



T&S BRASS AND BRONZE WORKS, INC.
 2 Saddleback Cove / P.O. Box 1088
 Travelers Rest, SC 29690

Model No.
B-7142-U01WS8BC

Item No.

Travelers Rest, SC: 800-476-4103 • Simi Valley, CA: 800-423-0150 • Fax: 864-834-3518 • www.tsbrass.com

This Space for Architect/Engineer Approval

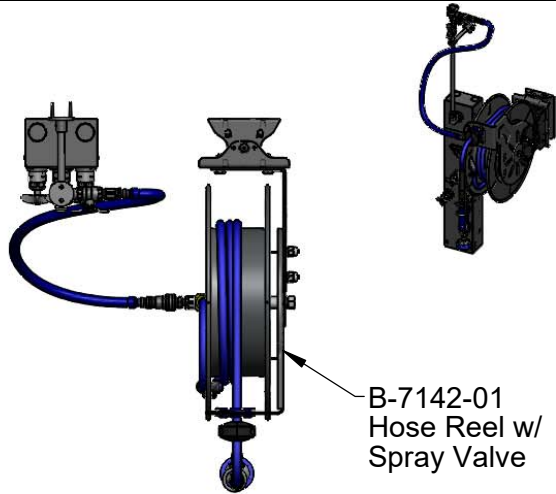
Job Name _____ Date _____

Model Specified _____ Quantity _____

Customer/Wholesaler _____

Contractor _____

Architect/Engineer _____



B-7142-01
 Hose Reel w/
 Spray Valve

B-0963
 Continuous Pressure
 Vacuum Breaker w/
 Integral Check Valve

3/8" NPT x 36"
 Flexible Water
 Connector

EasyInstall
 3/8" NPT x 18" Riser

Stainless Steel
 Quick Disconnect

B-0109-01
 6" Wall
 Bracket

25"
 [635mm]

019652-40
 3/8" NPT
 Live Swivel

EB-0107
 High Flow
 Spray Valve

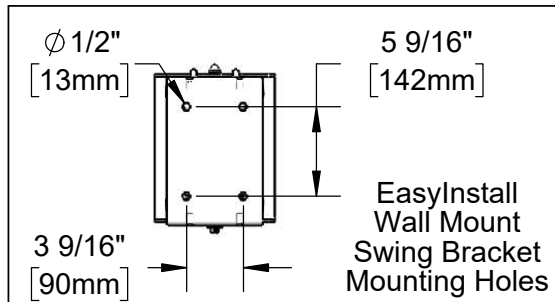
Swivel Elbow w/
 Ø2" [51mm] Flange,
 1/2" NPT Female Inlet

32"
 [813mm]

4-Arm Handles &
 Quarter-Turn Cerama
 Cartridges w/ Check Valves

1/2" NPT
 Female
 Union Inlets

6"
 [152mm]



EasyInstall
 Wall Mount
 Swing Bracket
 Mounting Holes

Product Specifications:

Stainless Steel Hose Reel w/ 50' Hose, High Flow Spray Valve w/ Swivel, EasyInstall SS Surface Mount Hose Reel Cabinet w/ Mixing & Control Valve, Four Arm Handles, Quarter-Turn Ceramas w/ Check Valves, Dual Check Valves, Inlets for Bottom Supplies, 100 Deg EasyInstall Stainless Steel Swing Bracket w/ Mounting Hardware & Hose Reel Connector Kit

Product Compliance:

NSF 61 Exempt (Non-Potable)
 ASSE 1056 (VB)
 2019 DOE PRSV Non-Compliant



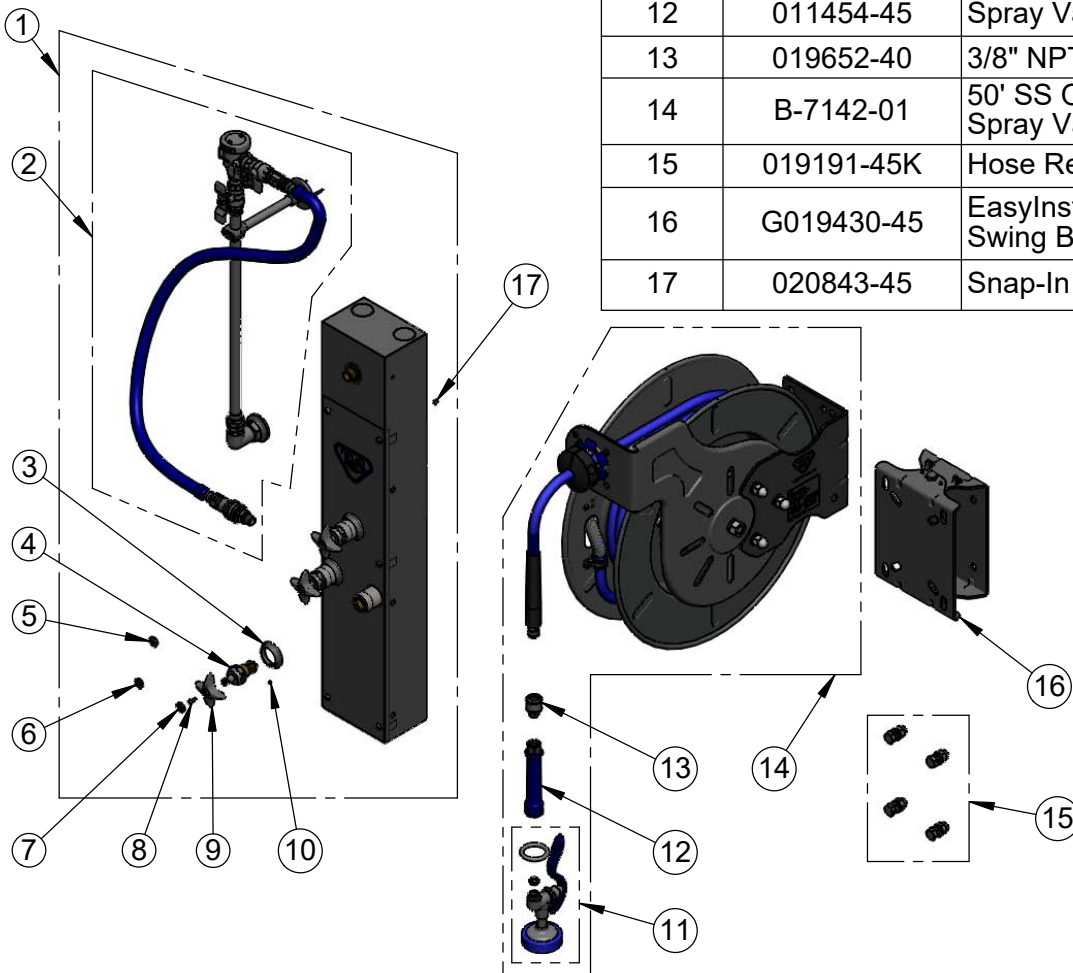
T&S BRASS AND BRONZE WORKS, INC.
 2 Saddleback Cove / P.O. Box 1088
 Travelers Rest, SC 29690

Model No.
B-7142-U01WS8BC

Item No.

Travelers Rest, SC: 800-476-4103 • Simi Valley, CA: 800-423-0150 • Fax: 864-834-3518 • www.tsbrass.com

ITEM NO.	SALES NO.	DESCRIPTION
1	B-1460-SMB-CR	EasyInstall Surface Mount Hose Reel Cabinet w/ Bottom Inlets & Ceramas
2	0RK-SK	Hose Reel Connector Kit
3	020839-40	Narrow Slip Flange w/ Set Screw
4	012394-25NS	Quarter-Turn Cerama Cartridge w/ Check Valve, RTC
5	001205-19NS	White Button Index, Press-In
6	001193-19NS	Red Button Index, Press-in
7	018506-19NS	Blue Button Index, Press-in
8	000925-45	Lab Handle Screw
9	002521-45NS	4-Arm Handle (New Style)
10	000939-45	Escutcheon, Set Screw
11	EB-0107	High Flow Spray Valve, Blue
12	011454-45	Spray Valve Handle - Blue
13	019652-40	3/8" NPT Live Swivel
14	B-7142-01	50' SS Open Hose Reel w/ High Flow Spray Valve
15	019191-45K	Hose Reel Mounting Kit
16	G019430-45	EasyInstall Hose Reel Stainless Steel Swing Bracket
17	020843-45	Snap-In Plug (Pack of 10)



Product Specifications:

Stainless Steel Hose Reel w/ 50' Hose, High Flow Spray Valve w/ Swivel, EasyInstall SS Surface Mount Hose Reel Cabinet w/ Mixing & Control Valve, Four Arm Handles, Quarter-Turn Ceramas w/ Check Valves, Dual Check Valves, Inlets for Bottom Supplies, 100 Deg EasyInstall Stainless Steel Swing Bracket w/ Mounting Hardware & Hose Reel Connector Kit

Product Compliance:

NSF 61 Exempt (Non-Potable)
 ASSE 1056 (VB)
 2019 DOE PRSV Non-Compliant