



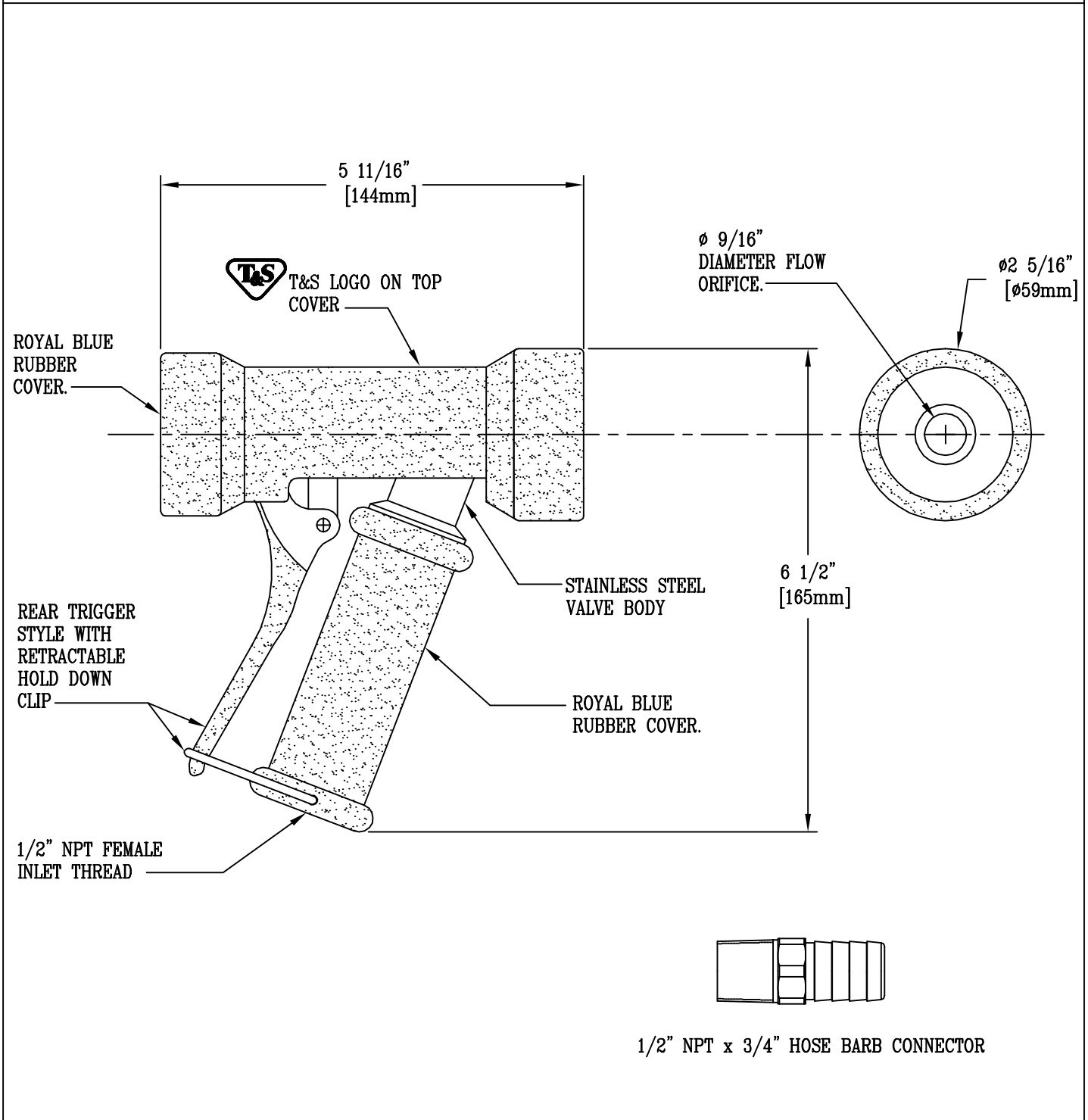
T&S BRASS AND BRONZE WORKS, INC.
 2 SADDLEBACK COVE / P.O. BOX 1088 / TRAVELERS REST, SC 29690
 PHONE 800-476-4103 - FAX 864- 834-3518



Model No.
 MV-2516-42
**RELIABILITY
 BUILT IN**

Job Name: _____ Architect/Engineer Approval: _____

Notes: _____



Product Description: STAINLESS STEEL WATER GUN, REAR TRIGGER, 9/16" FLOW ORIFICE, RUBBER COVER WITH 1/2" NPT x 3/4" HOSE BARB CONNECTOR	Drawn:	Checked:	Scale:
	LEL	JKD	1 : 2
	Approved:	Date:	
MVW	12/12/02		