



PUMPS {POUCHED PRODUCTS} EXPRESS™ SINGLES

Model SE

Date:

Project:

Quantity:

Item Number:



THIN THICK PARTICULATE
See category tab for details.



Warranty

Server Products equipment is backed by a two-year limited warranty against defects in materials and workmanship. For our complete warranty statement, see our web site or contact us.

Bid Description

Constructed of black thermoset polyester vessel, surgical-quality plastic pump, and polished stainless steel lid. The Server Express™ (for smooth condiments) is ready for countertop or drop-in use.

Capacity is 1½ gallons (or 6 L). Maximum stroke yields 1 ounce (30 mL). Easy-to-adjust portion control reduces yield in ¼ ounce (7 mL) increments. Exclusively uses a Cryovac® pouch with 16 mm fitment. The Server Express™ System achieves up to 98% evacuation.

Standard Features

Holds 1½ gallon (or 6 L) Cryovac® pouch

Constructed of black thermoset polyester

Ready for countertop or drop-in use

New Server pump is constructed of surgical-quality plastic parts—quick to breakdown and completely dishwasher safe

Pump is ADA compliant, at ½ oz and ¼ oz portions, requiring less than 5 lbs of pressure to dispense

Maximum stroke yields 1 ounce (30 mL)

Easy-to-adjust portion control in ¼ ounce (7 mL) increments

Discharge tube fitting — **new** design works with ketchup, mustard and mayonnaise

(2) cleaning brushes included for pump maintenance

Server Express™ Accessories

- Duckbill Discharge Fitting 07454
- Replacement Pump 07537
- Decal Set: Ketchup, Mustard, Mayonnaise 07131
- Single Drip Tray Assembly 07291

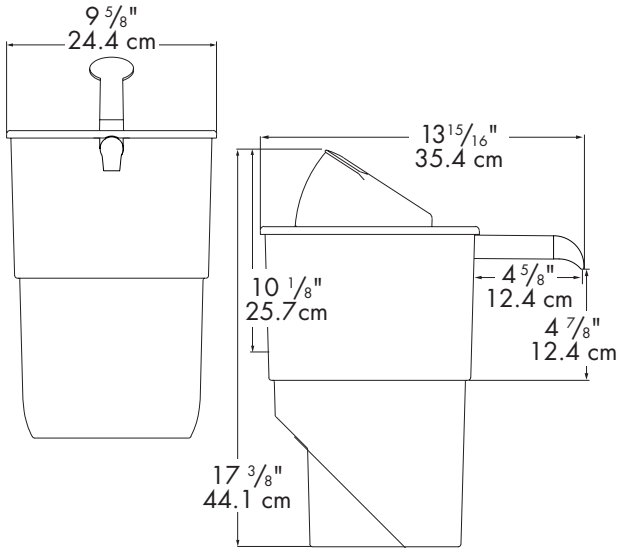
Specifications on reverse side



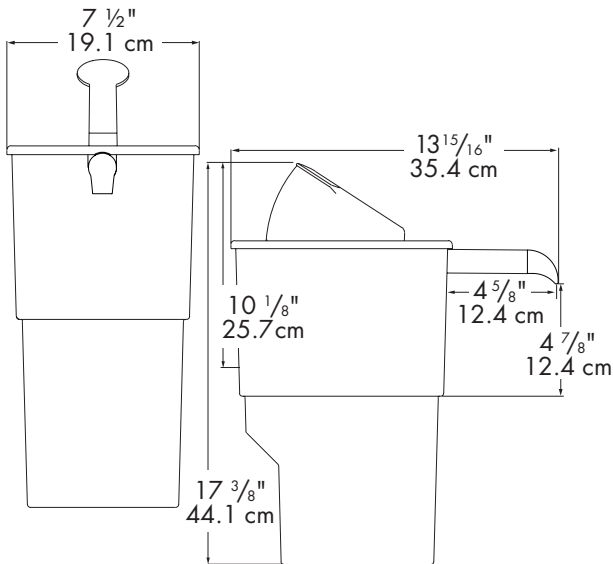
PUMPS {POUCHED PRODUCTS} EXPRESS™ SINGLES

Model SE

Server Express™ Round SE 07010



Server Express™ Rectangular SE 07000



Specifications

Model	SE 07010		
Construction	Black, thermoset polyester vessel with surgical-quality plastic pump and polished stainless steel lid.		
Capacity	1 1/2 gallons (or 6 L) capacity		
Dimensions	<u>Height</u>	<u>Width</u>	<u>Depth</u>
	in 17 3/8	9 5/8	13 15/16
	cm 44.1	24.4	35.4
Cutout Size	8 1/2" (21.6 cm) diameter		
Weight	8 lb (3.6 kg)		
Model	SE 07000		
	Same as above except:		
Dimensions	<u>Height</u>	<u>Width</u>	<u>Depth</u>
	in 17 3/8	7 1/2	13 15/16
	cm 44.1	19.1	35.4
Cutout Size	6 3/8 x 8 1/2" (16.2 x 21.6 cm)		
Accessory	Brushed (#4) finish, stainless steel shroud (67697). Slides over portion that drops in for a finished look in countertop applications.		



Cryovac® is a registered trademark and a trade name of Cryovac Inc.

FOB Richfield, Wisconsin 53076

CAD Library

Individual CAD images can be downloaded from product pages on our web site. We are also a member of The KCL CADalog with more than 100 other manufacturers. Our complete collection of CAD files can be purchased through Kochman Consultants, Ltd. at kclcad.com.

