



PUMPS {SOLUTION™, PLASTIC} INSET & STEAM TABLE PANS

Models PS-1/6, PS-1/4
PS-1/3, PS-6 1/2
PS-8 1/2, PS-10 1/2

Date:

Project:

Quantity:

Item Number:



PS-1/4 83210



PS-8 1/2 82170



THIN THICK PARTICULATE
See category tab for details.



Warranty

Server Products equipment is backed by a two-year limited warranty against defects in materials and workmanship. For our complete warranty statement, see our web site or contact us.

Bid Description

Server Solution™ pumps are designed to dispense a wide range of products from syrups to some relishes simply by choosing one of the (3) discharge fittings (included). The polycarbonate pump parts are dishwasher safe and replaceable. Maximum stroke yields 1 ounce (30 mL) with gauging collars supplied to reduce yield in 1/4 ounce (7 mL) increments.

The PS-1/6, PS-1/4 and PS-1/3 pumps are designed to fit directly on the corresponding standard size steam table pan (not included). Includes polycarbonate pump and stainless steel lid.

Each of the PS-6 1/2, PS-8 1/2 and PS-10 1/2 pumps are designed to fit directly on a standard size vegetable inset (not included). Includes polycarbonate pump and stainless steel lid.

Standard Features

Durable polycarbonate pump with stainless steel lid

Dishwasher safe for easy clean up

Pump a wide range of products from syrups to some relishes

Maximum stroke yields 1 ounce (30 mL)

Easy-to-adjust portion control in 1/4 ounce (7 mL) increments

(3) discharge fittings to accommodate various food products

(2) cleaning brushes included for pump maintenance

Server Solution™ Pump Accessories

- 1/6-size, 6" (15.2 cm) deep pan 90089
- 1/4-size, 6" (15.2 cm) deep pan 90086
- 1/3-size, 6" (15.2 cm) deep pan 90083
- 6 1/2" (16.5 cm) vegetable inset 81031
- 8 1/2" (21.6 cm) vegetable inset 84031
- 10 1/2" (26.7 cm) vegetable inset 84131
- Spout-side cleaning brush 82049
- Cylinder-side cleaning brush 82526

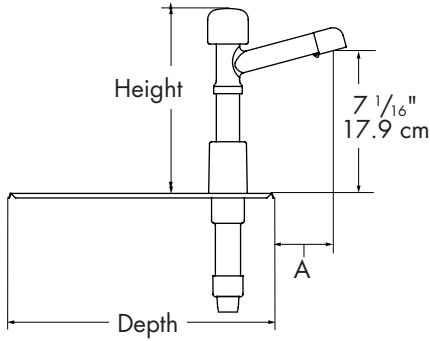
Specifications on reverse side



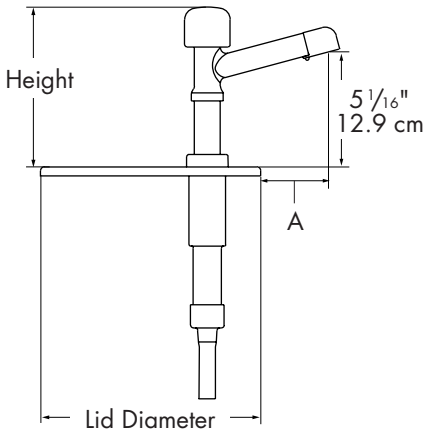
PUMPS {SOLUTION™, PLASTIC} INSET & STEAM TABLE PANS

Models PS-1/6, PS-1/4
PS-1/3, PS-6 1/2
PS-8 1/2, PS-10 1/2

Pumps for: Steam Table Pans— PS-1/6, PS-1/4 and PS-1/3



Product Containers— PS-6 1/2, PS-8 1/2 and PS-10 1/2



Specifications

Construction	Polycarbonate pump with stainless steel lid.		
Dimensions	Measurements are shown above pan, inset or jar.		

Models	PS-1/6 83190	PS-1/4 83210	PS-1/3 83340
Capacity	2.7 qt 2.6 L	4.5 qt 4.3 L	6.1 qt 5.8 L
Height	in 9 1/8 cm 23.2	in 9 1/8 cm 23.2	in 9 1/8 cm 23.2
Width	in 6 1/2 cm 16.5	in 6 5/8 cm 16.8	in 7 1/8 cm 18.1
Depth	in 7 1/8 cm 18.1	in 10 1/2 cm 26.7	in 13 1/16 cm 33.4
Dim. A	in 3 1/8 cm 7.9	in 3 1/8 cm 7.9	in 3 1/8 cm 7.9
Weight	lb 2 kg .9	lb 2 kg .9	lb 2 kg .9

Models	PS-6 1/2 82090	PS-8 1/2 82170	PS-10 1/2 82160
Capacity	4 qt 3.8 L	7 qt 6.6 L	11 qt 10.4 L
Height (above jar)	in 7 1/8 cm 18.1	in 7 1/8 cm 18.1	in 7 1/8 cm 18.1
Lid Dia.	in 7 9/16 cm 19.2	in 9 5/8 cm 24.5	in 11 7/16 cm 29.1
Cutout Dia.*	in 6 1/2 cm 16.5	in 8 1/2 cm 21.6	in 10 1/2 cm 26.7
Dim. A	in 3 1/16 cm 7.8	in 3 1/16 cm 7.8	in 3 1/16 cm 7.8
Weight	lb 2 kg .9	lb 3 kg 1.4	lb 3 kg 1.4

* Dimension varies according to inset mfg.

FOB Richfield, Wisconsin 53076

CAD Library

Individual CAD images can be downloaded from product pages on our web site. We are also a member of The KCL CADalog with more than 100 other manufacturers. Our complete collection of CAD files can be purchased through Kochman Consultants, Ltd. at kclcad.com.



Server Products, Inc. • P.O. Box 98 • Richfield, WI 53076 • Toll Free: 800-558-8722
P: 262-628-5600 • F: 262-628-5110 • spsales@server-products.com • server-products.com

Server Products, Inc. reserves the right to modify specifications without obligation. Printed in USA

10-2008/.5M Stock #02061