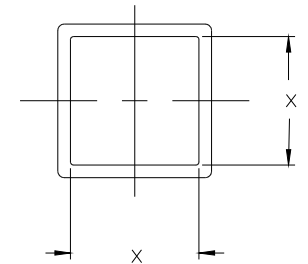
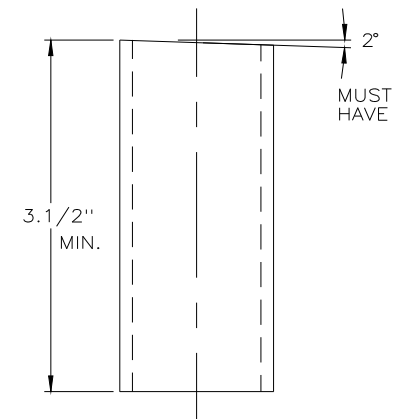
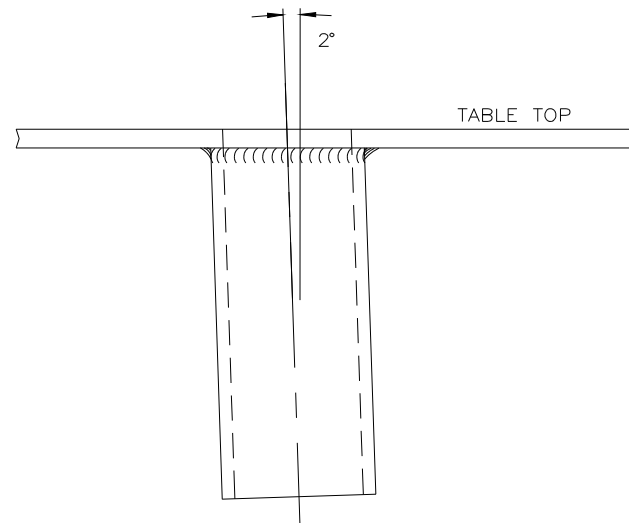
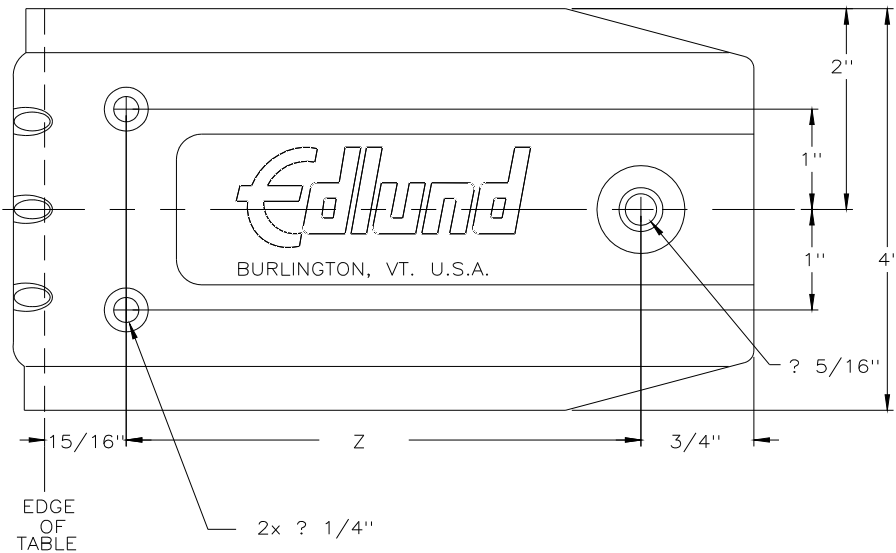


HOLE IN TABLE ASSEMBLY



- X = 1.280 FOR #1
- X = .980 FOR #2
- X = .904 FOR #S11, #U-12, #G-2



BASE HOLE LOCATION

- Z = 5.1/8" FOR #1 REGULAR BASE
- Z = 5.3/8" FOR #1 CAST BASE
- Z = 5.1/8" FOR #2 & 8 REGULAR BASE
- Z = 5.3/8" FOR #2 CAST BASE
- Z = 5.1/8" FOR #S11 CAST BASE
- Z = 5.1/8" FOR #G2 BASE
- Z = 5.1/8" FOR #U12 BASE

UNLESS OTHERWISE SPECIFIED
Tolerances On:
 Fractional Dimensions +/- 1/64
 Decimal Dimensions +/- .005
 Angular Dimensions +/- 1°

DWG NAME

CUTOUT ON TABLES FOR BASES



DRAWN BY: **MJA**
 APPROVED BY: **LSB**
 DATE: **10/30/01**

MODEL: -
 REF: **NONE**
 SCALE: **1:2**

DWG NO.

BASE

1 of 1

REV **A**