

APPLICATION:

PRODUCT NAME:
FAUCET 8SAWWH 03SRV

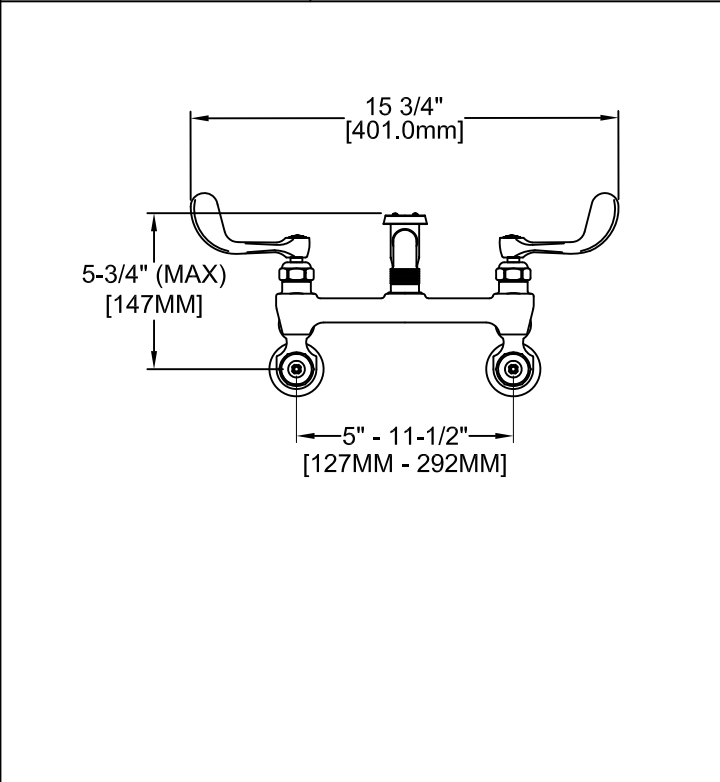
JOB NAME:

MODEL:

QUANTITY:

ITEM NO.:

18066 FAUCET 8SAWWH 03SRV



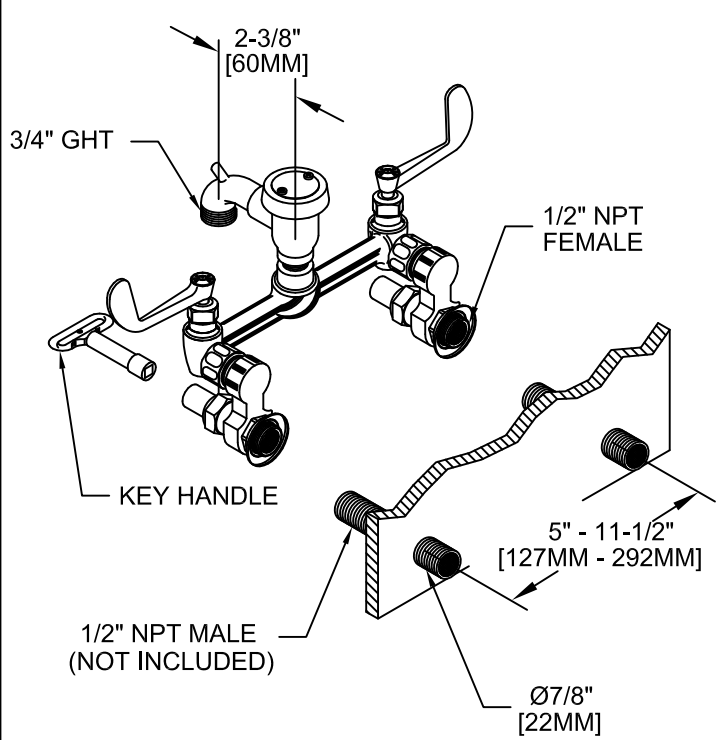
OPTIONS OR MODIFICATIONS:
 OTHER _____

- FEATURES**
- CONTROL VALVE**
- * KEY-STOP ECCENTRICS ADJUST FROM 5" TO 11-1/2"
 - * INTERNAL SPRING LOADED CHECK VALVES
 - * SWIVELLING SEAT DISKS
 - * HOT SIDE STEM - RIGHT HAND
 - * COLD SIDE STEM - LEFT HAND
 - * ECCENTRICS STEMS - RIGHT HAND - SWIVELLING SEAT DISKS
 - * STAINLESS STEEL SEATS
 - * STAINLESS STEEL SEAT SCREWS
 - * STAINLESS STEEL HANDLE SCREWS
 - * ATMOSPHERIC VACUUM BREAKER

- SYSTEM LIMITS**
- * TEMP: 40°F MIN. TO 160°F MAX.
 - * PRESSURE: 200 PSI MAX. STATIC

SHIPPING WEIGHT
* 6.85 LBS

ROUGH-IN:



WARNING:
Proposition 65 requires that we provide you with the following notice: "This product Contains A Chemical Known To The State Of California To Cause Cancer Or Birth Defects Or Other Reproductive Harm."