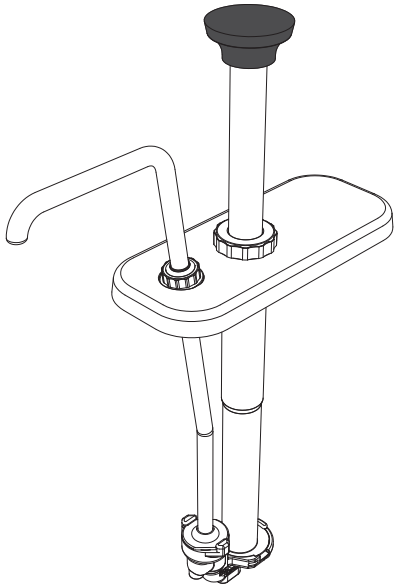


## 85300 Fountain Pump FP-V, Slim



Complete View for Reference

PART	QTY	DESCRIPTION
82023	1	KNOB
82021	1	COLLAR, LOCKING
82022	4	COLLAR, GAGING- .25 OZ REDUCTION
83529	1	COLLAR, GAGING- .125 OZ REDUCTION
82078	1	TUBE, HEAD
82018	1	INSERT, HEAD
82077	1	SPRING, 10"
82015	1	WASHER
82076	1	PISTON, 8.407
83003	1	SEAL ASSEMBLY
83187	1	LID, FP-V SLIM
82027	1	NUT, DISCHARGE TUBE
82487	1	TUBE, DISCHARGE ASSEMBLY, FP, 8.5, 10"
05127	1	O-RING, 1"
82348	1	CYLINDER ASSEMBLY
82323	1	O-RING, 1-5/16"
82431	1	BODY, VALVE ASSEMBLY (INCLUDES 82323)
40179	1	LUBRICANT, FOOD EQUIPMENT
82049	1	BRUSH, 11"
82526	1	BRUSH, 21"

