



T&S BRASS AND BRONZE WORKS, INC.
 2 Saddleback Cove / P.O. Box 1088
 Travelers Rest, SC 29690

Model No.
S-1115-LN

Item No.

Travelers Rest, SC: 800-476-4103 • Simi Valley, CA: 800-423-0150 • Fax: 864-834-3518 • www.tsbrass.com

EVERSTEEL



ADA Compliant

This Space for Architect/Engineer Approval

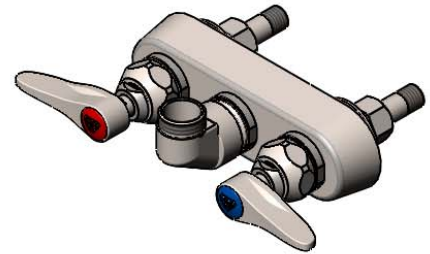
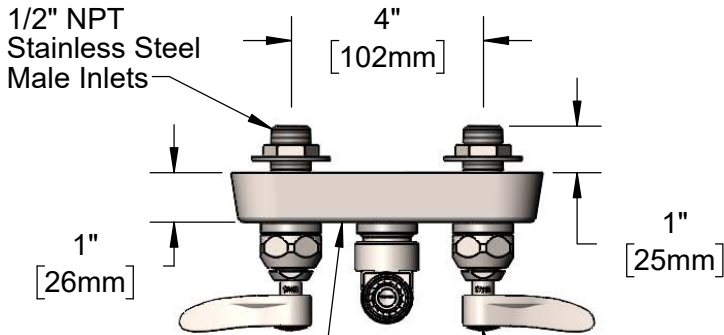
Job Name _____ Date _____

Model Specified _____ Quantity _____

Customer/Wholesaler _____

Contractor _____

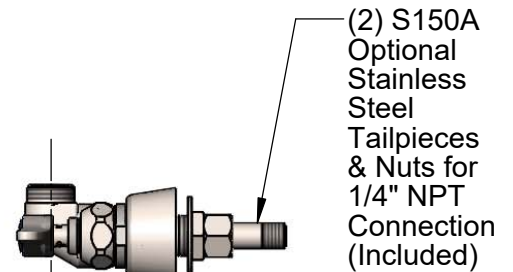
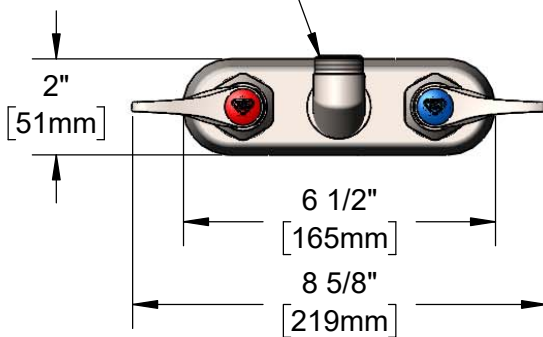
Architect/Engineer _____



Stainless Steel Escutcheon

Stainless Steel Quarter-Turn Eterna Cartridges w/ Spring Checks & Stainless Steel Lever Handles w/ Color Coded Indexes

Swivel Outlet Accepts Stainless Steel T&S Swing Nozzles. Converts to Rigid w/ 014200-45 Lock Washer (Included)



(2) S150A Optional Stainless Steel Tailpieces & Nuts for 1/4" NPT Connection (Included)

2 5/8" [66mm]
 1/4" [6mm] Maximum Thickness
 Mounting Surface

Rough-In Requirement:
 (2) \varnothing 1" [25mm] Mounting Holes

Product Specifications:

4" Stainless Steel Wall Mount Workboard Faucet Less Nozzle, Stainless Steel Quarter-Turn Eterna Cartridges w/ Spring Checks, Stainless Steel Lever Handles & 1/2" NPT Stainless Steel Male Inlets

Product Compliance:

ASME A112.18.1 / CSA B125.1
 NSF 61 - Section 9
 NSF 372 (Low Lead Content)
 ANSI A117.1 (ADA)



T&S BRASS AND BRONZE WORKS, INC.

2 Saddleback Cove / P.O. Box 1088
Travelers Rest, SC 29690

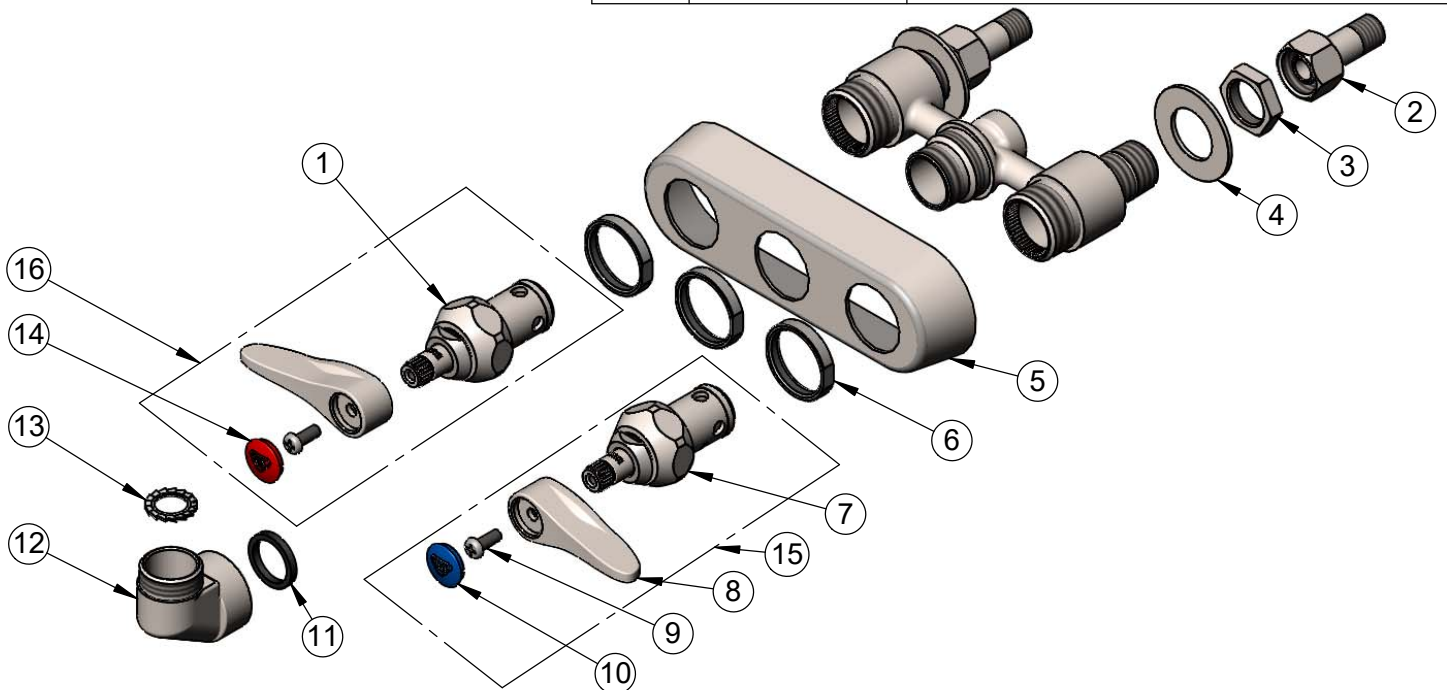
Model No.

S-1115-LN

Item No.

Travelers Rest, SC: 800-476-4103 • Simi Valley, CA: 800-423-0150 • Fax: 864-834-3518 • www.tsbrass.com

ITEM NO.	SALES NO.	DESCRIPTION
1	S012442-30NS	SS Quarter-Turn Eterna Cartridge w/ Spring Check, LTC
2	S150A	Stainless Steel 1/4" NPT Tailpiece & Nut
3	S002954-20	Stainless Steel Shank Lock Nut
4	S000999-20	Stainless Steel Lock Washer
5	S019374-30	S-1110 Stainless Steel Workboard Escutcheon
6	S019376-30	Escutcheon Lock Nut
7	S012443-30NS	Stainless Steel Quarter-Turn Eterna Cartridge, RTC
8	S001638-30NS	Lever Handle (New Style)
9	000925-45	Lab Handle Screw
10	018506-19NS	Blue Button Index, Press-in
11	001040-45	Washer, 3/4 ID x 15/16 OD x 1/8 thick
12	S000082-30	Stainless Steel Knob 90° Elbow
13	014200-45	Star Washer, Anti-Rotation
14	001193-19NS	Red Button Index, Press-in
15	S019639-30	SS Quarter-Turn Eterna Cartridge RTC w/ Spring Check, Handle, Blue Index & Screw
16	S019638-30	SS Quarter-Turn Eterna Cartridge LTC w/ Spring Check, Handle, Red Index & Screw



Product Specifications:

4" Stainless Steel Wall Mount Workboard Faucet Less Nozzle, Stainless Steel Quarter-Turn Eterna Cartridges w/ Spring Checks, Stainless Steel Lever Handles & 1/2" NPT Stainless Steel Male Inlets

Product Compliance:

ASME A112.18.1 / CSA B125.1
NSF 61 - Section 9
NSF 372 (Low Lead Content)
ANSI A117.1 (ADA)