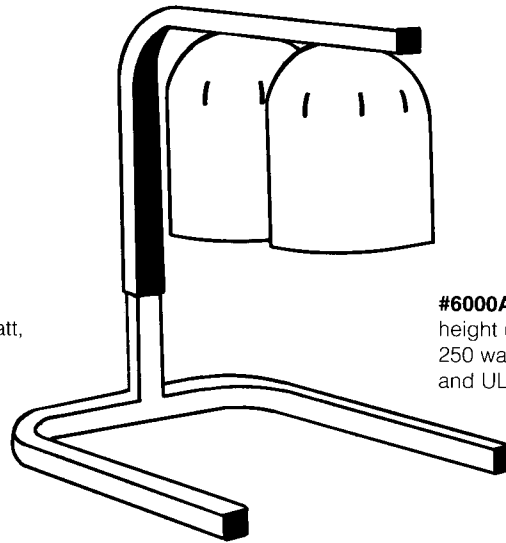
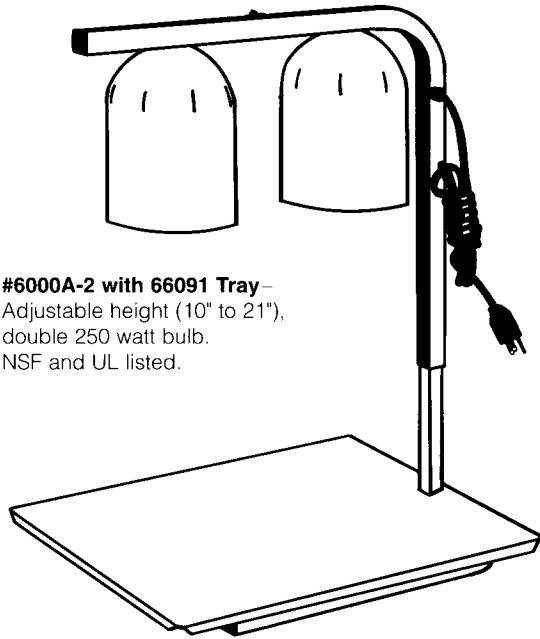


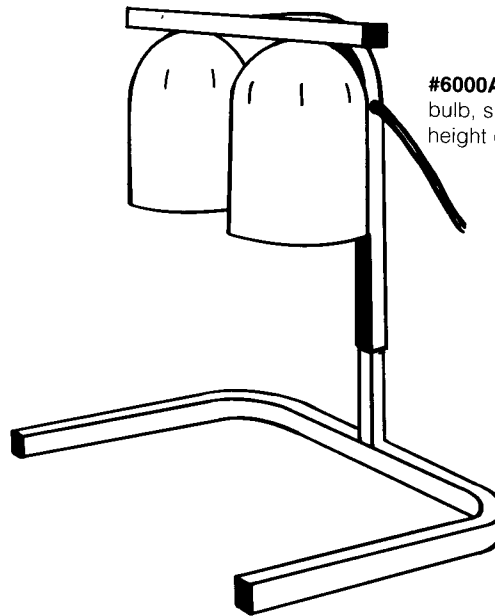
#6000A-1—Adjustable height (10" to 21"), 250 watt, single bulb unit. NSF and UL listed.



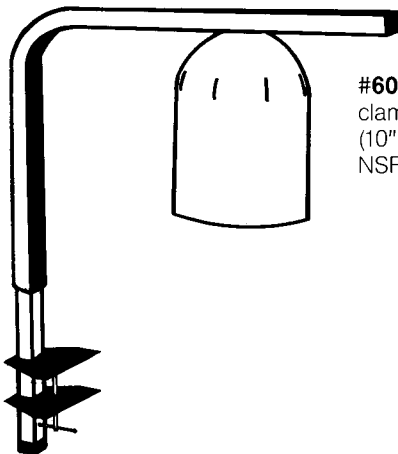
#6000A-2—Adjustable height (10" to 21"), double 250 watt bulb unit. NSF and UL listed.



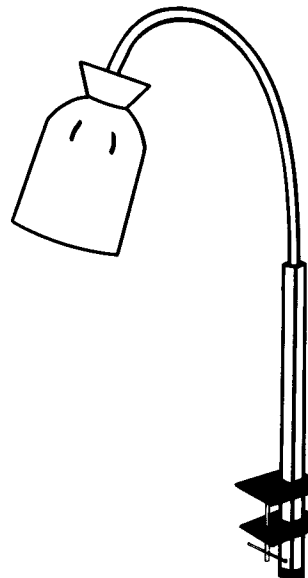
#6000A-2 with 66091 Tray—Adjustable height (10" to 21"), double 250 watt bulb. NSF and UL listed.



#6000A-2s—Double 250 watt bulb, side mount, adjustable height (10" to 21") unit.

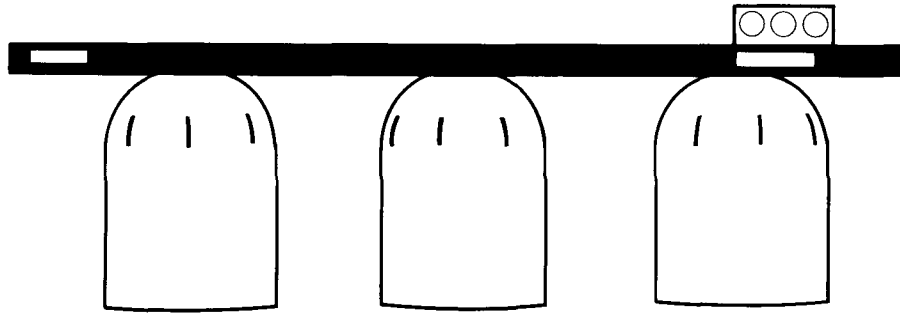


#6004-1—Single bulb, clamp unit. Adjustable height (10" to 21"). 250 watts. NSF listed.

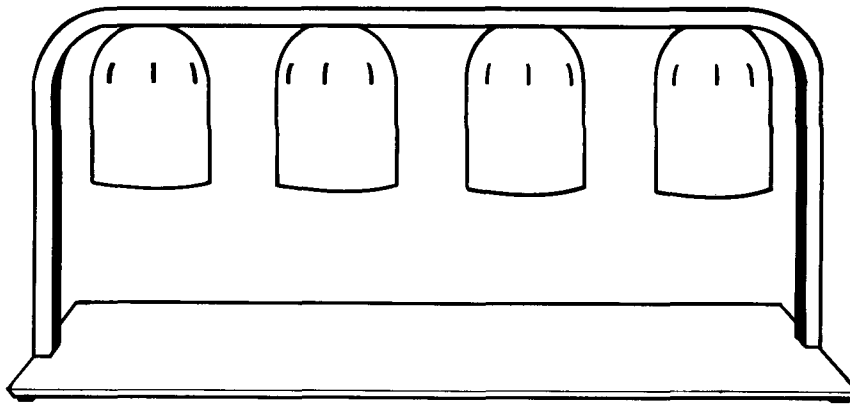


#6004-4—Single bulb, clamp unit with adjustable gooseneck. 250 watts. NSF listed.

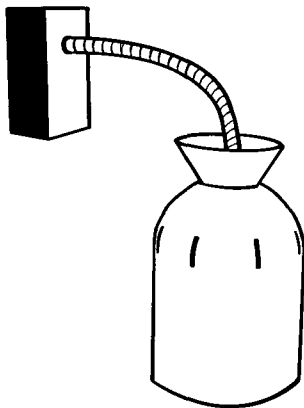
INFRARED BULB WARMERS



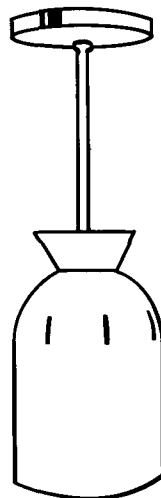
#6006-3—Single row suspension bar, chain hung. Three 250 watt bulbs. Unit measures 31½" x 9" x 10½". Two bulb up to eight bulb models are available as well as double row versions.



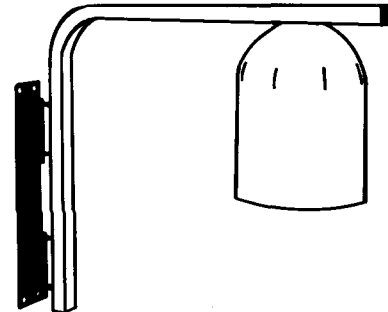
#6009-4—Portable counter unit with four 250 watt bulbs. Four bulb unit measures 40" x 14" x 20½". Models with two bulbs up to 8 bulbs are also available as well as double row versions. NSF and UL listed.



#6014—Flexible gooseneck, wall mounted unit with a single 250 watt bulb.



#6002—Ceiling mounted, single 250 watt bulb unit. 6' cord. Also available with a 4' tube as model #6003.



#6013-1—Wall mounted swivel unit. 250 watts. Size is 22" x 10" x 18". Two bulb units are also available.