



Outperform every day.™

Project:  
Item Number:  
Quantity:

Cayenne® Heavy-Duty Flat Top Gas Griddles

The Vollrath Company, L.L.C.

## CAYENNE® HEAVY-DUTY FLAT TOP GAS GRIDDLES



924GGM



924GGT

### DESCRIPTION

Vollrath's Cayenne® heavy-duty gas flat top gas griddles provide a simple and effective way to prepare high volumes of food in an economical, safe and hassle-free way. These griddles are ideally suited for use in steak houses, restaurants, coffee shops, clubs and pubs.

### WARRANTY

All models shown come with Vollrath's standard warranty against defects in materials and workmanship. For full warranty details, please refer to [www.Vollrath.com](http://www.Vollrath.com).

### AGENCY LISTINGS



Due to continued product improvement, please consult [www.vollrath.com](http://www.vollrath.com) for current product specifications.

### ITEMS

Item No.	Model No.	Description
<b>Heavy-Duty Griddles</b>		
924GGM	FTG2024	24" Gas Griddle
936GGM	FTG2026	36" Gas Griddle
948GGM	FTG2048	48" Gas Griddle
960GGM	FTG2060	60" Gas Griddle
972GGM	FTG2072	72" Gas Griddle
<b>Thermostatically Controlled Heavy-Duty Griddles</b>		
924GGT	FTT2024	24" Gas Griddle
936GGT	FTT2036	36" Gas Griddle
948GGT	FTT2048	48" Gas Griddle
960GGT	FTT2060	60" Gas Griddle
972GGT	FTT2072	72" Gas Griddle

### FEATURES

- Custom stainless steel, U-shaped 30,000 BTU burners
- Burners placed every 12" (30.5 cm) for 30,000 BTU per 12" of cooking surface
- All stainless steel exterior
- Shipped set up for natural gas, includes kit for conversion to propane
- Includes regulator and gas valve
- Polished 1" (2.5 cm) thick, welded steel griddle plate for even heat distribution and retention, and eliminates grease and dirt traps
- Grease trays are sized to fit into a commercial dishwasher for easier cleaning
- Heavy-duty adjustable legs
- Heavy-duty 3mm thick back and side splashes contain splash and keep food on the unit
- All metal knobs and knob guards protect gas valves from damage and won't break or crack and are **GUARANTEED FOR LIFE**
- ¾" NPT gas inlet
- Thermostatically controlled griddles maintain user settings to ensure consistent surface temperature

### CLEARANCE AND POSITIONING

This appliance must be installed adjacent to non-combustible surfaces only, with a minimum of 6" (15.2 cm) from all sides. This appliance must be a minimum distance of 6" (15.2 cm) from another appliance. The appliance must have the supplied 4" (10.2 cm) legs installed and be placed on a non-combustible surface.

Approvals	Date



Outperform every day.™

[www.vollrath.com](http://www.vollrath.com)

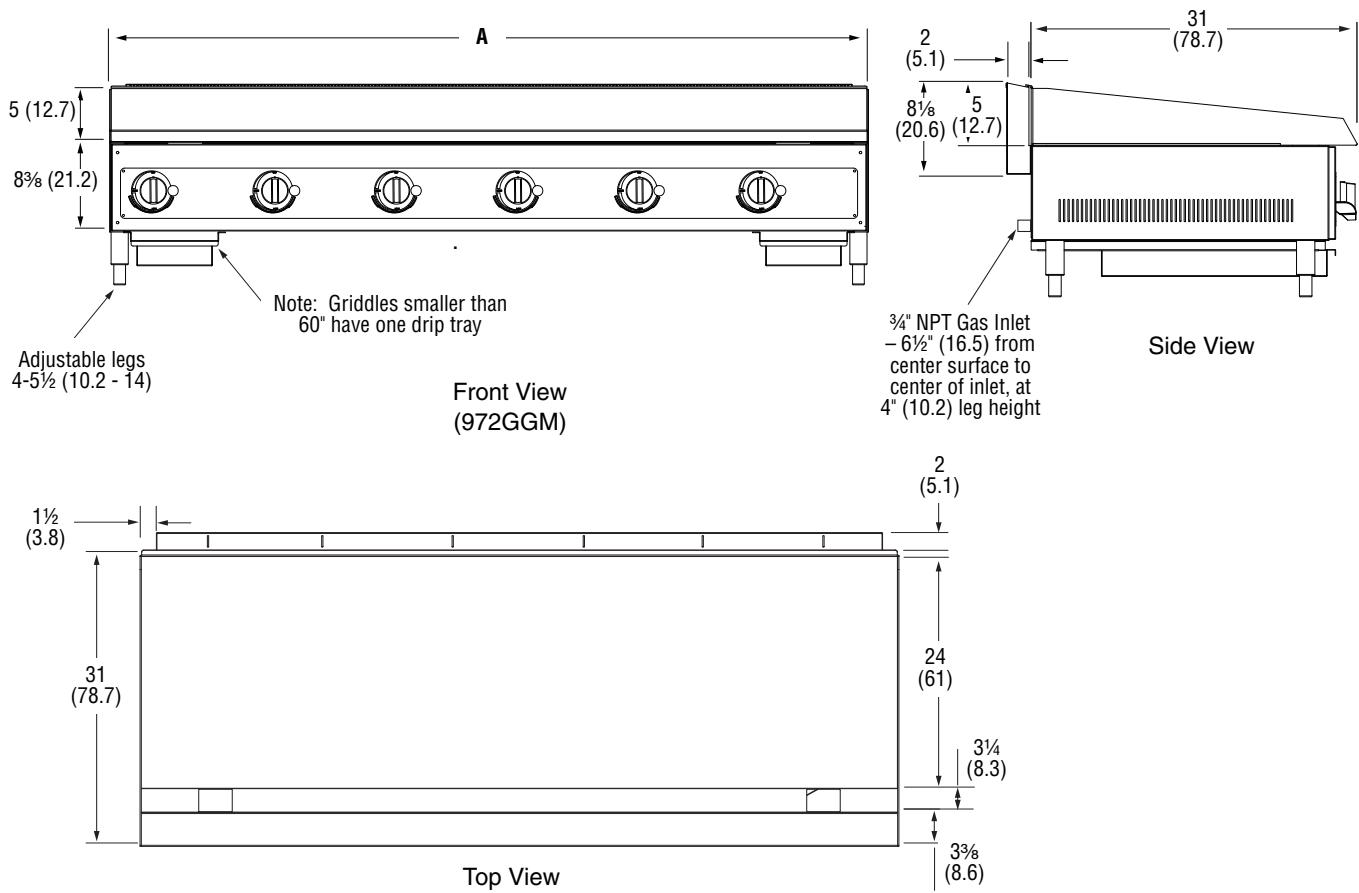
### The Vollrath Company, L.L.C.

1236 North 18th Street  
Sheboygan, WI 53081-3201 U.S.A.  
Main Tel: 800.624.2051 or 920.457.4851  
Main Fax: 800.752.5620 or 920.459.6573  
Customer Service: 800.628.0830  
Canada Customer Service: 800.695.8560

Technical Services  
[techservicereps@vollrathco.com](mailto:techservicereps@vollrathco.com)  
Induction Products: 800.825.6036  
Countertop Warming Products: 800.354.1970  
All Other Products: 800.628.0832

# CAYENNE® HEAVY-DUTY FLAT TOP GAS GRIDDLES

## DIMENSIONS (Shown in inches (cm))



## SPECIFICATIONS

Item No.		(A) Width	Number of Burners	Output (BTU)	Pilot Type	Number of Drip Trays
Manual Control	Thermostatic Control					
924GGM	924GGT	24 (61)	2	60,000	Standing	1
936GGM	936GGT	36 (91.4)	3	90,000		
948GGM	948GGT	48 (121.9)	4	120,000		
960GGM	960GGT	60 (152.4)	5	150,000	Standing	2
972GGM	972GGT	72 (182.9)	6	180,000		



Outperform every day.™

[www.vollrath.com](http://www.vollrath.com)

### The Vollrath Company, L.L.C.

1236 North 18th Street  
 Sheboygan, WI 53081-3201 U.S.A.  
 Main Tel: 800.624.2051 or 920.457.4851  
 Main Fax: 800.752.5620 or 920.459.6573  
 Customer Service: 800.628.0830  
 Canada Customer Service: 800.695.8560

Technical Services  
[techservicereps@vollrathco.com](mailto:techservicereps@vollrathco.com)  
 Induction Products: 800.825.6036  
 Countertop Warming Products: 800.354.1970  
 All Other Products: 800.628.0832