

**Sliding Stainless Steel Cover Included**



**D-24-IBL Shown**

Item #: \_\_\_\_\_ Qty #: \_\_\_\_\_  
 Model #: \_\_\_\_\_  
 Project #: \_\_\_\_\_

**FEATURES:**

11" deep ice bin.  
 Optional 7-Circuit cold plate sealed into the bottom.  
 Rubber thermal breaker reduces condensation.  
 Includes stainless steel sliding cover.

**MECHANICAL:**

1" IPS drain (non-cold plate models)  
 1/2" IPS drain (cold plate models)

**MATERIAL:**

**Ice Bin:** 20 gauge, 300 stainless steel  
**Jacket:** 20 gauge galvanized steel  
**Cover:** 20 gauge stainless steel  
**Ice Bin Insulation:** Foam Insulation  
**Molding:** Extruded black polyethylene thermal breaker marine edge

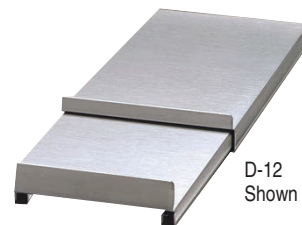
Model #	Dimension (L)	Dimension (B)	Cut Out Size W x L	Ice Capacity	Approx. Weight	Approx. Cu. Ft.
D-12-IBL	12"	6"	15 1/4" x 9 5/8"	23 lbs.	22 lbs.	3
D-24-IBL	21"	10 1/2"	15 1/4" x 20 3/8"	50 lbs.	39 lbs.	5
D-30-IBL	27"	13 1/2"	15 1/4" x 26 3/8"	62 lbs.	62 lbs.	8
D-36-IBL	33"	16 1/2"	15 1/4" x 32 3/8"	75 lbs.	67 lbs.	9

**With 7-Circuit Cold Plate**

D-24-IBL-7	21"	10 1/2"	15 1/4" x 20 3/8"	50 lbs.	84 lbs.	5
D-30-IBL-7	27"	13 1/2"	15 1/4" x 26 3/8"	62 lbs.	107 lbs.	8
D-36-IBL-7	33"	16 1/2"	15 1/4" x 32 3/8"	75 lbs.	113 lbs.	9

**REPLACEMENT ICE BIN COVERS**

Model #	For Use With:
D-12	D-12-IBL, D-24-WSIBL, D-24-WSIBL2, D-24-SIBL
D-24	D-24-IBL, D-24-IBL-7
D-24V	D-24-IBL, D-24-IBL-7 Units oriented with 18" dimension left-to-right
D-30	D-30-IBL, D-30-IBL-7
D-36	D-36-IBL, D-36-IBL-7



**D-12 Shown**

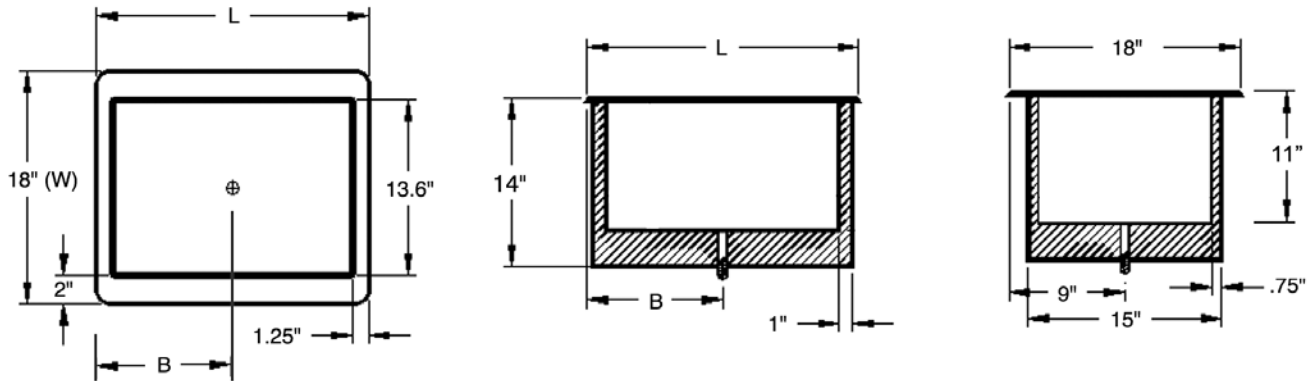
Cover designed to open front-to-rear, with 18" ice bin dimension front-to-rear.  
 (D-24-WSIBL2 opens left to right when installed with 21" front-to-rear)

# DIMENSIONS and SPECIFICATIONS

TOL Overall:  $\pm .500''$  Interior:  $\pm .250''$

ALL DIMENSIONS ARE TYPICAL

## Non-Cold Plate Models



## Cold Plate Models

