



STAINLESS STEEL  
**DISHTABLE  
UNDERCOUNTER**

**COMPACT - EFFICIENT - ECONOMICAL**



DTU-U60-48R Shown.  
(Dishwasher by others)

Item #: \_\_\_\_\_ Qty #: \_\_\_\_\_  
 Model #: \_\_\_\_\_  
 Project #: \_\_\_\_\_

**FEATURES:**

- Tile edge for ease of installation.
- Features a 5" deep bowl.
- Table is furnished with 10-1/2" splash with a 2" return.
- Stainless Steel Legs Stainless Steel Legs with Welded Cross Bracing with Stainless Steel Bullet Feet.

**CONSTRUCTION:**

- All TIG welded.
- Welded areas blended to match adjacent surfaces and to a satin finish.
- Gussets welded to a stainless steel support channel.

**MECHANICAL:**

- Faucet holes in SPLASH punched on 8" centers (Faucet not included).
- Waste Drain included.

**MATERIAL:**

- LEGS are 16 ga. 304 Stainless Steel.
- TOP with bowl, drainboard, splash and rolled rims are fabricated using 16 gauge stainless steel type "304" series.

Model #	Length	Wt.
DTU-U60-48L	48"	80 lbs.
DTU-U60-48R	48"	80 lbs.
DTU-U60-60L	60"	95 lbs.
DTU-U60-60R	60"	95 lbs.
DTU-U60-72L	72"	115 lbs.
DTU-U60-72R	72"	115 lbs.

Left or Right designation is determined by sink location.

**Optional  
Basket with Welded  
Slide Bar**



DTA-100

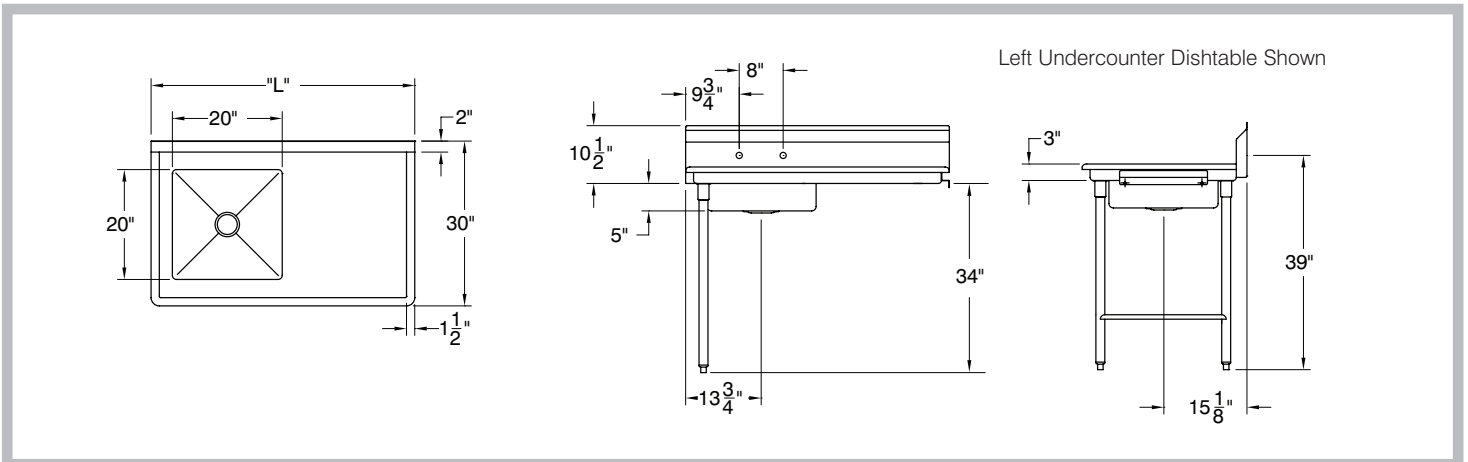
20" x 20"

ACCESSORIES	Model #
Faucet	
Prerinse Basket	

**DIMENSIONS and SPECIFICATIONS**

TOL ± .500"

ALL DIMENSIONS ARE TYPICAL



**Customer Service Available To Assist You 1-800-645-3166 8:30 am - 8:00 pm E.S.T.**

For Orders & Customer Service:  
 Email: customer@advancetabco.com or Fax: 631-242-6900

For Smart Fabrication™ Quotes:  
 Email: smartfab@advancetabco.com or Fax: 631-586-2933