



# FABRICATED ECONOMY SINKS

STAINLESS STEEL

## One & Two Compartments



FC-1-1818  
Shown



FC-2-1818-18R  
Shown



Rolled Rim Edge  
For Additional  
Strength



Fabricated Bowls are  
Welded Together at the  
Seams

Item #: \_\_\_\_\_ Qty #: \_\_\_\_\_  
 Model #: \_\_\_\_\_  
 Project #: \_\_\_\_\_

### FEATURES:

- Backsplash has tile edge for ease of installation.
- Sink bowls are 3/4" coved corner and meet NSF requirements.
- Rolled Rim Edge for additional strength.
- Sink Bowls are 14" deep for greater capacity.
- Adjustable front-to-back cross-bracing.

### MATERIAL:

- 1 5/8" diameter stainless steel legs with 1" adjustable stainless steel bullet feet.
- Entire unit is 16 gauge 304 stainless steel.
- Gussets - stainless steel.

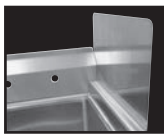
### MECHANICAL:

- Supply is 1/2" IPS hot & cold.
- Faucet holes on 8" centers.
- Faucets are not included (see accessories).
- Waste drains are 1 1/2" IPS S/S basket type, located in center of sink bowl, and are included.

### CONSTRUCTION:

- All TIG welded.
- Welded areas blended to match adjacent surfaces and to a satin finish.
- Gussets welded to a die-formed reinforced plate.

### OPTIONAL:



- K-700**
- Removable
- Side Splashes
- Fits Left OR Right
- Side

	MODEL #	Length L	Width W	Bowl Size A & B	Drbd. Length C	# of Drbrds.	Drbrd. Location	Wt
ONE COMPARTMENT	FC-1-1620	21"	26"		N/A	0	None	50 lbs.
	FC-1-1620-18RorL	36 1/2"	26"	16"x20"	18"	1	Specify	65 lbs.
	FC-1-1620-18RL	52"	26"		18"	2	R & L	80 lbs.
	FC-1-1818	23"	24"		N/A	0	None	60 lbs.
	FC-1-1818-18RorL	38 1/2"	24"		18"	1	Specify	65 lbs.
	FC-1-1818-24RorL	44 1/2"	24"	18"x18"	24"	1	Specify	70 lbs.
	FC-1-1818-18RL	54"	24"		18"	2	R & L	90 lbs.
	FC-1-1818-24RL	66"	24"		24"	2	R & L	100 lbs.
	FC-1-1824	23"	30"		N/A	0	None	67 lbs.
	FC-1-1824-18RorL	38 1/2"	30"		18"	1	Specify	105 lbs.
	FC-1-1824-24RorL	45"	30"	18"x24"	24"	1	Specify	115 lbs.
	FC-1-1824-18RL	54"	30"		18"	2	R & L	120 lbs.
FC-1-1824-24RL	66"	30"		24"	2	R & L	130 lbs.	
TWO COMPARTMENTS	FC-1-2424	29"	30"		N/A	0	None	90 lbs.
	FC-1-2424-18RorL	45"	30"		18"	1	Specify	118 lbs.
	FC-1-2424-24RorL	50 1/2"	30"	24"x24"	24"	1	Specify	123 lbs.
	FC-1-2424-18RL	60"	30"		18"	2	R & L	135 lbs.
	FC-1-2424-24RL	72"	30"		24"	2	R & L	145 lbs.
	FC-2-1515	35"	21"	15"x15"	N/A	0	None	78 lbs.
	FC-2-1620	37"	26"		N/A	0	None	85 lbs.
	FC-2-1620-18RorL	52 1/2"	26"	16"x20"	18"	1	Specify	100 lbs.
	FC-2-1620-18RL	68"	26"		18"	2	R & L	118 lbs.
	FC-2-1818	41"	24"		N/A	0	None	83 lbs.
	FC-2-1818-18RorL	56 1/2"	24"	18"x18"	18"	1	Specify	90 lbs.
	FC-2-1818-18RL	72"	24"		18"	2	R & L	105 lbs.
	FC-2-1818-24RL	84"	24"		24"	2	R & L	115 lbs.
	FC-2-1824	41"	30"		N/A	0	None	115 lbs.
	FC-2-1824-18RorL	56 1/2"	30"		18"	1	Specify	130 lbs.
	FC-2-1824-24RorL	62 1/2"	30"	18"x24"	24"	1	Specify	140 lbs.
FC-2-1824-18RL	72"	30"		18"	2	R & L	145 lbs.	
FC-2-1824-24RL	84"	30"		24"	2	R & L	160 lbs.	
FC-2-2424	53"	30"		N/A	0	None	138 lbs.	
FC-2-2424-18RorL	68 1/2"	30"		18"	1	Specify	155 lbs.	
FC-2-2424-18RL	84"	30"	24"x24"	18"	2	R & L	210 lbs.	
FC-2-2424-24RorL	74 1/2"	30"		24"	1	Specify	195 lbs.	
FC-2-2424-24RL	96"	30"		24"	2	R & L	225 lbs.	



Customer Service Available To Assist You 1-800-645-3166 8:30 am - 7:00 pm E.S.T.

For Orders & Customer Service:

Email: customer@advancetabco.com or Fax: 631-242-6900

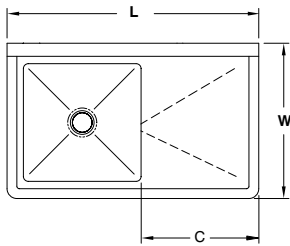
For Smart Fabrication™ Quotes:

Email: smartfab@advancetabco.com or Fax: 631-586-2933

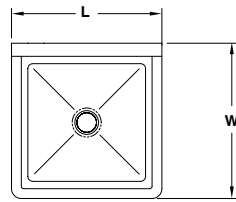
# DIMENSIONS and SPECIFICATIONS

TOL Overall: ± .500"  
Interior: ± .250"

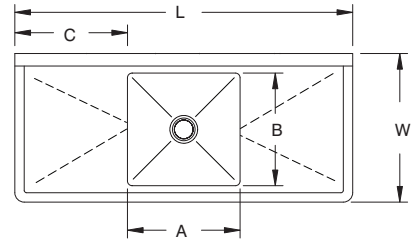
ALL DIMENSIONS ARE TYPICAL



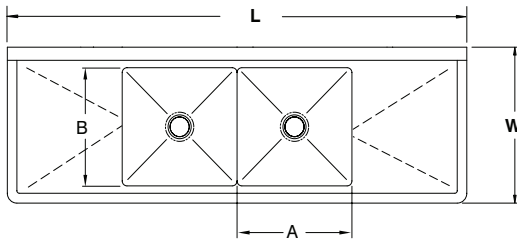
1 COMP - 1 DRBD



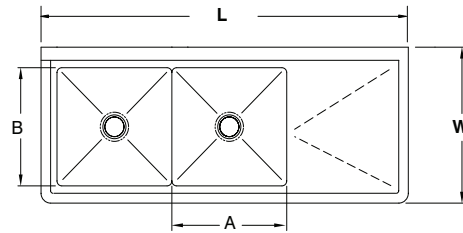
1 COMP



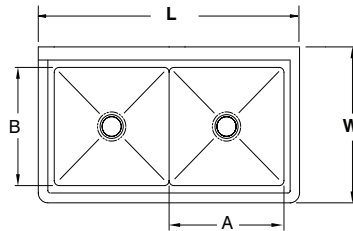
1 COMP - 2 DRBD



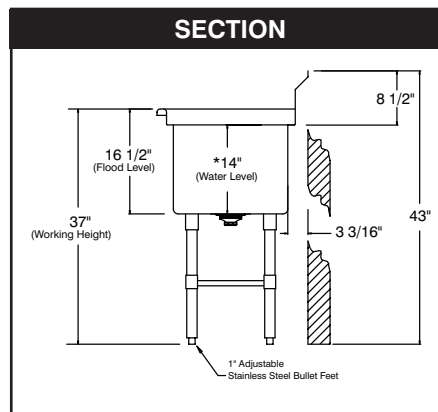
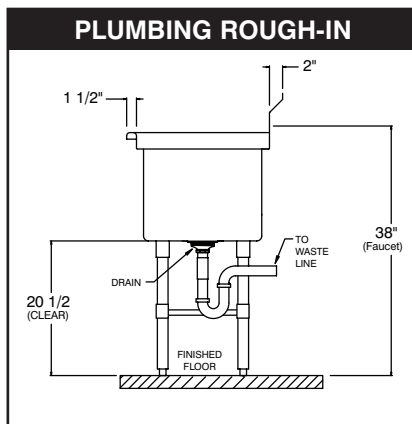
2 COMP - 2 DRBD



2 COMP - 1 DRBD



2 COMP



ACCESSORIES	Model #	Qty
DRAINS		
FAUCETS		

**OPTIONAL MODIFICATIONS:**

K-450	Extend Drainboard Length <i>(Drainboards over 36" Are Not Creased or Pitched.)</i>
K-470	Modify Bowl Depth

[See our full line of Modifications & Accessories on the web!](#)

