

STAINLESS STEEL HEAVY DUTY WORK TABLES

Open Base

FEATURES:

TMSLAG: Top is furnished with 1 5/8" square bend on sides and 1 5/8" sanitary rolled rim on front and rear & square sides.

TFMSLAG: Top is furnished with 1 5/8" square bend on sides and 1 5/8" sanitary rolled rim on front with 1 1/2" Rear Splash.

TKMSLAG: Top is furnished with 1 5/8" square bend on sides and 1 5/8" sanitary rolled rim on front with 5" Rear Splash.

Two hat-channels stud welded under tabletop to reinforce and maintain a level work surface.

CONSTRUCTION:

All TIG welded. Exposed weld areas polished to match adjacent surface.

Top is sound deadened.

Roll formed embossed galvanized hat channels are secured to top by means of structural adhesive and weld studs.

Gussets welded to support hat channels.

MATERIAL:

TOP: 16 gauge stainless steel type "304" series.

LEGS: 1 5/8" diameter tubular Stainless steel.
Stainless steel gussets. 1" adjustable stainless steel bullet feet.

Item #: _____ Qty #: _____

Model #: _____

Project #: _____



FLAT TOP
TMSLAG-X Series



Stainless Steel Bullet Feet
Standard On
TMSLAG, TFMSLAG
& TKMSLAG Series



1-1/2" BACKSPLASH
TFMSLAG-X Series



5" BACKSPLASH
TKMSLAG-X Series

| L | Model # | | WT. | Cu. Ft. | Model # | WT. | Cu. Ft. |
|-----------------|-----------------|----------------------|----------------|----------|------------------|----------------|-------------|
| | FLAT TOP | 1 1/2" SPLASH | | | 5" SPLASH | | |
| 24" WIDE | 24" | TMSLAG-242-X | TFMSLAG-242-X | 36 lbs. | 4 | TKMSLAG-242-X | 41 lbs. 6 |
| | 30" | TMSLAG-240-X | TFMSLAG-240-X | 42 lbs. | 4 | TKMSLAG-240-X | 47 lbs. 6 |
| | 36" | TMSLAG-243-X | TFMSLAG-243-X | 47 lbs. | 4 | TKMSLAG-243-X | 52 lbs. 6 |
| | 48" | TMSLAG-244-X | TFMSLAG-244-X | 56 lbs. | 6 | TKMSLAG-244-X | 62 lbs. 8 |
| | 60" | TMSLAG-245-X | TFMSLAG-245-X | 64 lbs. | 7 | TKMSLAG-245-X | 73 lbs. 10 |
| | 72" | TMSLAG-246-X | TFMSLAG-246-X | 77 lbs. | 8 | TKMSLAG-246-X | 84 lbs. 12 |
| | 84" | TMSLAG-247-X | TFMSLAG-247-X | 86 lbs. | 10 | TKMSLAG-247-X | 95 lbs. 14 |
| | 96" | TMSLAG-248-X* | TFMSLAG-248-X* | 102 lbs. | 11 | TKMSLAG-248-X* | 112 lbs. 16 |
| 30" WIDE | 24" | TMSLAG-302-X | TFMSLAG-302-X | 43 lbs. | 5 | TKMSLAG-302-X | 47 lbs. 8 |
| | 30" | TMSLAG-300-X | TFMSLAG-300-X | 53 lbs. | 5 | TKMSLAG-300-X | 55 lbs. 8 |
| | 36" | TMSLAG-303-X | TFMSLAG-303-X | 57 lbs. | 5 | TKMSLAG-303-X | 62 lbs. 8 |
| | 48" | TMSLAG-304-X | TFMSLAG-304-X | 69 lbs. | 7 | TKMSLAG-304-X | 75 lbs. 10 |
| | 60" | TMSLAG-305-X | TFMSLAG-305-X | 82 lbs. | 8 | TKMSLAG-305-X | 89 lbs. 13 |
| | 72" | TMSLAG-306-X | TFMSLAG-306-X | 94 lbs. | 10 | TKMSLAG-306-X | 101 lbs. 15 |
| | 84" | TMSLAG-307-X | TFMSLAG-307-X | 107 lbs. | 12 | TKMSLAG-307-X | 115 lbs. 18 |
| | 96" | TMSLAG-308-X* | TFMSLAG-308-X* | 126 lbs. | 13 | TKMSLAG-308-X* | 136 lbs. 20 |

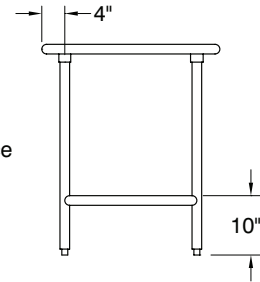
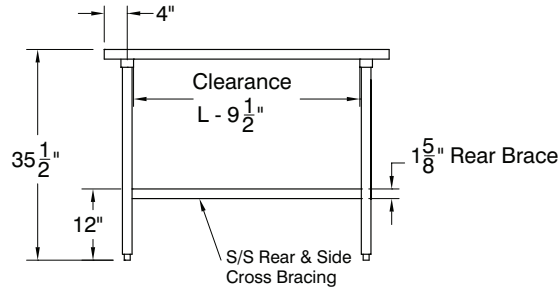
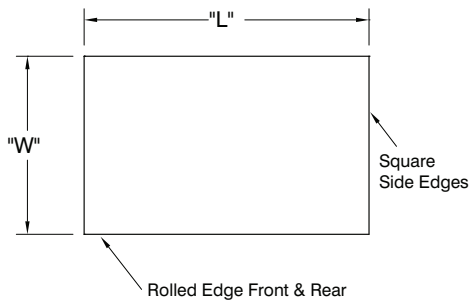
*All 8 ft. Tables Provided With 6 Legs

DETAILS and SPECIFICATIONS

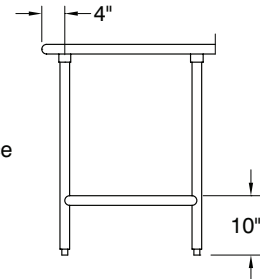
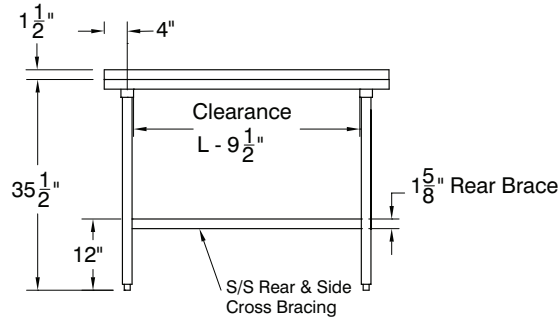
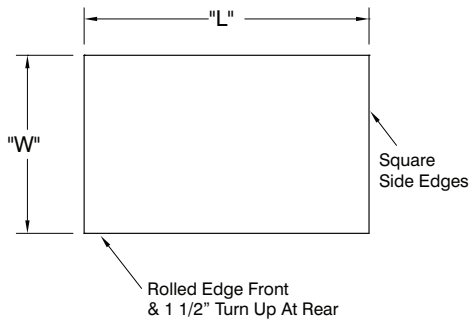
TOL \pm .500"

ALL DIMENSIONS ARE TYPICAL

TMSLAG SERIES - Flat Top



TFMSLAG SERIES - 1 1/2" Backsplash



TKMSLAG SERIES - 5" Backsplash

