



**T&S BRASS AND BRONZE WORKS, INC.**  
 2 SADDLEBACK COVE / P.O. BOX 1088 / TRAVELERS REST, SC 29690  
 PHONE 800-476-4103 FAX 864- 834-3518



Model No.

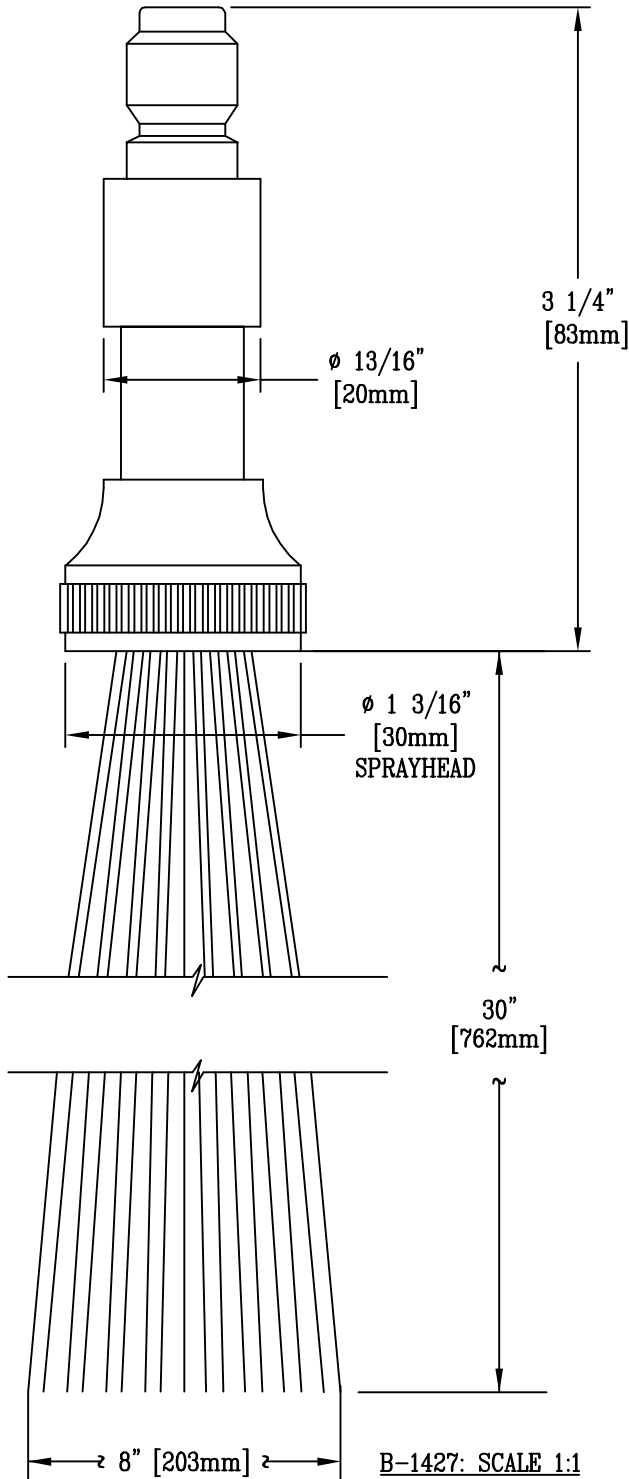
B-1427

Item No.:

Job Name:

Architect/Engineer Approval:

Notes:



INSERT PLUG INTO SOCKET OF  
 B-1420 SQUEEZE VALVE

( B-1420 SOLD SEPARATELY )

ASSEMBLY: SCALE 1:2

Product Description:

QUICK CONNECT ROSESpray FOR USE w/  
 B-1420 SQUEEZE VALVE

Drawn:

WJS

Approved

MVW

Checked

JKD

Scale:

1' = 1'

Date:

10-18-00