



SPECIFICATIONS:

Shall be a Model _____, self-generating, electric, tilting kettle. A double wall kettle interior shall form a steam jacket around the lower 2/3 of the kettle. The jacket enclosure shall contain distilled water which is factory sealed. The bottom of the kettle shall be of hemispherical design for superior heat circulation.

The mounting base shall include the kettle mounting lugs concealed inside a rectangular enclosure and a stainless steel mechanism housing.

A removable operating handle with heat proof knob shall be mounted on the right.

Construction shall be of all welded satin finish stainless steel, type 304. The interior cooking surface shall be of type 316 stainless steel for added resistance to corrosion. The kettle shall be ASME constructed and National Board Registered.

The controls shall be integrally mounted and shall include a power switch, solid state thermostat, pilot light, vacuum/pressure gauge, safety valve, low water light, and low water shut off.

The kettle shall operate in a temperature range of 100°F to 290°F (40°C to 140°C) at a maximum pressure of 50 psi (345 kPa). The kettle shall be standard with removable elements.

MODEL	CAPACITIES		
	KW	US Gal.	Liters
KECT-6	7.5	6	23
KECT-10	12	10	38
KECT-12	12	12	45

OPERATION SHALL BE BY:

Electrically, self-generating closed steam system equipped for operation on:

The kettle shall be equipped for operation on:

- 208 VAC, 1 phase, 60 Hz
- 208 VAC, 3 phase, 60 Hz
- 240 VAC, 1 phase, 60 Hz
- 240 VAC, 3 phase, 60 Hz

STANDARD FEATURES:

- Low water level cut-off and indicator
- Pressure gauge
- Temperature control
- Safety relief valve
- Type 316 stainless steel liner
- 2/3 steam jacket
- 50 PSI (345 kPa) high pressure operation for higher cooking temperature
- Integrally mounted controls
- Removable elements
- "Clean lock" to hold kettle in cooking position or 105° for ease of cleaning
- Stainless steel console and trunion
- Water resistant construction

OPTIONAL ITEMS AT EXTRA COST:

- 220 VAC, 1 phase, 50/60 Hz
- 220 VAC, 3 phase, 50/60 Hz
- 380 VAC, 3 phase, 50/60 Hz
- 415 VAC, 3 phase, 50/60 Hz
- 480 VAC, 3 phase, 50/60 Hz
- 415/240 VAC, 3 phase, 4 wire, 50/60 Hz
- 380/220 VAC, 3 phase, 4 wire, 50/60 Hz
- Etched gallon markings
- Etched liter markings

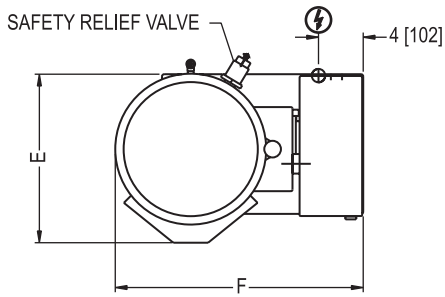
ACCESSORIES:

- One piece lift-off stainless steel cover
- Stainless steel wire basket
- 18" high floor stand c/w sliding drain pan and stationary drain
- Graduated measuring strip
- Single pantry faucet with swing spout
- Double pantry faucet with swing spout

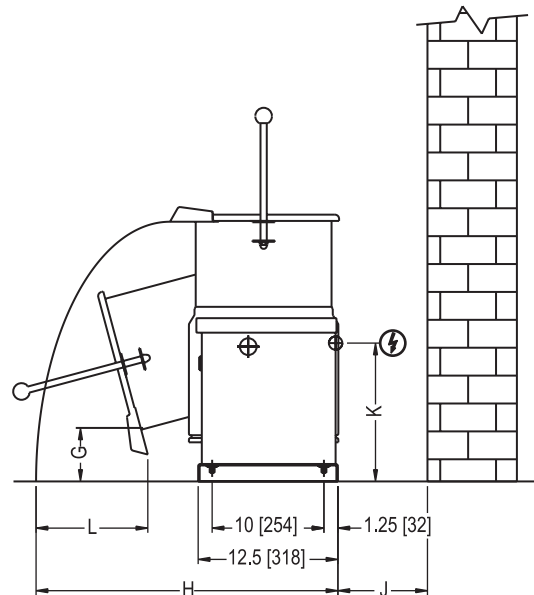
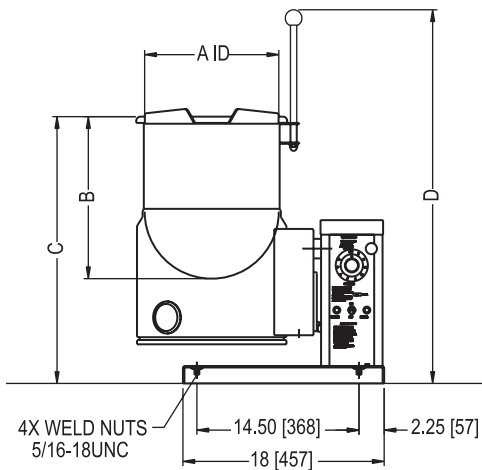
Job _____
Item# _____



Models: KECT-6 KECT-10 KECT-12



DIMENSIONS ARE IN INCHES [MM]



DIMENSIONS

Model	Capacity	Units	A	B	C	D	E	F	G	H	J	K	L
KECT-6	6 gallons 23 liters	in (mm)	12" (305)	14.38" (365)	24" (610)	33.5" (85.1)	15.25" (387)	22.25" (565)	4.75" (121)	27" (686)	3.75" (95)	12.38" (314)	10" (254)
KECT-10	10 gallons 38 liters	in (mm)	16" (406)	15" (381)	26" (660)	34.88 (886)	17.25 (438)	26.25 (667)	4.88" (124)	28" (711)	5.75" (146)	14.75" (375)	12.75" (324)
KECT-12	12 gallons 45 liters	in (mm)		17" (432)	28" (711)	36.88 (937)			4.38" (111)	30" (762)			12.75" (324)

ELECTRICAL CHARACTERISTICS

MODEL	PHASE	kW	AMPS PER LINE					
			208V	220V	240V	380V	415V	480V
KECT-6	1	7.5	36.0	34.1	31.3	-	-	-
	3	7.5	20.8	19.7	18.1	11.4	10.4	9.0
KECT-10/12	1	12.0	57.6	54.5	50.0	-	-	-
	3	12.0	33.3	31.5	28.9	18.3	16.7	14.5

SERVICE CONNCETIONS

⚡ – ELECTRICAL CONNECTIONS: to be specified on dataplate.

**INTENDED FOR COMMERCIAL USE ONLY.
NOT FOR HOUSEHOLD USE.**



1100 Old Honeycutt Road, Fuquay-Varina, NC 27526
(919) 762-1000 www.southbendnc.com