

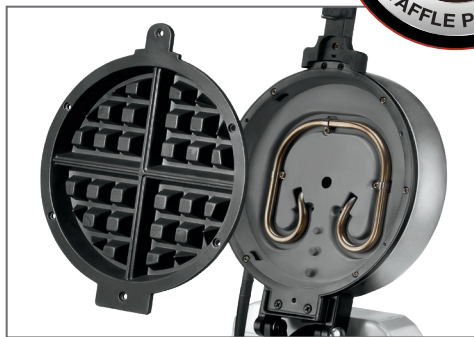


WW180X

Single Belgian Waffle Maker



Single Belgian Waffle Maker



MAIN FEATURES

- Produces up to 25 Belgian waffles (1" thick) per hour
- Heavy-duty, commercial construction for durability
- Rotary feature for even baking and browning
- Triple-coated nonstick plates allow for easy removal of waffles and quick cleanup
- Plates are user-serviceable for easy onsite replacement if scratched
- Power ON and READY-TO-BAKE LED indicators, plus audio chime signals when the unit is ready to cook and when the waffle is ready to serve
- Removable, dishwasher-safe drip tray makes cleanup quick and easy
- Limited One Year Warranty on machine, 90 day warranty on plates

ELECTRICAL

Voltage: 120

Frequency: 60Hz

Watts: 1200

Amps: 10

Plug Type: NEMA 5-15P ⓘ

Cord Length: 3 feet



SALES FEATURES

Elevate your menu by taking waffles beyond breakfast and into sweet and savory dishes. Designed with a rotary feature to ensure even results, the Waring® WW180X Single Belgian Waffle Maker bakes up to 25 Belgian waffles per hour. Triple-coated nonstick plates easily release flawlessly formed Belgian waffles—and because the plates are user serviceable, they are simple to replace if scratched.



@waringcommercial

©2019 Waring Commercial
314 Ella T. Grasso Avenue, Torrington, CT 06790
Tel. 800-492-7464 • Fax 860-496-9008

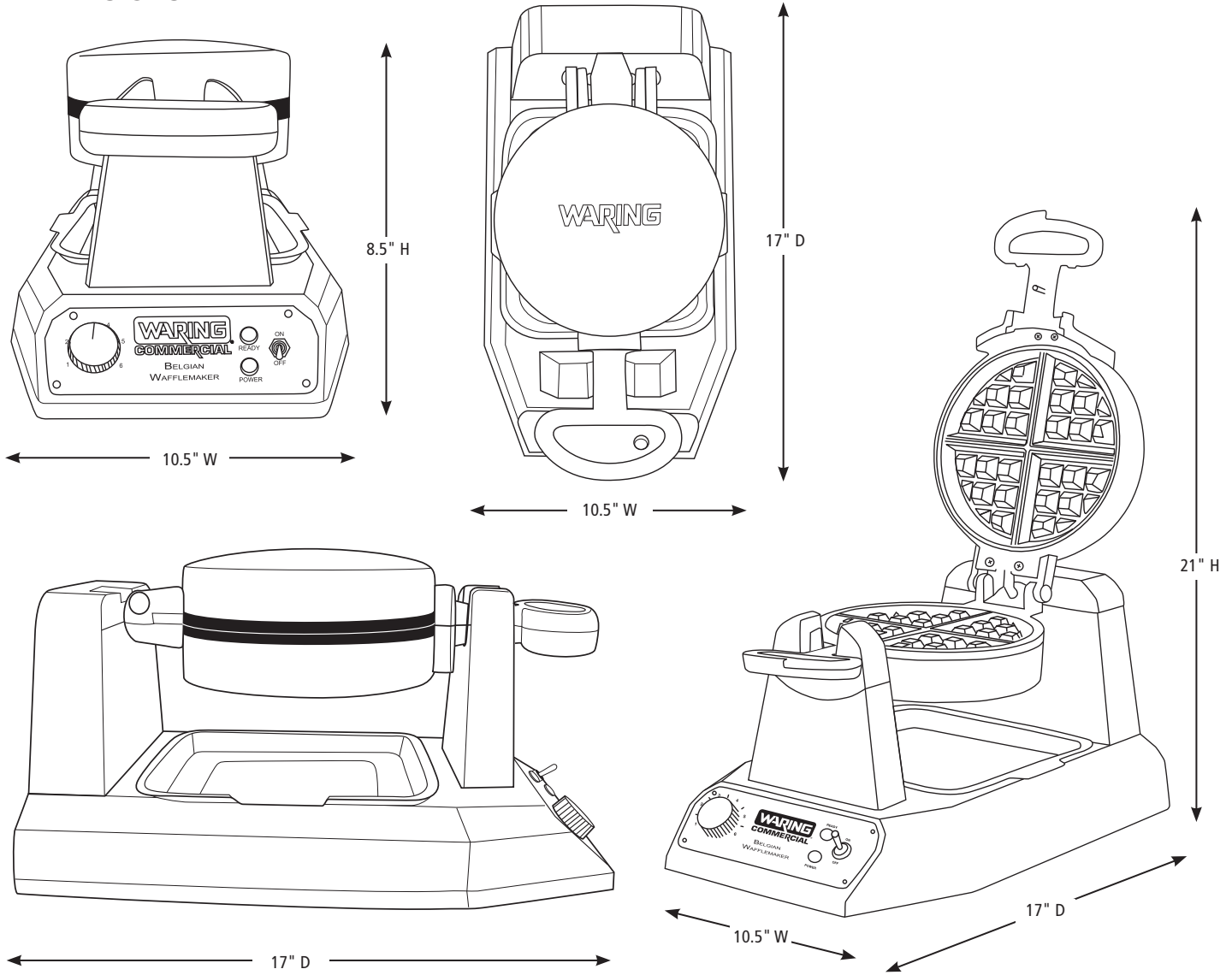
waringcommercialproducts.com

WW180X



Single Belgian Waffle Maker WW180X

DIMENSIONS



Out of Box Weight: 13.3 lbs.

ORDERING INFORMATION	#STD. PKG.	GIFTBOX WEIGHT	CUBIC FEET	BOX DIMENSIONS D X W X H	UPC	CASE PKG.	MC WEIGHT	MC DIMENSIONS D X W X H	MBC
WW180X – Single Belgian Waffle Maker	1	14.3	1.358	12.5" x 17.875" x 10.5"	040072086564	1	14.3	13.25" x 18.25" x 11.25"	10040072086561



@waringcommercial

©2019 Waring Commercial
314 Ella T. Grasso Avenue, Torrington, CT 06790
Tel. 800-492-7464 • Fax 860-496-9008

waringcommercialproducts.com

19WC063589 / REV 08/19