



Lil Step Booster Step



AC-01-STP

Holds over 300 lbs. Our popular booster step features slip resistant rubber feet and slip resistant safety strips. A perfect solution to help with compliance to 2 and 3 year old hand washing code requirements. Made of Phthalate and lead free melamine. Assembled.

EZ-FLOW Infrared Faucet Sensor



AC-02-FLW

Hands-free portable sink operation. Infrared faucet sensor saves up to 70% water usage and stops the spread of germs and bacteria caused from surface touching. Install sensor directly onto faucet. Manual override allows user to disengage sensor when needed. "AAA" batteries not included.

EZ-FILL-n-Roll Tank Dolly Cart and Fill Tube



AC-03-RLR

Less effort is required when moving portable sink water tanks with our EZ-Fill-N-Roll Kit. Fill tube features versatile rubber adapter to fit over most faucets. Easy-to-roll tank dolly, with non-skid strips, nests with our sinks for easier tank placement.

EZ-Glove Booster Step



AC-07-GLV

Durable, coated wire glove box holder can be installed onto our Ozark River Portable Sinks, or onto other surfaces including walls. Fits glove boxes 9.75"W x 5.25"D x 3.25"H. Holds 1- box horizontal and 2- boxes vertical.

5 Gallon Tank Fresh Water Tank



AC-05-TNK

Our five gallon Fresh Water Tank is included in every one of our portable hand-washing stations. They are also sold as an accessory to assist with complying to licensing requirements. Meets UN and applicable FDA regulations.

6 Gallon Tank Waste Water Tank

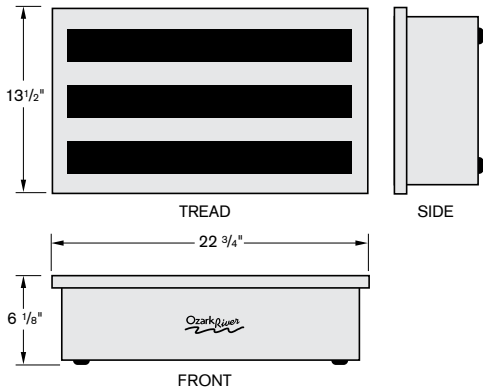


AC-06-TNK

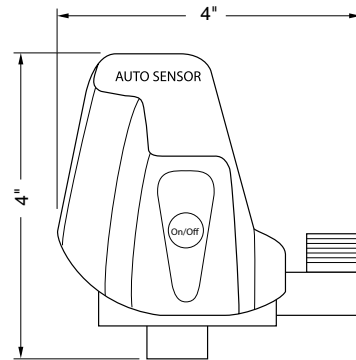
Our six gallon Waste Water tTank is included in every one of our portable hand-washing stations. They are also sold as an accessory to assist with complying to licensing requirements. Meets UN and applicable FDA regulations.

Quick Guide

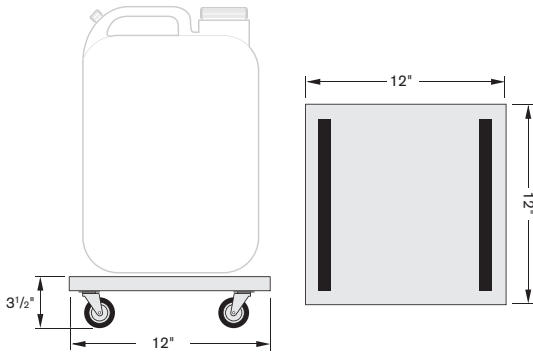
Accessories



Model Number	AC-01-STP
Model Type	Accessory
Material	Phthalate and Lead Free Melamine
Dimensions	23.50" W x 13.25" D x 6.0 H
Product Weight	11 lbs.

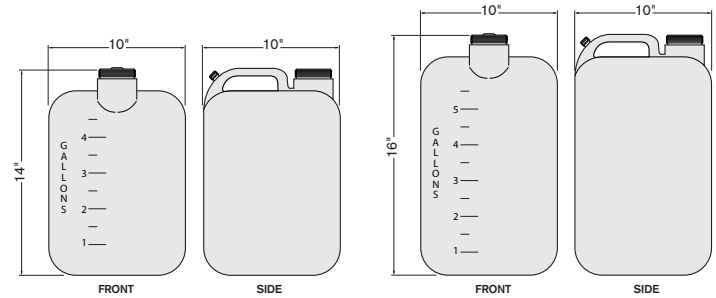


Model Number	AC-02-FLW
Model Type	Accessory
Battery Type	Four, AAA Alkaline not included
Technology	Infrared
Product Weight	1 lb.



Model Number	AC-03-RLL
Model Type	Accessory
Material	Phthalates and Lead Free Melamine
Dimensions	12" W x 12" D x 2.75 H
Product Weight	5 lbs.

Model Number	AC-04-FLL
Model Type	Accessory
Material	FDA Approved Tubing
Dimensions	57" long
Product Weight	1 lb.



Model Number	AC-05-TNK
Model Type	Accessory
Material	Blow-molded, high-density polyethylene
Dimensions	10" W x 10" D x 14 H
Product Weight	1 lb.

Model Number	AC-06-TNK
Model Type	Accessory
Material	Blow-molded, high-density polyethylene
Dimensions	10" W x 10" D x 16 H
Product Weight	1 lb.

No Image Available

Model Number	AC-07-GLV
Model Type	Accessory
Material	Coated Wire
Dimensions	9.75" W x 5.25" D x 3.25 H
Product Weight	1 lbs.

Design, colors, prices, options and features are subject to change without notice.

©2011 Integrity Distribution LLC
FORM 070111

Ozark River™
Portable Sinks

Integrity Distribution LLC
P.O. Box 280
Salem, Missouri 65560
Tel: 573.729.2057
Fax: 573.729.3846
OzarkRiver.com