



# BEVERAGE-AIR

Project: \_\_\_\_\_

AIA#

Item: \_\_\_\_\_

Location: \_\_\_\_\_

SIS#

Approved: \_\_\_\_\_

## BB BACK BAR EQUIPMENT

BB24HC Solid Door

Hydrocarbon Series

**MODELS:**

**BB24HC-1-B**

**BB24HC-1-S**



**BB24HC-1-B**

**3 Year Parts/Labor Warranty**  
**Additional 2 Year Compressor Warranty**

### CABINET CONSTRUCTION

- Black or stainless steel exterior
- Interior construction utilizes galvanized steel on walls and ceiling
- Full electronic control
- Stainless steel top
- Heavy duty stainless steel floor
- Two (2) epoxy coated shelves per section, standard
- Self-closing door
- Stay-open feature & lock standard
- LED lighting
- Field reversible doors
- Four inch heavy duty casters
- Balanced, forced air refrigeration system provides rapid chilling of product

### OPTIONS & ACCESSORIES

- 6" legs
- Wine model (40°-60° models)
- Food rated models available
- Underbar model option
- Foot pedal door opener
- Glass door

### REFRIGERATION SYSTEM

- Refrigeration system uses R290 refrigerant to comply with all environmental concerns
- Balanced forced-air refrigeration system provides rapid chilling of product
- Automatic, non-electric evaporator
- Epoxy coated evaporator coil

**BB24HC Back Bar Refrigerators: Solid Door Model**



3779 Champion Blvd., Winston-Salem, NC 27105  
1-888-845-9800 Fax: 1-336-245-6453  
Beverage-Air.com sales@bevair.com



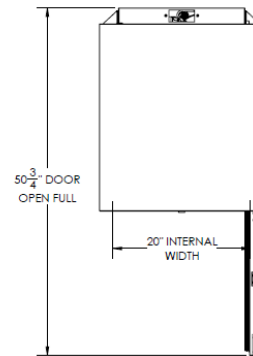
# BEVERAGE-AIR

## Bar Equipment-Back Bar Refrigerator Solid Door

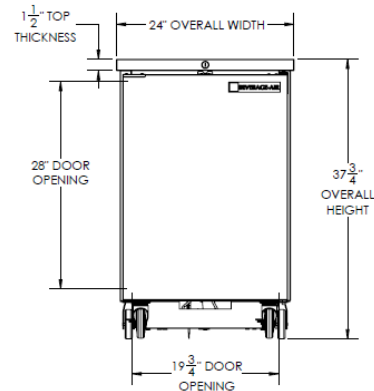
Models: BB24HC-1-B, BB24HC-1-S

MODEL	BB24HC-1-B	BB24HC-1-S
<b>EXTERNAL DIMENSIONAL DATA</b>		
Width Overall	24"	24"
Depth Overall with Handle	30 1/8"	30 1/8"
Height Overall	37 3/4"	37 3/4"
Number of Doors	1	1
Depth With Door Open 90°	50 3/4"	50 3/4"
Door Opening (in)	28" x 19 3/4"	28" x 19 3/4"
Shelf Area (sq. in.)	426 61/64"	426 61/64"
<b>INTERNAL DIMENSIONAL DATA</b>		
NET Capacity (cubic ft.)	7.66	7.66
Internal Width Overall (in)	20"	20"
Internal Depth Overall (in)	22 1/4"	22 1/4"
Internal Height Overall (in)	29 1/2"	29 1/2"
Number of Shelves	2	2
Number of Kegs	1	1
<b>ELECTRICAL DATA</b>		
Full Load Amperes 115/60/1	2	2
<b>REFRIGERATION DATA</b>		
Horsepower	1/6	1/6
Capacity (BTU/Hr)*	993	993
<b>WEIGHT DATA</b>		
Gross Weight (Crated lbs)	198 lbs	202 lbs
Height - Crated	46"	46"
Width - Crated	32"	27"
Depth - Crated	27"	32"

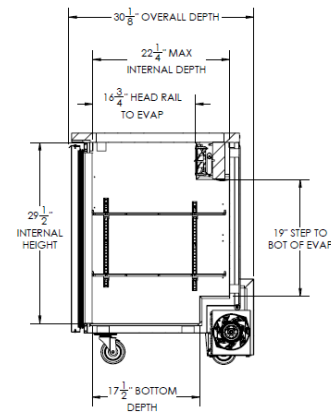
### Model Views



Plan View



Elevation View



Side View

### ELECTRICAL CONNECTION



115/60/1  
NEMA-5-15P

Units pre-wired at factory and include 8' long cord and plug set.



an Ali Group Company



The Spirit of Excellence

3779 Champion Blvd., Winston-Salem, NC 27105  
1-888-845-9800 Fax: 1-336-245-6453  
Beverage-Air.com sales@bevair.com