



BEVERAGE-AIR

Project: _____

AIA#

Item: _____

Location: _____

SIS#

Approved: _____

DD Draft Beer Equipment-Direct Draw Dispenser

DD50HC Solid Door with Dual Draft Arm

Hydrocarbon Series

MODELS:

DD50HC-1-B

DD50HC-1-S



DD50HC-1-S



DD50HC-1-B

3 Year Parts/Labor Warranty
Additional 2 Year Compressor Warranty

CABINET CONSTRUCTION

- Exterior is wear resistant vinyl on steel in black or stainless steel finish
- Top is made from heavy-duty stainless steel including drip tray
- Interior is galvanized steel on walls and ceiling, reinforced floor and doorsill are heavy duty stainless steel
- Full electronic control
- Drain tube located at bottom front of cooler or connection to floor drain
- 3" Insulated dispensing tower(s) with dual draft arm
- Self-closing doors with locks
- Magnetic gaskets provide positive door seal
- Field reversible doors
- Compressor available on left or right, specify at time of unit order

OPTIONS & ACCESSORIES

- Stainless steel interior available
- Turbo taps
- Club top models available
- Wine models
- Wine taps
- Faucet locks
- Glass rinser
- 3"-6" casters or 6" legs with adjustable plate
- Low profile casters
- Foot pedal door opener
- 1-5 Tap tower
- 2,3 & 4 way manifolds
- No draft/hole cover option

REFRIGERATION SYSTEM

- Refrigeration system uses R290 refrigerant to comply with all environmental concerns
- Models feature forced air refrigeration to keep beer in kegs ice cold for dispensing
- Automatic, non-electric evaporator
- Epoxy coated evaporator coil

DD50HC Direct Draw Dispenser: Standard Models



3779 Champion Blvd., Winston-Salem, NC 27105
1-888-845-9800 Fax: 1-336-245-6453
Beverage-Air.com sales@bevair.com



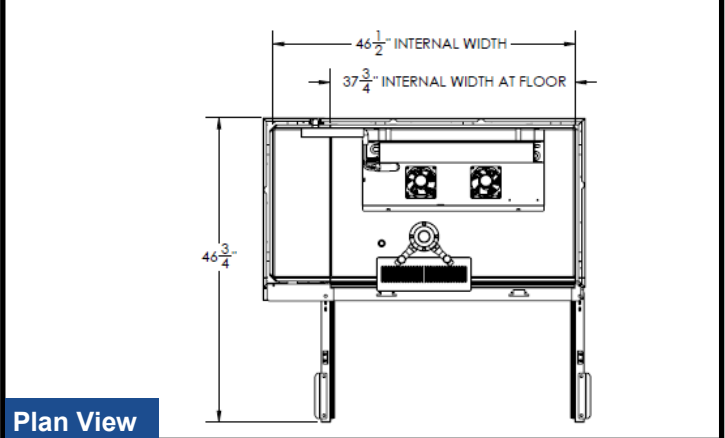
BEVERAGE-AIR

Bar Equipment-Direct Draw Dispenser Solid Door with Dual Draft Arm

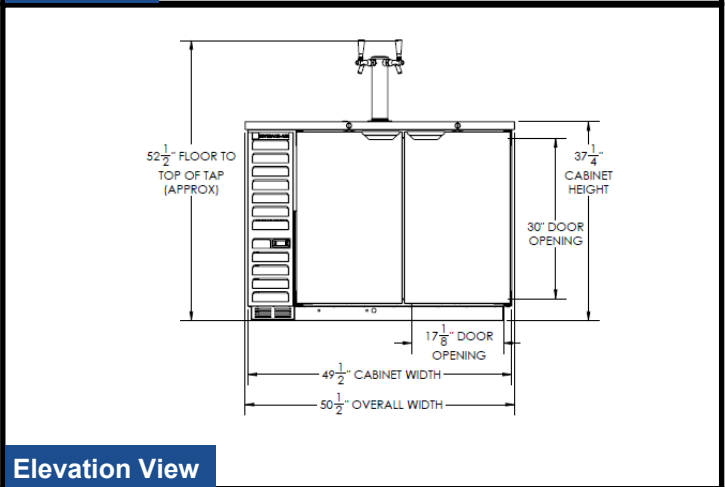
Models: DD50HC-1-B, DD50HC-1-S

MODEL	DD50HC-1-B	DD50HC-1-S
EXTERNAL DIMENSIONAL DATA		
Width Overall	50 1/2"	50 1/2"
Depth Overall with Handle	29"	29"
Height Overall	52 1/2"	52 1/2"
Number of Doors	2	2
Depth with Door Open 90°	46 3/4"	46 3/4"
Door Opening (in)	17 1/8" x 30"	17 1/8" x 30"
INTERNAL DIMENSIONAL DATA		
NET Capacity (cubic ft.)	17.86	17.86
Internal Width Overall (in)	37 3/4"	37 3/4"
Internal Depth Overall (in)	23 1/8"	23 1/8"
Internal Height Overall (in)	27 3/8"	27 3/8"
Number of Kegs	2	2
ELECTRICAL DATA		
Full Load Amperes 115/60/1	2.5	2.5
REFRIGERATION DATA		
Horsepower	1/4	1/4
Capacity (BTU/Hr)*	1702	1702
WEIGHT DATA		
Gross Weight (Crated lbs)	310 lbs	310 lbs
Height - Crated	42"	42"
Width - Crated	53"	53"
Depth - Crated	31"	31"

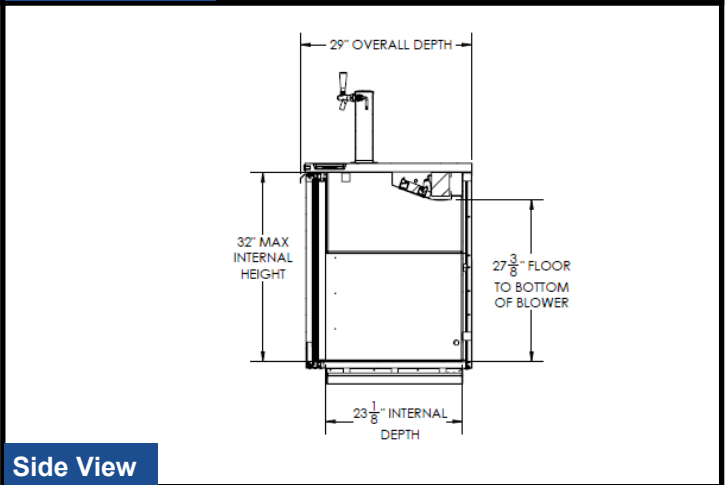
Model Views



Plan View



Elevation View



Side View

ELECTRICAL CONNECTION



115/60/1
NEMA-5-15P

Units pre-wired at
factory and include 8'
long cord and plug set.



an Ali Group Company



The Spirit of Excellence

3779 Champion Blvd., Winston-Salem, NC 27105
1-888-845-9800 Fax: 1-336-245-6453