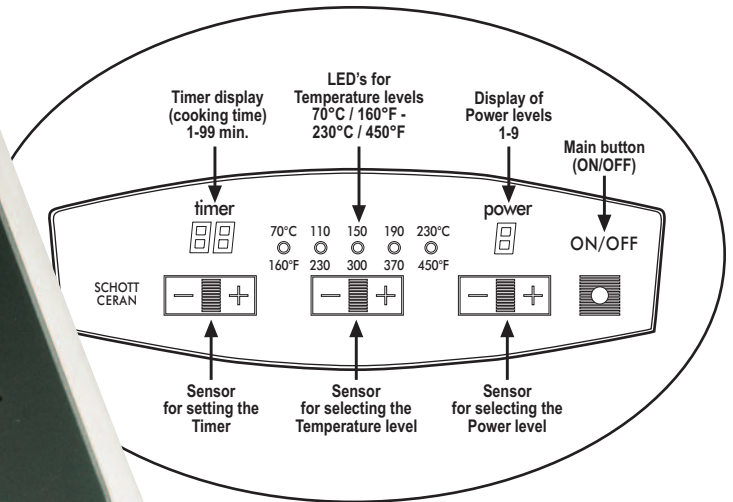




Buffet Induction Range

Immediate Heat and Pot Recognition!



Model BIR-1C

Features

- No preheat - immediate power / fast heat off
- Pot recognition: Heats only within pot/pan circumference for maximum energy efficiency
- Requires flat-bottomed pot/pan made of cast iron, enameled steel, or stainless steel. (Check with magnet)
- Handles pot/pans with 3-5/32" – 10-1/4" diameter
- SCHOTT CERAN® glass-ceramic cooking surface
- Brushed stainless steel housing
- Contemporary styling with low silhouette for countertop buffet use
- Controls have audible acknowledgement signals
- Electronic controls
- Control cooking with power level OR temperature level
- Temperatures from 160°F - 450°F
- 1-99 minute timer
- Power light
- "Residual heat" safety light over 160°F
- 3 prong commercial cordset
- 120 volts -1400 watts - 11.7 amps
- ETL Listed
- One year warranty

Model	Color	Unit Dimensions	Unit Wt.	Ship Wt.	Carton Dimensions	Cu. Ft.	UPC#
BIR-1C	Stainless	w:12", h:3", d:16 1/4"	5.9 lbs.	8.0 lbs.	w:15 1/4", h:4 1/2", d:18 3/8"	0.73	654796-66002-5

Due to continual product improvement, product specifications, designs and pricing are subject to change without notice.

For more information, please contact Cadco, Ltd, 145 Colebrook River Road, Winsted, CT 06098
Tel. (860)738-2500 ● Fax (860) 738-9772 ● E-mail: info@cadco-ltd.com ● Web site: www.cadco-ltd.com

9/19/2006 RV01