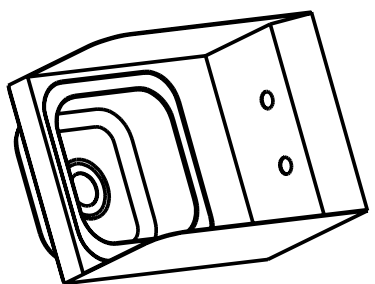
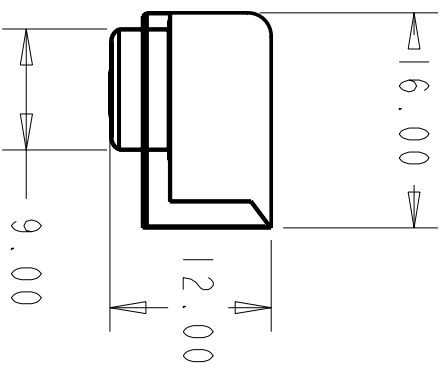
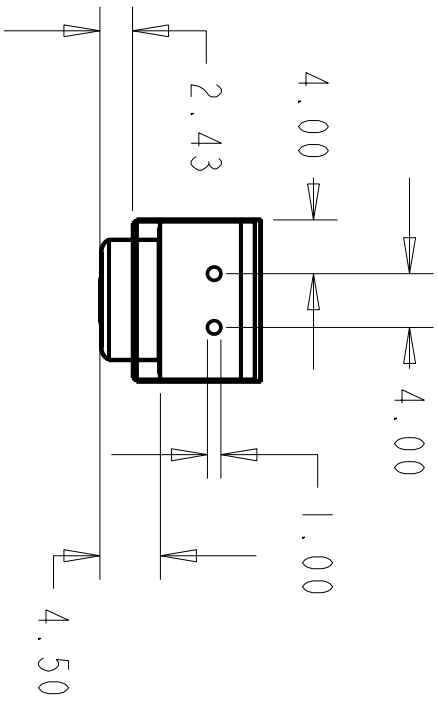


SCALE 0.150



SCALE 0.090



SCALE 0.070

HAND * WARE- * WASHING * PLUMBING & * COMMERCIAL * COMPONENTS & SUPPLIES

MODEL #: BKHS-W-SS-SS

DESCRIPTION: HAND SINK TWO HOLES BACKSPLASH W SIDE SPLASHES

MATERIAL:

DATE:

DRAFTER:

SCALE: 6"=1"-0"

APPROVED BY:

REVISIONS

DATE



1609 WEST WERNING AVE., SUITE D
EFFINGHAM, IL 62401
(888) 310-4393 / FAX (888) 310-4394
EMAIL: sales@bk-resources.com
VISIT OUR WEBSITE
WWW.BK-RESOURCES.COM

Dimensions subject to change without prior notification. This illustration is the exclusive property of BK Resources. It may not be distributed in any manner without the express consent of BK Resources