

CASER[®]

DISPLAY COOLER CURTAINS



Make **Food SAVE-T[®] Products**
Your Number One Priority!

Curtron Products
a division of TMI Incorporated

CASER®

DISPLAY COOLER CURTAINS

*Shopper
Approved
Energy
Saver for
Upright
Refrigerated
Display
Cases*



CUSTOMER SATISFACTION GUARANTEE

*Within 30 days, if you are
not convinced of the quality,
value and benefits of
Curtron CASER® Display
Cooler Curtains, you may
return the item for
a full refund.*



CUT ENERGY COSTS BY 40%

CASER® Curtains can lower your cooling cost by not allowing the display case air to escape into the stores aisle area. In fact, the sales floor temperature will be warmer for customer comfort while the cooler thermostat is held to normal setting.

REACH-THRU CONVENIENCE

Customers will not be inconvenienced by the thin flexible PVC strips. The see-thru strips have a smooth edge that allows safe access to the cooled product. Energy costs will definitely decrease because cold air produced by the cooler will not escape into the aisles.

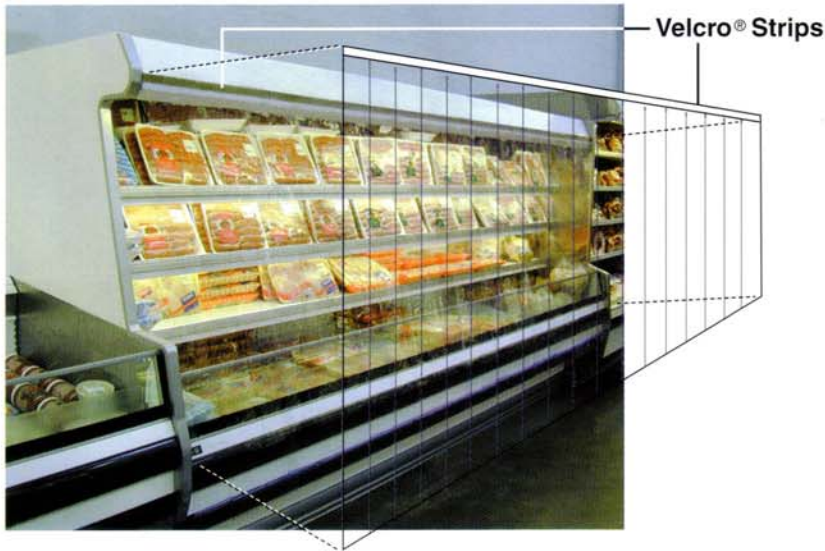
**USDA
COMPLIANCE**

**FDA
COMPLIANCE**

NSF

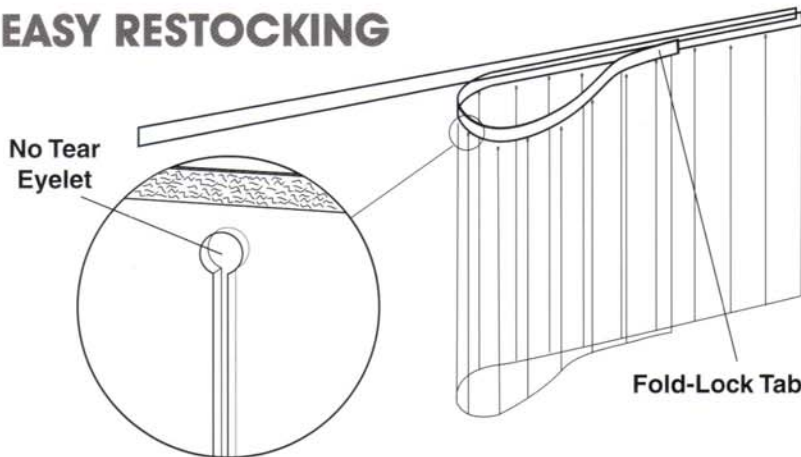


EASY INSTALLATION



The CASER® is attached to the display case canopy facing by Velcro®. First, you attach the pressure sensitive hook portion of the Velcro® to the canopy, then hang the CASER® Cooler Curtain. **It's that simple!** No tools are needed . . . no drilling is required.

EASY RESTOCKING



Employees will also appreciate the CASER®. They can restock or clean the coolers quickly and easily. Just fold back the edge and attach the "foldlock" tab and you can quickly replace product.

STANDARD CASER SIZES

| Model No. | Dimensions |
|-----------|---------------------|
| C-55 | 48" Wide x 55" High |
| C-68 | 48" Wide x 68" High |

**CUSTOM
SIZES ARE
AVAILABLE**

The CASER® has won customer acceptance because it keeps aisles warmer. It also gives you these advantages:

- *Cuts refrigeration costs*
- *Extends product shelf life*
- *Lowers heating costs*
- *Provides hours of product protection during power failure or equipment breakdown*
- *Maintains constant holding temperature*
- *Slashes compressor running time*
- *Offers quick payback*
- *One-year guarantee against defects in materials and workmanship*

FACT:

Shoppers will no longer rush out of the frozen food and cooled food sections to avoid discomfort. They will shop longer in temperatures that are 20° higher, plus your display cooler energy costs will be reduced by 40%.

OTHER QUALITY CURTRON PRODUCTS



Strip doors are the least expensive, yet most efficient method of keeping a temperature controlled environment clean and contaminant free. The revolutionary Snap'n Cap design utilizes hardware that covers the mounting pins to shield them from collecting dirt and dust. Snap'n Cap complies with FDA and USDA regulations.

Air Doors inhibit contaminated air, dust, smoke, insects and odors from entering or leaving through openings while permitting unrestricted entry and exit. Heaters can be integrated into intake grill for customer or personnel comfort. Every air door is shipped with a 30 day money-back guarantee.

*Engineered Products for
Energy Conservation
and Food Safety*



Commonly used in school lunch rooms, this unique reach-thru, see-thru milk cooler curtain helps maintain temperatures during serving periods when cooler doors are open. We stock every size for every cooler made. Call for more information.



Accordion Strip Doors can be used conventionally or, within seconds, can be pulled back to one side or bi-part to create an open doorway. The folded panels reduce to just 15% of the opening.

These strong, durable covers keep food fresh and clean. They are available in 5 colors and transparent. The **Breathable Mesh Covers** allow moisture and heat to dissipate quickly, while preventing flying insect contamination. **INSUL-COVERS** transform open racks into inexpensive insulated cabinets.

All covers are made with double zippers to allow easy access to the trays. Velcro is an option. Custom sizes are available.



Curtron Products
a division of TMI Incorporated

800.833.5005

Distributed by:

Copyright © 2000 Curtron Products

Catalog No. CC 10-03

Curtron Products • 5350 Campbells Run Road • Pittsburgh, PA 15205-9738 • 800.833.5005 • 412.787.9750
Fax: 412.787.3665 • Web Site: www.tmi-pvc.com • E-Mail: customer-service@tmi-pvc.com