

Unit Information

15.0 Amps. – 3.75 HP
 3 Year Limited Motor Warranty
 Electronic Membrane Keypad
 Slow Start™ Blending Mechanism

WARING COMMERCIAL®

CB15

CB15DB

CB15 with BB150DW

CB15S

CB15 with Hot Blending Lid

CBC15

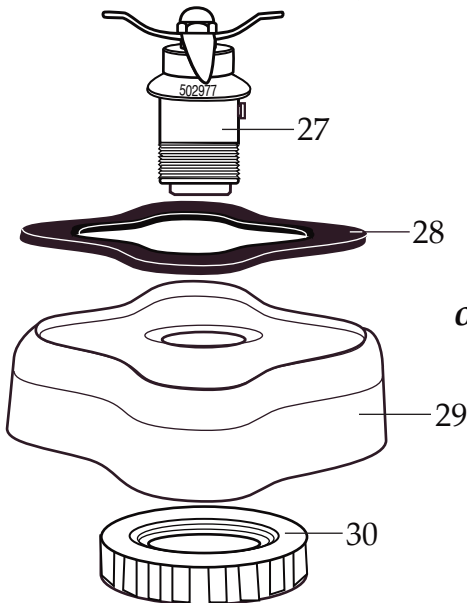
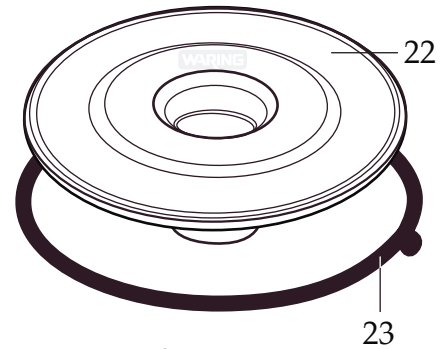
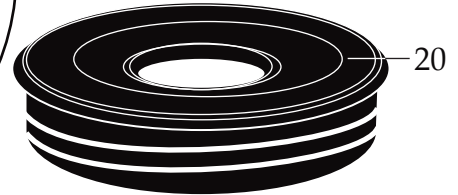
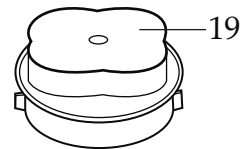
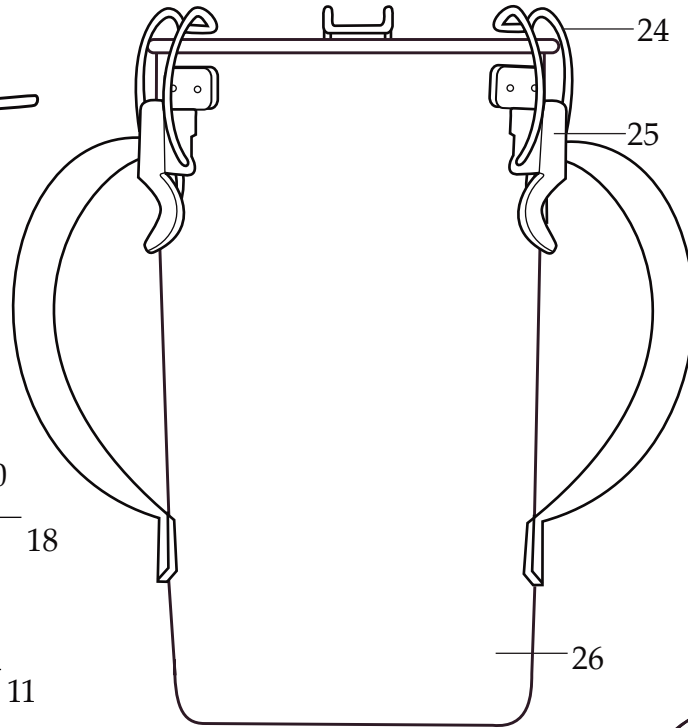
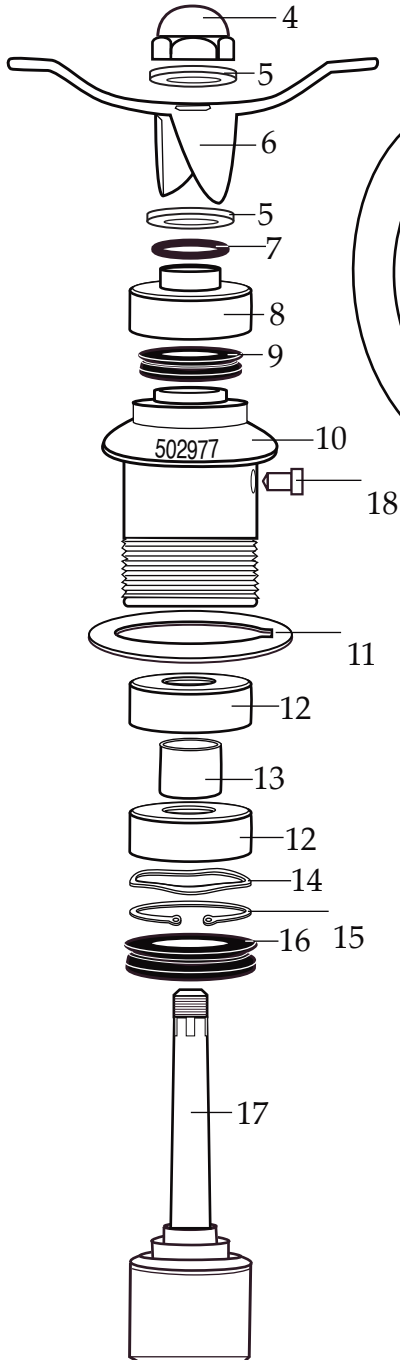
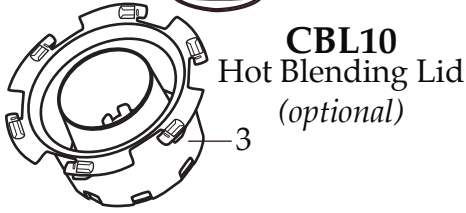
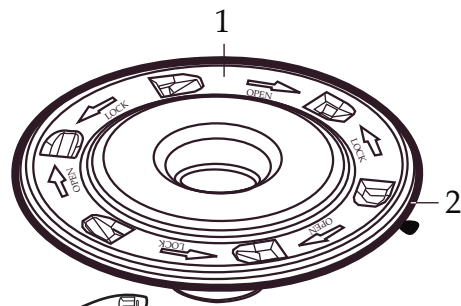
Calico Label /marked for deletion

LBC15

Laboratory Blender



013304
 NSF Seal



*older units/ CB15-CB15DB-CB15S
 current production/ LBC15*

502977
 Blending Assembly
 (replaces 502493 & 502975)

704350 - Container Complete with Stainless Steel Lid

502235 - Container with Blending Assy.

704587 - Container Complete with Lid

**Parts to old 502493
 Blending Assy.**

different from new Assy.
 (limited quantities available)

018397 - Washer

018388 - O Ring

023903 - Bearing Cap



026626 Name Plate / Don



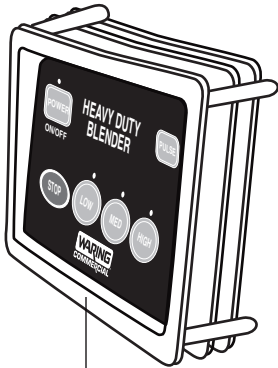
026639 Name Plate / Calico



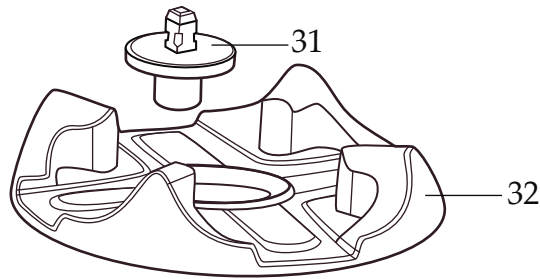
026782 Name Plate / Laboratory



026783 Name Plate / Lab

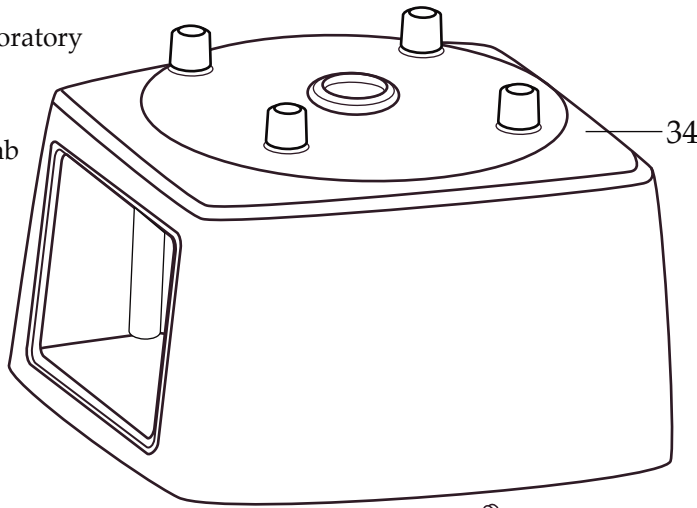


33



31

32



34

WARING
COMMERCIAL

CB15

CB15DB

CB15 with BB150DW

CB15S

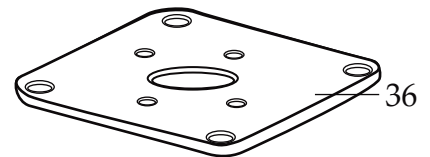
CB15 with Hot Blending Lid

CBC15

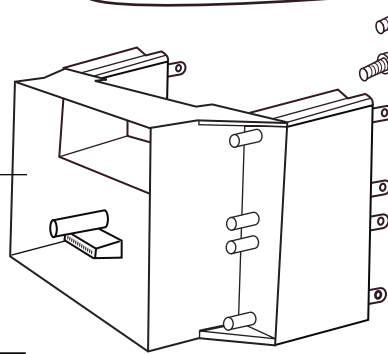
Calico Label

LBC15

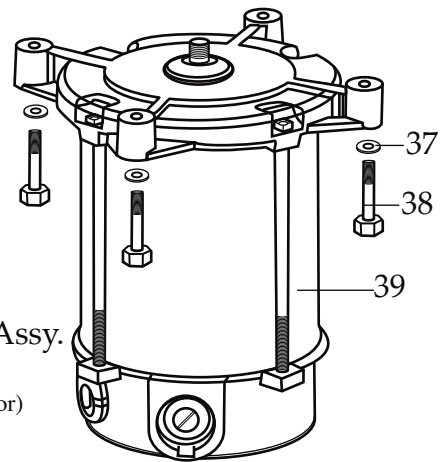
Laboratory Blender



36



35

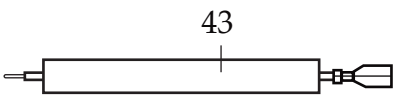


37

38

39

027381
Brush & Spring Assy.
2 Req.'d
(use with ECM motor)

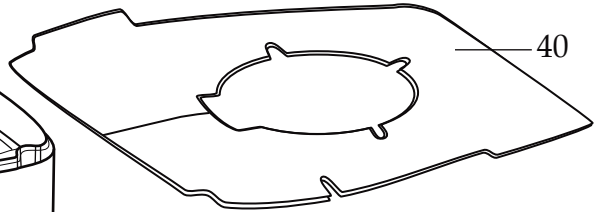


43

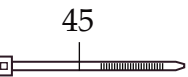


41

42



40



45

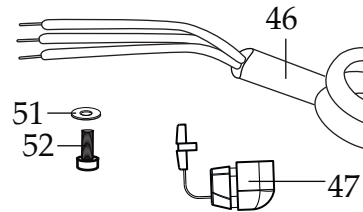


44

48

49

50



46

47

53

54

55

51

52

Catalog/Model

CB15
CB15DB
CB15S
CBC15
LBC15



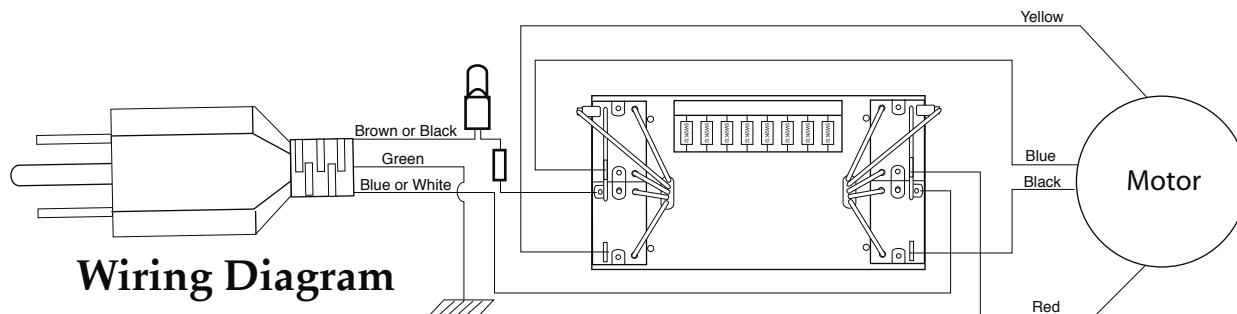
Illustration #	Part #	Description
1	024000	Outer Lid /polycarbonate for hot blending
2	026496	Gasket /plastic outer lid
3	023998	Baffle Cup for hot blending lid
4	002972	Cap Nut
5	027581	Washer /flat
6	027683	Blade
7	018389	"O" Ring
8	027582	Bearing Cap
9	018390	"V" Ring /small
10	023934	Bearing Holder
11	004946	Washer
12	018386	Bearing
13	023926	Spacer
14	023907	Spring Washer
15	023927	Retaining Ring
16	023906	"V" Ring /large
17	023933	Drive Shaft
18	025817	Key
19	028530	Cover Insert
20	028226	Outer Lid
21	013470	Stopper
22	013469	Stainless Steel Outer Lid (plastic outer lid is no longer available)
23	017442	Gasket /stainless steel lid
	026496	Gasket /plastic lid (<i>older units</i>)
24	008791	Latch Wire 3 Req.'d
25	502773	Bracket Assy. /spot welded to container 3 Req.'d
26	023909	Double Handle Container
27	502977	Blending Assy. /complete
28	004949	Gasket /container base
29	025571	Container Support /container base
30	012008	Lock Nut
31	502696	Coupling
32	025871	Jar Pad

Catalog/Model

CB15
CB15DB
CB15S
CBC15
LBC15



Illustration #	Part #	Description
33	026400	Control Module Panel
34	028025 026316	Top Housing Top Housing (2nd generation & older units)
35	026497	Screw 4 Req.'d
36	018787	Motor Plate-use with Stature motor
37	002984	Washer 4 Req.'d-use with ECM motor - 8 Req.'d (use with 015434)
38	016691 015434 015434	Screw 4 Req.'d-use with ECM motor Screw /holds mounting plate to motor 4 Req.'d (use with Stature motor) Screw /holds mounting plate & motor to top hsg. 4 Req.'d (use with Stature motor)
39	026170	Motor /ECM (older Stature motor the data decal is marked with an S on model number)
40	026318	Baffle
41	026500	Screw 6 Req.'d
42	018791	Screen
43	502853	Lead & Fuse Assy.-use with ECM motor
44	019123	Crimp Connector
45	013731	Cable Tie 5 Req.'d
46	502855	Cord Set
47	018811	Strain Relief
48	026317	Bottom Housing
49	002984	Washer 4 Req.'d
50	026412	Screw 4 Req.'d
51	002943 014798	Washer /ground Washer (2nd generation & older units)
52	027278 016317	Screw /ground Screw (2nd generation & older units)
53	026296	Foot 4 Req.'d
54	018314	Washer 4 Req.'d
55	026493	Screw 4 Req.'d



Wiring Diagram