



# EM Series Smooth Gas Griddle Top 12"

ITEM # \_\_\_\_\_

MODEL # \_\_\_\_\_

PROJECT NAME # \_\_\_\_\_

SIS # \_\_\_\_\_

AIA# \_\_\_\_\_



## EM Series

### Smooth Gas Griddle Top 12"

169012 (ARG12FL)

SMOOTH GAS GRIDDLE  
TOP 12" (305 mm)

## Short Form Specification

Item No. \_\_\_\_\_

Unit to be Electrolux Smooth Gas Griddle Top with single high efficiency 26,000 BTU (7,6 kW) burner. Suitable for natural gas or propane gas. Thick 1" (25 mm) mild steel griddle plate maintains selected temperatures and assures quick recovery. 3,2" (81,5 mm) wide drainage channel running on full length of cooking surface. Large grease drainage hole diameter 2,4" (60mm). Single 1 pt. (0.5 l) grease collector drawer captures all excess grease and oil and can be easily extracted for easy dumping and cleaning. Worktop in AISI 304 Stainless Steel. 3mm stainless steel splashback. Front and side panels in Stainless Steel with Scotch Brite finish. Special heavy duty chrome plated knob for durability and easy cleaning. All major components can be accessed from front of the appliance for ease of maintenance. The configuration of bezel and knob provides high level of protection against water infiltrations. Right-angled side edges to allow flush fitting joints between units. Supplied with 4" (102mm) height adjustable, removable legs. Unit may be installed on refrigerated base or open cupboard.

## Main Features

- Single high efficiency 26,000 BTU (7,6 kW) burner.
- Thick 1" (25 mm) mild steel griddle plate maintains selected temperatures and assures quick recovery.
- Suitable for natural gas or propane gas.
- Flame failure device to protect against accidental extinguishing of the flame.
- 3,2" (81,5 mm) wide drainage channel running on full length of cooking surface.
- Large grease drainage hole diameter 2,4" (60mm).
- Single 1 pt. (0.5 l) grease collector drawer captures all excess grease and oil and can be extracted for easy dumping and cleaning.
- Worktop in AISI 304 Stainless Steel.
- 3mm stainless steel splashback.
- Front and side panels in Stainless Steel with Scotch Brite finish.
- All major components can be accessed from the front for ease of maintenance.
- Special heavy duty chrome plated knob for durability and easy cleaning.
- The configuration of bezel and knob provides high level of protection against water infiltrations.
- Right-angled side edges to allow flush fitting between units.
- Provided with kit for side-by-side connection between units for minimizing gaps and possible dirt traps.
- Supplied with 4" (102mm) height adjustable, removable legs.
- Unit may be installed on refrigerated base by removing the legs and inserting the special pins (optional accessory model # 169048).
- Unit may be installed on open cupboard by removing the legs and inserting the screws provided as standard with the open cupboards.
- Included Accessories: propane converter kit, pressure regulator and main shut off valve.

## Optional Accessories

- 4 pins kit for equipment to be installed on Refrigerator/freezer bases  PNC 169048



Approval: \_\_\_\_\_

**Electrolux Professional Inc.**

[www.electroluxusa.com/professional](http://www.electroluxusa.com/professional)

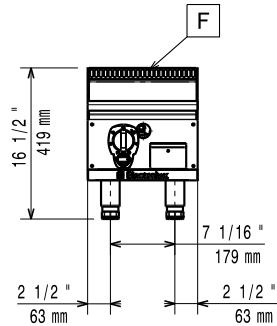
[www.electrolux.com/foodservice](http://www.electrolux.com/foodservice)

[foodservice@electrolux.com](mailto:foodservice@electrolux.com)

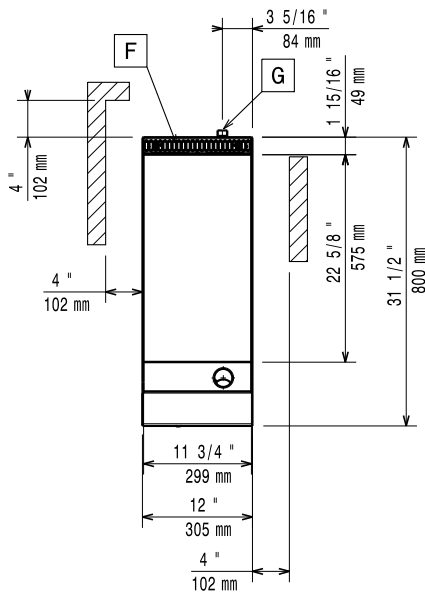
**Electrolux**

**EM Series  
Smooth Gas Griddle Top 12"**

### Front

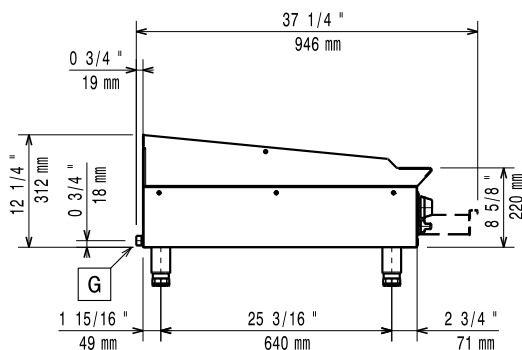


### Top



G = Gas connection

### Side



### Gas

#### Gas Power:

169012(ARG12FL) 26000 Btu/hr (7.6 kW)

#### Gas Inlet:

3/4" NPT

#### Natural Gas Pressure:

4" w.c. (10 mbar)

#### Propane Gas Pressure:

7" w.c. (18 mbar)

### Key Information

**Cooking Surface Width:** 11 3/4" (299 mm)

**Cooking Surface Depth:** 22 5/8" (575 mm)

**Working Temperature MIN:** 194 °F (90 °C)

**Working Temperature MAX:** 500 °F (260 °C)

**External dimensions, Width** 12 1/64" (305 mm)

**External dimensions, Depth** 31 1/2" (800 mm)

**External dimensions, Height** 16 1/2" (419 mm)

**Net weight:** 82 lbs (37 kg)

**Shipping width:** 35 7/16" (900 mm)

**Shipping depth:** 14" (355 mm)

**Shipping height:** 25 1/2" (648 mm)

**Shipping weight:** 93 lbs (42 kg)

**Shipping volume:** 7.31 ft<sup>3</sup> (0.21 m<sup>3</sup>)

\* The rear and side clearances shown on the diagram indicate the minimum distances recommended from the appliance to combustible surfaces.