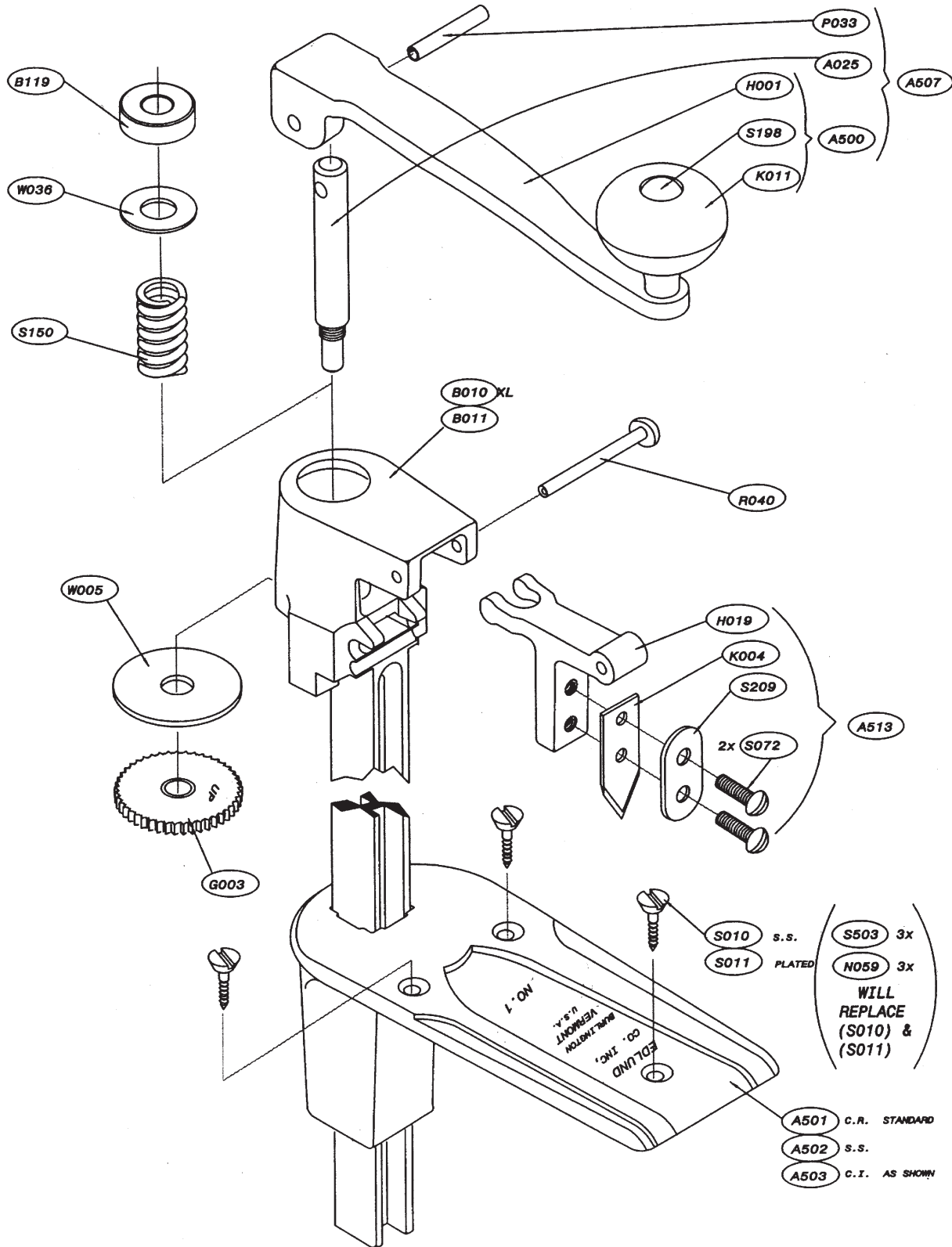


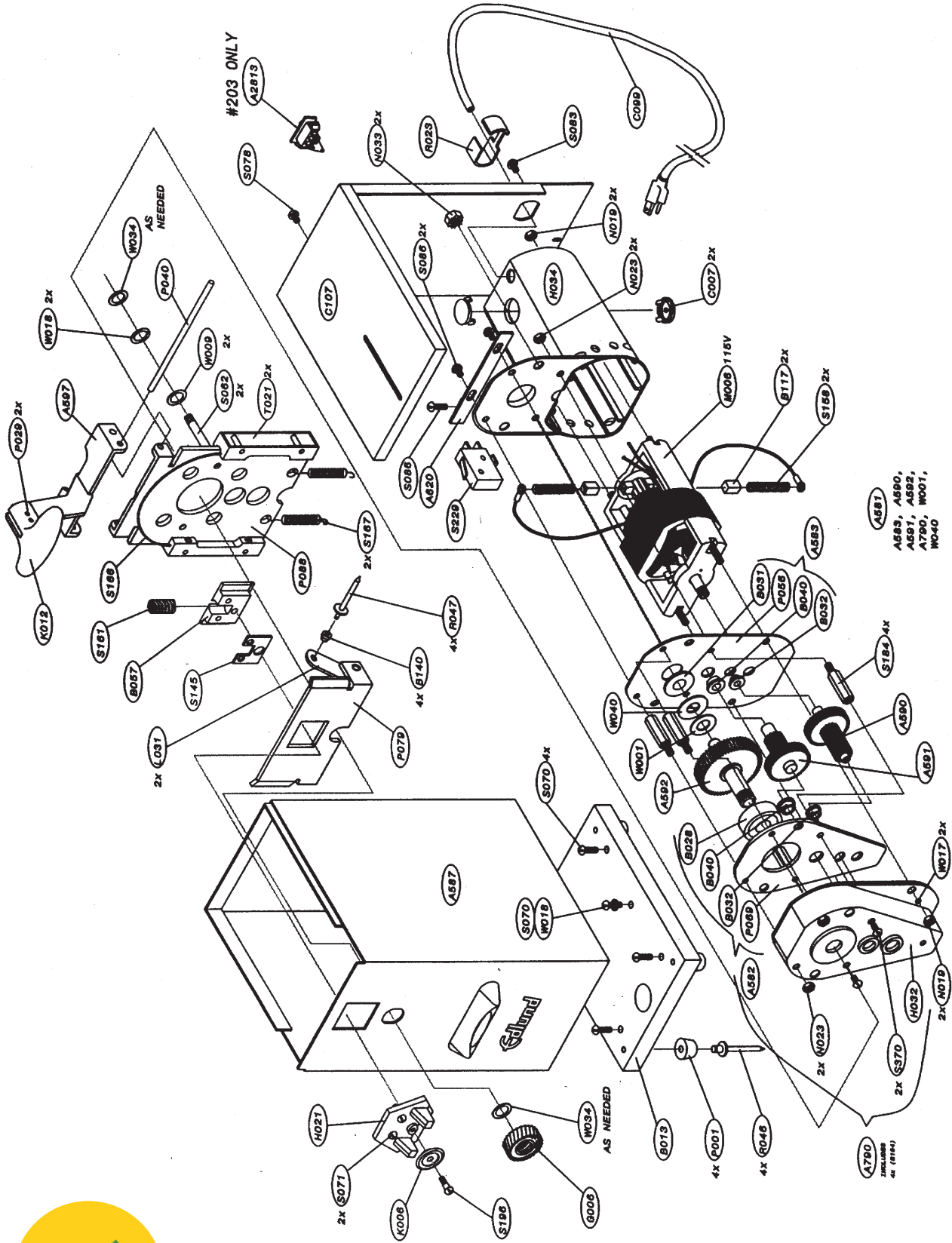
Edlund - No. 1 - #1 Manual Can Opener w/ Base



<i>PART NO.</i>	<i>DESCRIPTION</i>
A025	Arbor, #1
A500	Assembly, #1 Handle & Knob
A501	Assembly, #1 CRS (Mild Steel) Base
A502	Assembly, #1 Stainless Steel Base
A503	Assembly, #1 Cast Iron Base
A507	Assembly, #1 Handle/Arbor
A513	Assembly, #1 Knifeholder
A5191	Assembly, #1/#2 Spring Release Clamp
B010	Bar, #1 Slide XL (Casting Only)
B011	Bar, #1 Slide (Casting Only)
B119	Bushing, #1
G003M	Gear, #1 (24 Package)
G003SP	Gear, #1 (Single Pack)
H001	Handle, #1 C.O.
H019	Holder, #1 Knife
K004M	Knife, #1 24 Package

<i>PART NO.</i>	<i>DESCRIPTION</i>
K004SP	Knife, #1 Single Pack
K011	Knob, Manual Can Opener
L015	Label, #1/#2 Warning for Base
N059	Nut, 10-32 Self Locking (3/Package w/SO53)
P033	Pin, Roll, 7/32 x 1-3/8 Plated
R040	Rivet, #1 Knifeholder, .247 x 1-5/8
S010	Screw, #12 x 1 for SS Bases (Package of 3)
S011	Screw, 12 x 1 Plated for Bases
S072	Screw, #1/#2, 12-24 x 7/16 RHM
S150	Spring, #1
S198	Stud, #1/#2 Knob
S209	Support, Knife
S503	Screw, 10/32 x 11 SS Slotted (3/Package w/N059)
W005	Washer, #1 Gear
W036	Washer, #2 Spring

Edlund - Electric Can Opener #266/#203



A587
A588, A590,
A591, A592,
A790, W001,
W040

A790
FRONT VIEW
4x (P184)

<i>PART NO.</i>	<i>DESCRIPTION</i>
K012	Knob, ECO
L031	Link, #203/266
M006SP	Motor, #203/266, 115V
M007SP	Motor, #203/26 230V, B-8992
N011	Nut, 4-40 Brass
N015	Nut, 8-32, Clinch #SN82NC27
N019	Nut, 10-32 Plated Hex
N023	Nut, 8-32 Plated Hex
N033	Nut, 1/4-28 Thd. Shakeproof (Keps)
P001	Pad, ECO Foot
P029	Pin, Roll 1/8 x 9/16 SS
P040	Pin, #203/266 Toggle
P079	Plate, #203/266 Knife Slide
P088	Plate, #203/266 Motor Slide
P140	Protector, #203 Switch
R023	Relief, Electric Strain
R024	Relief, Strain, English Elect., Small
R046	Rivet, SB 5-6
R047	Rivet, SB 6-6
SO62	Screw, #203/266 Housing
S070	Screw, 10-32 x 5/16 Plated RHM
S071	Screw, 10-32 x 7/16 RHM, Plated
S074	Screw, 4-40 x 5/8 Brass RHM
S078	Screw, 6-32 x 1/4 SS RHM

<i>PART NO.</i>	<i>DESCRIPTION</i>
S083	Screw, 8-32 x 3/16 SS RHM
S085	Screw, 8-32 x 1/4 SS RHM
S086	Screw, 8-32 x 5/8 SS Plated RHM
S145	Spacer, ECO Knifeholder
S158	Spring, ECO Brush (2 req)
S161	Spring, ECO Block
S166	Spring, #203/266 Return
S167	Spring, ECO Tension
S184	Standoff, #203/266 Long
S196	Stud, ECO Knife
S229	Switch, #203/266 Leaf
S235	Switch, #203 Toggle, 7503K13
S241	Spring, Magnet Holder
S370	Screw, 8-32 x 1/2 RHM Plated
T006	Terminal, #203/266 Female, 3/16
T007	Terminal, ECO Round
T021	Track, #203-266 Slide
W001	Washer, #203/266 Bellville Spring
W017	Washer, #10 Ext. Tooth Lock, PTD
W018	Washer, #10 x 3/16 Plated Lock
W034	Washer, ECO Drive Gear Spacer
W040	Washer, #203/266 Thurst
W055	Wire, 18 ga. Black (Electric Jumper)