



F-2001MLJ

Modular Flaker Ice Machine Low-Side Series



F-2001MLJ
07/24/17
Item # 13155

W x D x H
30" x 27¹/₂" x 34⁷/₁₆"*

F-2001MLJ*
Flaker Shown on
optional bin B-900



*Requires a rack system
for installation


Item #: _____


Project: _____

Qty: _____

AIA#: _____

Features

- ▶ Durable stainless steel exterior
- ▶ Advanced CleanCycle24™ design 
- ▶ Stainless steel auger with greaseless bearing

- Up to 2280 lbs. of ice production per 24 hours
- Mount two units, side-by-side, in only 60" of floor space for double the amount of ice production
- 2 second flush cycle every hour
- Flush cycle removes sediment for cleaner ice
- Protected by H-GUARD Plus Antimicrobial Agent 
- Nitrogen holding charge
- Can be used with refrigerant R404A, R407A, and R407F

Available on Bins:

B-250PF B-700PF/SF B-900PF/SF B-1300SS
B-500PF/SF B-800PF/SF B-1150SS

Top kit may be required. See Bin Spec Sheets.

Warranty:

3 Year Parts & Labor on entire machine. 5 Year Parts on Compressor; air-cooled condenser coil. Valid in United States, Canada, Puerto Rico and U.S. Territories. Contact factory for warranty in other countries.



Condenser	Model	ICE PRODUCTION			WATER USAGE			ELECTRICAL			Heat Rejection BTU/hr.	Shipping Weight	ENERGY STAR®
		Air / Water Temp Lbs. per 24 hours 70°/ 50°F 90°/ 70°F	Type of Ice (Hardness Rating)	Potable Gal. per 100 lbs. 90°/ 70°F	Condenser Gal. per 100 lbs. 90°/ 70°F	kWh Used per 100 lbs. 90°/ 70°F	Max. Fuse Size or HACR Circuit Breaker	Amperage	Voltage				
Air-Cooled	F-2001MLJ	2280 1733	Flaked (69.2)	12.0	N/A	0.6	15A	6.1A	115V/60/1	11,600	250 lbs.		

Cube Dimensions* Flaked



* approximate size in inches, image not to scale

Operating Limits

- Ambient Temp Range 45 - 100°F
- Water Temp Range 45 - 90°F
- Water Pressure 10 - 113 PSIG
- Voltage Range 104-127V

Service

- Panels easily removed and all components accessible for service.
- Allow 6" (15 cm) clearance at rear and sides for proper air circulation and ease of maintenance/service. Allow 24" (61 cm) clearance at top to allow removal of auger.

Plumbing

- Icemaker Water Supply Line: Minimum 1/4" Nominal ID Copper Water Tubing or Equivalent
- Icemaker Drain Line: Minimum 3/4" Nominal ID Hard Pipe or Equivalent



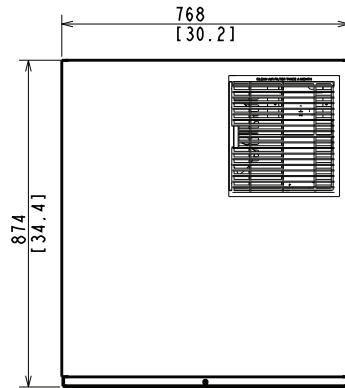
F-2001MLJ

Modular Flaker Ice Machine
Low-Side Series



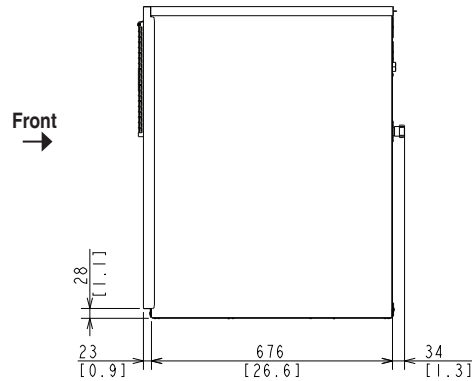
F-2001MLJ
07/24/17
Item # 13155

FRONT VIEW

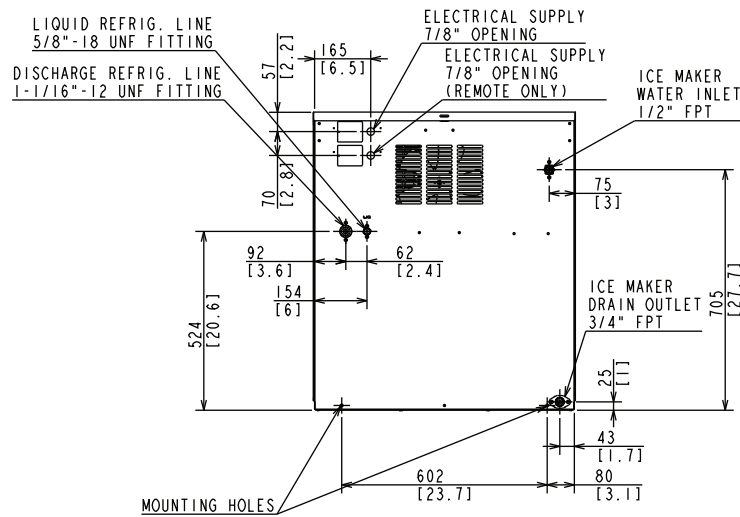


mm
[inch]

SIDE VIEW



REAR VIEW



BOTTOM VIEW

