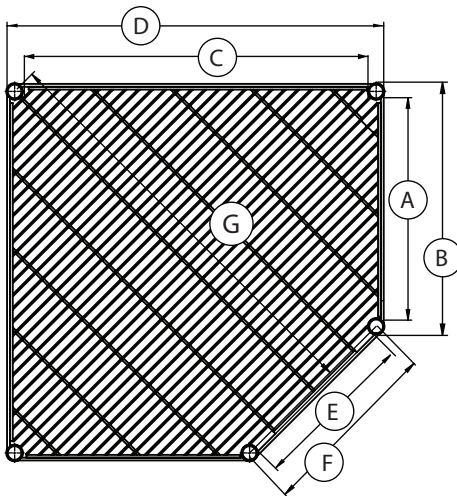




## CORNER SHELVING

- **Design:** The open wire design of these heavy gauge chrome or green epoxy coated shelves minimizes dust accumulation and allows a free circulation of air, greater visibility of stored items and greater light penetration.
- **Versatile:** FOCUS SHELVING can change as quickly as your needs change. By using various sizes, hundreds of shelving configurations become possible.
- **Fast and Secure Assembly:** Posts with the double groove visual guide feature, have circular grooves at 1" (25mm) intervals and are numbered at 2" (50mm) intervals. A tapered split sleeve (plastic) snaps together around each post. Tapered openings in the shelf corners slide over the tapered split sleeves to lock on the shelf. Shelf is assembled in minutes without the use of any special tools.
- **Shelf Ribs:** Run front to back, allowing you to slide items on and off shelves smoothly.
- **Shelf Accessibility:** Shelves can be adjusted at 1" (25mm) intervals along the entire length of the post.
- **Durable:** FOCUS wire shelving is available in two finishes: chromate & green epoxy coated.
- **Adjustable Feet:** Bolt levelers compensate for uneven surfaces.
- **Strength:** Each corner shelf is rated to support up to 650 lbs. of uniformly distributed weight.



### Shelf Dimensions

Shelf Size	A	B	C	D	E	F	G
18" Shelf	15.53" (394mm)	18" (457mm)	26.14" (663mm)	28.55" (725mm)	13.85" (352mm)	16.26" (413mm)	31.09" (789mm)
21" Shelf	18.63" (394mm)	21" (533mm)	29.29" (743mm)	31.55" (801mm)	13.85" (352mm)	16.26" (413mm)	35.33" (897mm)
24" Shelf	21.64" (549mm)	24" (609mm)	32.24" (818mm)	34.55" (877mm)	13.85" (352mm)	16.26" (413mm)	39.58" (1005mm)

Chromate Item #	Green Epoxy Item #	Description	Pack
FF18CC	FF18GC	18" (45.7mm) Corner Shelf	4
FF21CC	FF21CG	21" (53.0mm) Corner Shelf	4
FF24CC	FF24CG	24" (61.0 mm) Corner Shelf	4

FOCUS CORNER SHELVING