



# CONVECTION OVEN

**MARATHONER GOLD**  
GAS, SINGLE DECK

## Standard Features

- ENERGY STAR® qualified (standard depth only)
- Patented, high efficiency, non-clog Jet Stream burners
- 90,000 BTU (NAT or LP)
- Available standard and bakery depths
- Single deck convection oven is 57-1/2" in height (with optional casters)
- Patented "plug-in, plug-out" control panel - easy to service
- Stainless Steel front, sides and top
- Stainless steel rear jacket
- Dependent doors with windows
- Coved, fastener-free, porcelain interior
- Heavy duty, cool touch, stainless steel door handle
- Soft Air, two speed, 1/2 hp, fan motor
- 11-position rack guides and 5 plated oven racks
- Electronic ignition with solid state temperature controls
- Forced cool down fan mode
- Oven "ready" light -cycles with burners
- Interior oven lights

**GS/15SC, GS/15CCH,  
GB/15SC, GB/15CCH**



*(GS/15SC shown with optional casters)*

## Available Controls

### SC-Standard Controls

140°F to 500°F solid state thermostat and 60 minute mechanical cook timer.

### CCH-Cycle / Cook & Hold Control

150°F to 500°F temperature controller with 140°F to 200°F "Hold" thermostat Dual digital display shows time and temperature. A fan cycle timer pulses the fan.

## STANDARD CONSTRUCTION SPECIFICATIONS

**Exterior Finish:** Stainless steel front, sides, top and rear jacket.

**Doors:** Dependent doors with windows. Stainless steel construction, heavy-duty welded steel frame and 5/8" diameter full-length hinge pin.

**Oven Interior:** Porcelain enamel finish, coved, fastener free.

**Rack and Rack Guides:** Heavy-duty removable wire rack guides spaced on 1-5/8" centers offer 11 different rack positions. 5 wire racks provided with each oven.

**Blower Fan and Motor:** 1/2hp, 2-speed motor, 1725/1140 r.p.m

**Legs:** 26" Stainless steel, triangular legs standard.

**Oven Heating:** 90,000 BTU (NAT or LP). Oven heating is regulated by an adjustable solid state thermostat control. Jet Stream style burners direct flame towards rear of combustion chamber. Combustion products are drawn into oven interior and recirculated prior to venting.

**Electronic Ignition:** Hot surface ignitor with flame safety device.

**Control Panel:** Located of front, at right side of oven, away from heat zone. Removable panel opens downward for easy servicing.

**Interior Lights:** Two 40 watt high temperature recessed lamps located within the oven cavity.

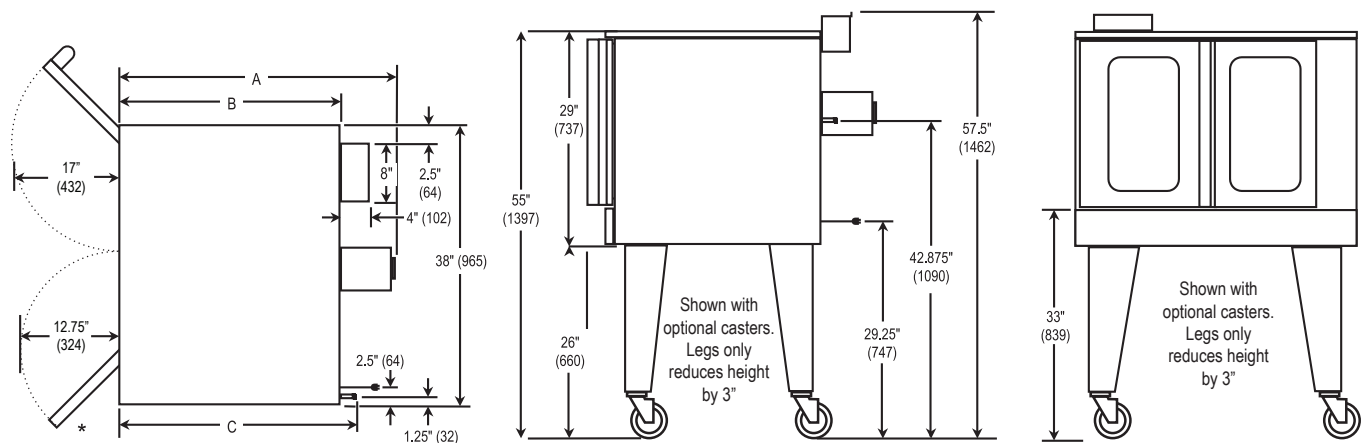
**Note:** Oven cannot be operated without fan in operation.

Job  
Item#



Models: GS/15SC      GB/15SC      GS/15CCH      GB/15CCH

Dimensions -in (mm)



| MODEL | DEPTH            |                 |                  | OVEN INTERIOR |                |              | RACK CLEARANCE  |                 | SHIPPING CRATE |               |               |                               |                        |
|-------|------------------|-----------------|------------------|---------------|----------------|--------------|-----------------|-----------------|----------------|---------------|---------------|-------------------------------|------------------------|
|       | A                | B               | C                | WIDTH         | DEPTH          | HEIGHT       | WIDTH           | DEPTH           | WIDTH          | DEPTH         | HEIGHT        | VOLUME                        | WEIGHT                 |
| GS/15 | 39.75"<br>(1010) | 30"<br>(763)    | 34.38"<br>(873)  | 29"<br>(737)  | 22.5"<br>(572) | 20"<br>(508) | 28.25"<br>(718) | 22"<br>(559)    | 48"<br>(1220)  | 57"<br>(1448) | 46"<br>(1168) | 65.2 cu. ft.<br>(1.85 cu. m.) | 620 lbs<br>(281.2 kg.) |
| GB/15 | 46.75"<br>(1187) | 36.38"<br>(924) | 40.75"<br>(1035) | 29"<br>(737)  | 28"<br>(711)   | 20"<br>(508) | 28.25"<br>(718) | 27.25"<br>(692) | 48"<br>(1220)  | 57"<br>(1448) | 46"<br>(1168) | 65.2 cu. ft.<br>(1.85 cu. m.) | 690 lbs<br>(313.0 kg.) |

**Note:** When shipped on legs, crated height is 69" (1753 mm)

### UTILITY INFORMATION

- GAS:**
- Standard and Bakery Depth: 90,000 BTU (NAT ro LP) per oven cavity
  - One 3/4" male connection
  - Required minimum inlet pressure:
    - Natural gas 7" W.C.
    - Propane gas 11" W.C.

**ELECTRIC:** Standard: 120/60/1 phase, furnished with 6' cord w/3-prong plug (1 plug/deck). NEMA #5-15p. Total maximum amps 7.9. Optional: 208/60/1 or 3\* phase (190-219 volts). Supply must be wired to junction box with terminal block located at rear. Total maximum amps 4.3 per deck. Optional: 240/60/1 or 3\* phase (220-240 volts). Supply must be wired to junction box with terminal block located at rear. Total maximum amps 3.8 per deck. Optional: 240/50/1 or 3\* phase (208-240 volts). Supply must be wired to junction box with terminal block located at rear. Total maximum amps 6.0 per deck

\* All units are shipped single phase. Single phase units can be easily converted to three phase

### MISCELLANEOUS

- If using flex hose connector, the I.D should not be smaller than 3/4" and must comply with ANSI Z 21.69.
- If casters are used with flex hose, a restraining device should be used to eliminate undue strain on the flex hose.
- Clearances from combustibles: Top-0", bottom-0", right side-0" and left-3"
- Recommend - install under vented hood
- Check local codes for fire and sanitary regulations
- If the unit is connected directly to the outside flue, an A.G.A approved down draft diverter must be installed at the flue outlet of the oven
- Oven cannot be operated without fan in operation

Notice: Southbend reserves the right to change specifications and product design without notice. Such revisions do not entitle the buyer to corresponding changes, improvements, additions, or replacements for previously purchased equipment.

### OPTIONS AND ACCESSORIES

- Stainless Steel oven interior
- Bolt-down flanged legs
- Down draft diverter for direct flue
- Stainless Steel exterior bottom
- Swivel Caster - front with locks
- 3/4" quick disconnect with flexible hose (specify length: 3ft, 4ft, or 5ft)
- 6" stainless steel legs
- Knocked down packaging
- 2" air insulation panel ( stainless steel only)
- 208/240V 50/60 cycle ( for use on 1 or 3 phase)
- Export Crating
- Extra oven racks

**INTENDED FOR COMMERCIAL USE ONLY.  
NOT FOR HOUSEHOLD USE.**



1100 Old Honeycutt Road, Fuquay-Varina, NC 27526  
(919) 762-1000 www.southbendnc.com