

# manual multipurpose oven

models : **GS1010 & GS1015**



## FUNCTIONAL FEATURES

- Bakes (1) 12" original crust pizza in approximately 8–12 minutes

## CONSTRUCTION FEATURES

- Removable clean out tray
- Mechanical 15 minute timer
- Long life calrod heating elements
- Flip up handle design for easier storage

### Model GS1010:

- Opening: 2<sup>9</sup>/<sub>16</sub>" x 17<sup>1</sup>/<sub>2</sub>"
- Timer features 'hold' option
- Variable control thermostat from 100°F to 675°F

### Model GS1015:

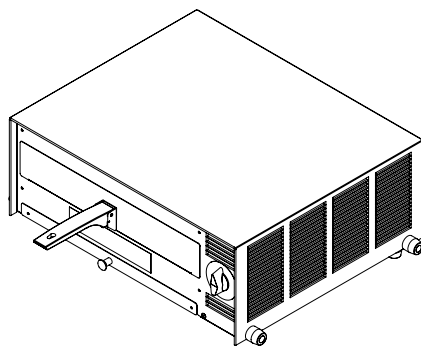
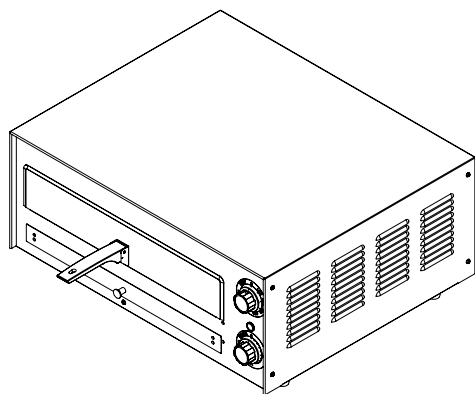
- Opening: 17<sup>7</sup>/<sub>8</sub>" x 13"
- Preset Thermostat (approximately 500°F)
- Bakes (1) 12" original crust pizza in approximately 8–12 minutes

Produce perfect pizza! These versatile ovens were designed for baking thin or original crust frozen pizzas. Commercial quality countertop ovens have dual position elements which are designed to cook quickly and consistently with no preheating required. Prepare anything you would normally cook in your toaster oven including garlic and cheese breads, egg rolls, bagels, and other food items of a non-greasy nature.



# manual multipurpose oven

models : GS1010 & GS1015



**SPECIFICATIONS MODEL GS1010:**

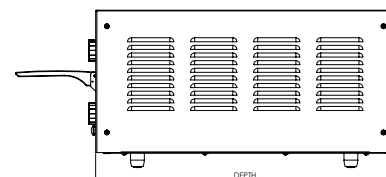
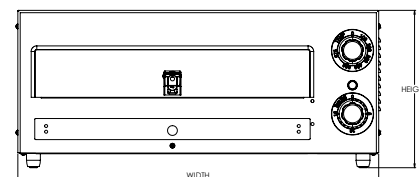
Width .....23.625"  
 Depth .....19.5"  
 Height .....10.25"  
 Grill/Rack ..... 17" x17"  
 Shipping Dimensions .....27" x23" x12"  
 Shipping Weight .....41 lbs  
**Voltage..... 120**  
**Wattage ..... 1700**  
**Amps ..... 14.2**

- Best when operated on an individual branch circuit
- 5-ft power cord length

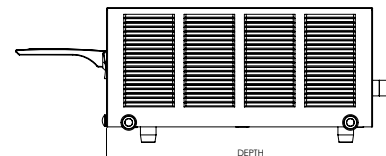
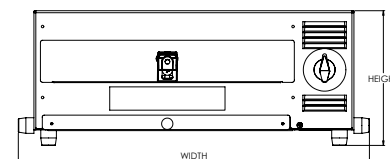
**SPECIFICATIONS MODEL GS1015:**

Width .....18"  
 Depth .....15"  
 Height .....7.75"  
 Grill/Rack ..... 13" x13"  
 Shipping Dimensions .....21" x19" x10"  
 Shipping Weight .....20 lbs  
**Voltage..... 120**  
**Wattage ..... 1450**  
**Amps ..... 12**

- Best when operated on an individual branch circuit
- 5-ft power cord length



MODEL GS1010



MODEL GS1015