

# manual convection oven

models : **GS1105-17 & GS1105-28**



## CAPACITY

3- 18" x 13" / 46cm x 33cm half size pans

## FUNCTIONAL FEATURES

- Set temperature from 200°F to 500°F
- Cooking time adjustable up to 2 hours or "infinite" time to adjust cooking duration
- Convection cooking

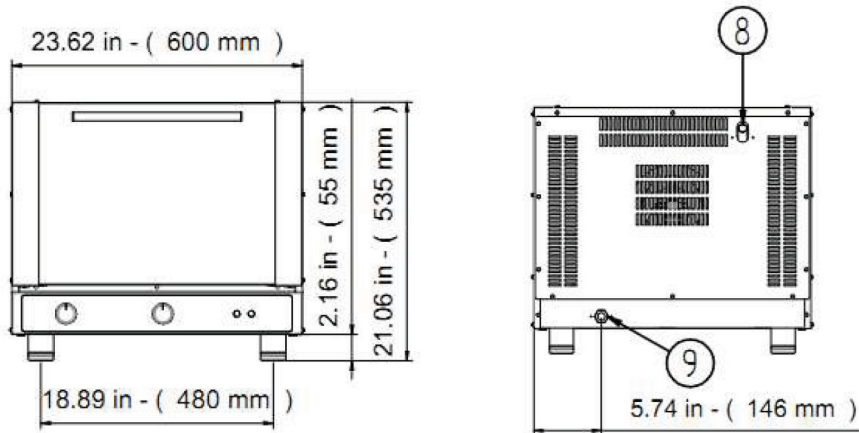
## CONSTRUCTION FEATURES

- Cooking chamber entirely made with stainless steel
- Oven shell entirely made with stainless steel
- Inspection door to facilitate cleaning operations
- Recessed gasket to guarantee chamber cooking seal

Great for any size kitchen that needs to bake in small batches. This half size convection oven is the perfect space-saving solution for a tight kitchen.

# manual convection oven

models : **GS1105-17 & GS1105-28**



- 8. Steam Exhaust
- 9. Cable Gland for Power Supply

**INSTALLATION REQUIREMENTS:**

- The oven must be positioned on a leveled surface
- Hot surfaces must comply with the minimum distances from the oven:
  - LEFT SIDE: 19.7" (50cm)
  - RIGHT SIDE: 19.7" (50cm)
  - REAR PANEL: 19.7" (50cm)
- Other surfaces must comply with the minimum distances from the oven:
  - LEFT SIDE: 3.94" (10cm)
  - RIGHT SIDE: 3.94" (10cm)
  - REAR PANEL: 3.94" (10cm)

**SPECIFICATIONS MODEL GS1105-17:**

Width..... 23.62" (60cm)  
 Depth..... 27.91" (70.9cm)  
 Height..... 21.06" (53.49cm)  
 Unit Weight ..... 87 lbs (39.4kg)  
 Shipping Weight ..... 98 lbs (44.4kg)  
**Voltage..... 120**  
**Rated Wattage ..... 1750**  
**Nominal Amps ..... 14**  
**Plug Configuration ..... NEMA 5-20**

**SPECIFICATIONS MODEL GS1105-28:**

Width..... 23.62" (60cm)  
 Depth..... 27.91" (70.9cm)  
 Height..... 21.06" (53.49cm)  
 Unit Weight ..... 87 lbs (39.4kg)  
 Shipping Weight ..... 98 lbs (44.4kg)  
**Voltage..... 208-240**  
**Rated Wattage ..... 2650-2800**  
**Nominal Amps ..... 11-12.5**  
**Plug Configuration ..... NEMA 6-20**