



Project Name: _____ AIA#: _____ Model #: _____

Location: _____ SIS#: _____ Item #: _____ Quantity: _____



C24GG

Chefmate™ Gas Griddles Manual Controls

Models

- C24GG - 24" Gas Griddle
- C36GG - 36" Gas Griddle



GLOBE FOOD EQUIPMENT COMPANY

Chefmate™ Gas Griddles, Manual Controls C24GG / C36GG

Quality Construction

- Available in 24" and 36" widths
- Stainless steel construction and extended cool-to-touch front edge
- 3/4" polished griddle plate provides uniform heat distribution
- Durable steel U-style burner provides heat control every 12" and flame every 6"

Standard Features

- High performance 30,000 BTUs per burner
- Manual controls
- Adjustable pilots with front access
- 3.25" H back and side splash
- Spatula wide 3.25" trough
- Stainless steel legs with adjustable feet
- Cooktop lifts off completely for easy cleaning and servicing
- Unit ships Natural Gas with LP conversion kit included

Warranty

- One-year parts and labor

Standard Accessories

- Stainless Steel Catch Tray
- LP Conversion Kit
- Regulator



GLOBE FOOD EQUIPMENT COMPANY
2153 Dryden Rd., Dayton, OH 45439
Phone: 937-299-5493 Fax: 937-299-4147
800-347-5423

www.globeslicers.com

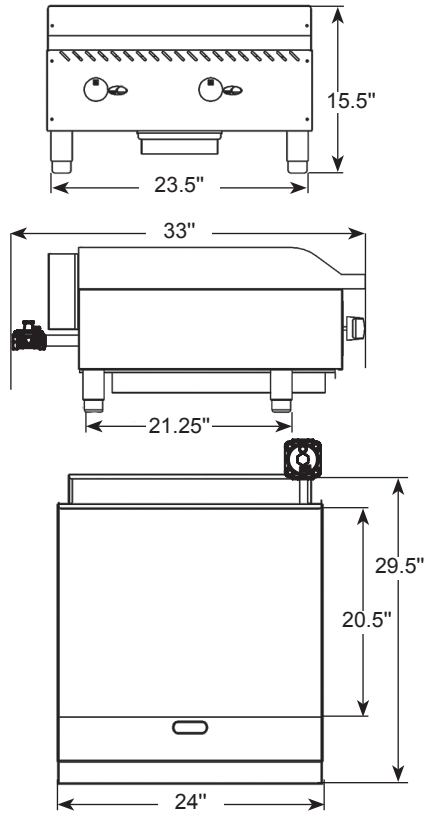
Approved By: _____

Date: _____

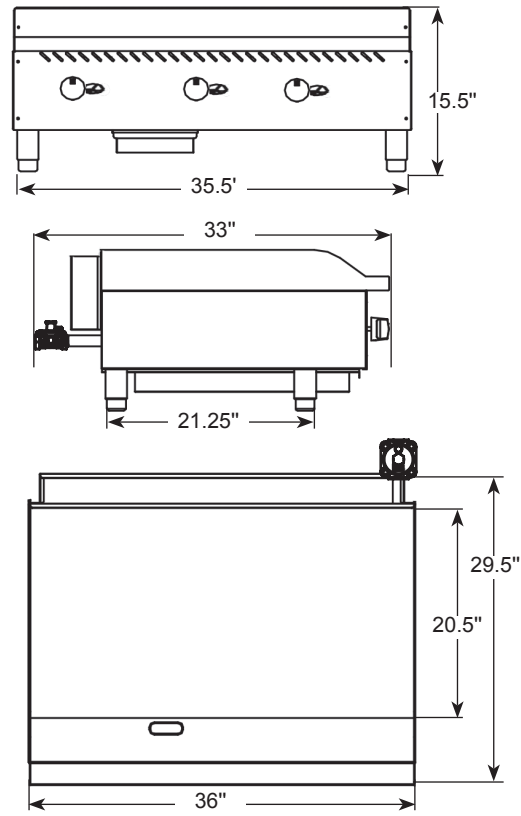


Chefmate™ Gas Griddles, Manual Controls C24GG / C36GG

C24GG



C36GG



For Indoor Use Only

SPECIFICATIONS

GAS REQUIREMENTS:

- Natural Gas or Liquid Propane Gas main supply required
- All units ship Natural Gas ready. Liquid Propane conversion kit is included for kitchens equipped with this gas type. Conversion of your unit from Natural Gas to LP must be completed by an authorized Globe servicer
- 3/4" standard pipe size I.D. connection
- 30,000 BTUs per burner
- One pilot per burner

Model	Griddle Cooking Area	Controls	Number of Burners	BTUs (per burner)	Total BTUs
C24GG	20.5" D X 24" W	Manual	2	30,000	60,000
C36GG	20.5" D X 36" W	Manual	3	30,000	90,000

STANDARD FEATURES:

- All stainless steel construction
- LP conversion kit
- 3/4" griddle plate
- Regulator
- Catch tray

DIMENSIONS & SHIPPING INFORMATION

Freight Class 85

Carton reinforced for shipping. The weight and dimensions of reinforced carton are included below and may vary from shipment to shipment. **These items are shipped on a pallet.**

Model	Foot Print	Overall Dimensions	Net Weight	Shipping Dimensions	Shipping Weight
C24GG	21.25" L x 23.5" W (54 cm x 60 cm)	33" L x 24" W x 15.5" H (84 cm x 61 cm x 33.7 cm)	139 lbs (63 kg)	35" L x 29" W x 19" H (90 cm x 73 cm x 49 cm)	185 lbs (84 kg)
C36GG	21.25" L x 35.5" W (54 cm x 90 cm)	33" L x 36" W x 15.5" H (84 cm x 91 cm x 39.7 cm)	225 lbs (102 kg)	35" L x 41" W x 19" H (90 cm x 105 cm x 49 cm)	285 lbs (129 kg)



GLOBE FOOD EQUIPMENT COMPANY

www.globeslicers.com

2153 Dryden Rd.
Dayton, OH 45439
Phone: 937-299-5493
Phone: 800-347-5423
Fax: 937-299-4147