

H-63, H-65 AND H-70 HOTPLATES

H-63, H-65 AND H-70 HOTPLATES



Wells Hotplates H-63, H-65 and H-70 have a reliable, functional design. The H-63 and H-65 have a wider element to allow for more surface contact and removable drip trays for easy clean-up. The H-70 is engineered for uniform heat distribution, which is ideal for heating large stock pots.

Features

- H-63 and H-65 have eight inch diameter, one-piece, self-cleaning, spiral-pattern elements that are individually controlled by an infinite control with a positive-off position.
- H-70 has french-plate elements that are nine inches in diameter. The larger surface area allows even heat distribution that is ideal for heating large stock pots.
- Control knobs are front-mounted with a protective guard ring to help prevent accidental temperature changes.
- Drip Trays are stainless steel and removable for easy cleaning (H-63 and H-65 only).
- The H-63, H-65 and H-70 Hotplates are Underwriters Laboratories, Inc. LISTED and meet the National Sanitation Foundation and Canadian standards.
- A one-year warranty against defects covers parts and labor.

Specifications

Dimensions:	Inches	MM
Overall Dimensions (H-63):		
Width	14 3/4	375
Depth	23 1/2	597
Height (incl. 4" legs)	12 3/8	314
Overall Dimensions (H-65):		
Width	13	330
Depth	29 9/16	751
Height (incl. 4" legs)	12 3/8	314
Overall Dimensions (H-70):		
Width	14 3/4	375
Depth	23 1/2	597
Height (incl. 4" legs)	12 3/8	314
Temperature Settings:	OFF/LO to HI	
Number of Controls:	2	
Weights:	Lbs.	KG
H-63:		
Installed	26	12
Shipping	30	14
H-65:		
Installed	22	10
Shipping	26	13
H-70:		
Installed	32	15
Shipping	35	16

Accessories / Options

- Legs, set of four, 4" adjustable, metal, 20563
- Cordset, 30 AMP, 1Ø, NEMA 6-30P, 20141
- H-63 with Cordset, 21622

Export

The following models are available for export and meet the standards for CE:

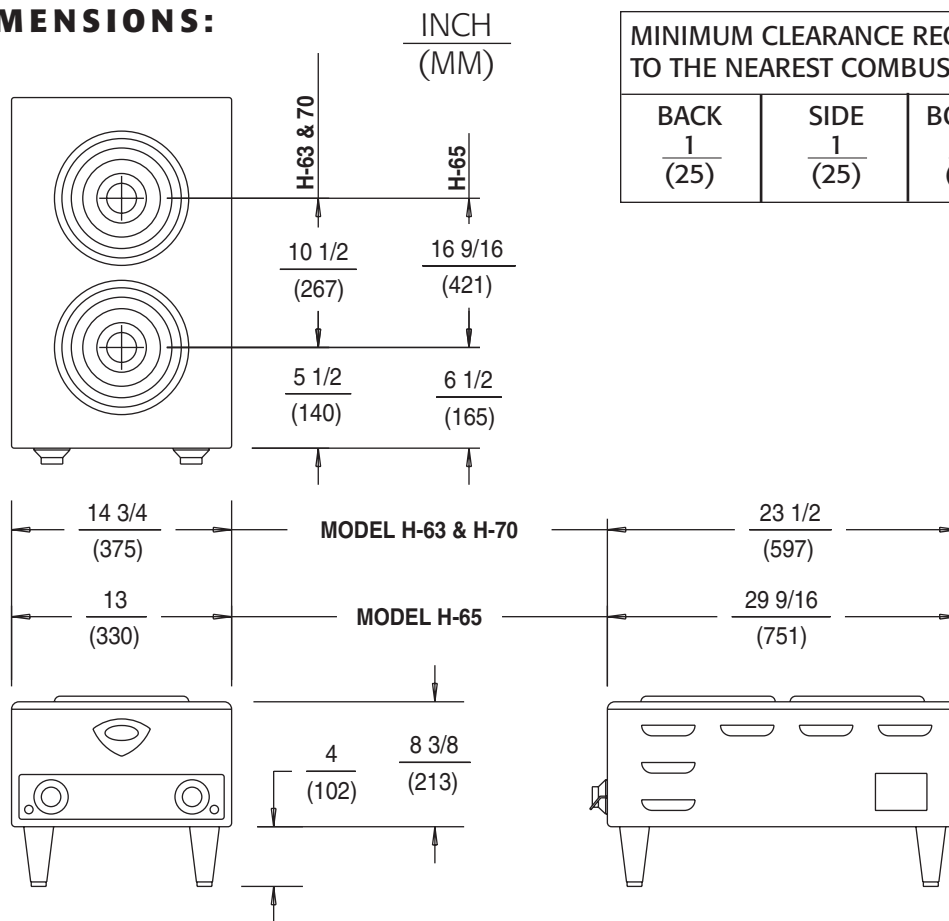
- H-70EU, 220-240V, 1Ø, 4 KW





MODELS H-63, H-65, H-70 HOTPLATES

DIMENSIONS:



MINIMUM CLEARANCE REQUIRED FROM UNIT TO THE NEAREST COMBUSTIBLE OBJECT.			
BACK	SIDE	BOTTOM	TOP
$\frac{1}{(25)}$	$\frac{1}{(25)}$	$\frac{4}{(102)}$	$\frac{NA}{NA}$

H-63, H-65 AND H-70 ELECTRICAL SPECIFICATIONS:

MODELS	VOLTS	WATTS	AMPS PER LINE PHASE 3			AMPS SINGLE PHASE	POWER SUPPLY CORD
			L1	L2	L3		
H-63	208	3900	16.3	9.4	9.4	18.8	NONE
H-63	240	5200	18.8	10.8	10.8	21.7	NONE
H-65	208	3900	16.3	9.4	9.4	18.8	NONE
H-65	240	5200	18.8	10.8	10.8	21.7	NONE
H-70	208	3000	12.5	7.2	7.2	14.4	NONE
H-70	240	4000	14.4	8.3	8.3	16.7	NONE
H-70EU	220-240	4000	-	-	-	16.7	NONE

Denotes export (EU) products.

NOTE: Specifications are subject to change without notice. See installation instruction sheet prior to installing unit. This document is not for installation purposes.
The H-63 and H-65 are equipped with coiled elements. The H-70 has solid elements.

WELLS MANUFACTURING COMPANY

2 ERIK CIRCLE, PO BOX 280, VERDI, NV 89439 U.S.A.

USA PHONE: (775) 689-5700 • FAX: (775) 689-5972

FOR ORDERS ONLY: (888) 356-5362 • FAX: (800) 356-5142 • www.wellsbloomfield.com

A SPECIALTY EQUIPMENT COMPANY • 2000 WELLS MANUFACTURING • PRINTED IN THE U.S.A.
6/00 • REV(H) • PART NO. 37090

