

ITEM #: _____ QTY: _____
 MODEL #: _____
 PROJECT NAME: _____

051018

3601 S. Banker St. Effingham, IL 62401 • P.O. BOX 609 • Ph: (888) 431-2667 • Fax: (800) 433-2667

"CU-HAR" HARVEST TABLE

FEATURES:

- NORTHERN HARD ROCK MAPLE END GRAIN TOP, STANDARD BOOS BLOCK CREAM FINISH WITH BEESWAX
- 3 WICKER BASKETS
- 2 PAINTED SLATTED SHELVES
- SEE BASE COLOR SPEC SHEET FOR COLOR OPTIONS



WAL-CU-HAR60

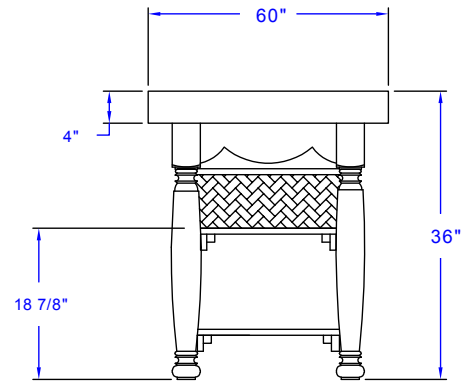
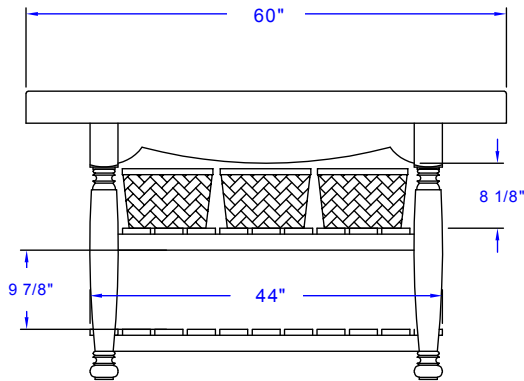
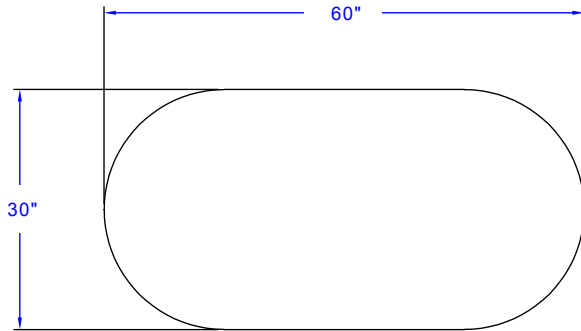


CU-HAR60

HARVEST TABLE

MODEL #	QTY
CU-HAR60	
WAL-CU-HAR60	

DETAILED SPECIFICATIONS



HARVEST TABLE

MODEL #	SIZE	HEIGHT	WEIGHT (LBS)
CU-HAR60	60" X 30" X 4"	36"	280
WAL-CU-HAR60	60" X 30" X 4"	36"	260

SOME UNITS SHIP UNASSEMBLED FOR REDUCED SHIPPING COST. ALL DIMENSIONS ARE TYPICAL. TOLERANCE +/- .500"
 John Boos & Co. is constantly engaged in a program of improving products and therefore reserves the right to change specifications without prior notice.



3601 S. Banker St. • Effingham, IL 62401 • PO BOX 609 • quotes@johnboos.com

www.johnboos.com

051018

173