

C-101BAH-(AD)DS*

Item # _____

Project: _____

Qty: _____

*AutoCad available on KCL

SELF-CONTAINED CUBELET WITH BUILT-IN STORAGE BIN (ADA Compliant with Customized Door System)

C-101BAH-(AD)DS

7/21/15

Item # 13324

CUBELET DIMENSIONS

W x D x H

C-101BAH

14^{7/8} x 22^{5/8} x 33^{1/2}

C-101BAH-AD

14^{7/8} x 22^{5/8} x 31^{1/2}

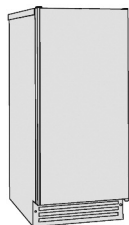
C-101BAH-DS

14^{7/8} x 22^{5/8} x 33^{1/2}

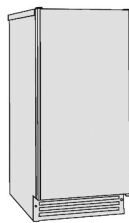
C-101BAH-ADDS

14^{7/8} x 22^{5/8} x 31^{1/2}

*DS - Designed to accommodate custom cabinetry to affix to stainless door.



C-101BAH-(DS)



C-101BAH-AD(DS)

C-101BAH

Air-Cooled
Shown

C-101BAH-AD

Air-Cooled
ADA Compliant Unit



C-101BAH-DS*

Air-Cooled
Shown
with Custom Cabinetry

C-101BAH-ADDS*

Air-Cooled
ADA Compliant Unit



*Customer responsible for providing cabinetry

C-101BAH & C-101BAH-DS

- Undercounter design is less than 34 inches tall

C-101BAH-AD & C-101BAH-ADDS

- Undercounter design is less than 32 inches tall, which complies with the Americans with Disabilities Act (ADA)

C-101BAH-(DS) & C-101BAH-AD(DS)

- Up to 92 lbs. of ice production per 24 hours, up to 22 lbs. of built-in storage capacity
- Easy to chew, cubelet ice
- UL approval for outdoor use
- Front access and electronic parts provide ease of cleaning and maintenance
- Swing style reversible door
- Side and top trim kit available
- Accessory - HS-5061 Drain Pump Assembly - with designated mounting inside machine
- R-134A Refrigerant

* The C-101BAH, C-101BAH-AD, C-101BAH-(DS) and C-101BAH-AD(DS) are ENERGY STAR qualified.

Warranty

Valid in United States, Canada, Puerto Rico, & U.S. Territories. Contact factory for warranty in other countries.

Two Year - Parts & Labor on entire machine.

One Year - HS-5061 Drain Pump Assembly - Parts & Labor.



© HOSHIZAKI AMERICA, INC.

618 Hwy. 74 S., Peachtree City, GA 30269

TEL 1-800-438-6087

FAX 1-800-345-1325

www.hoshizaki.com



C-101BAH-(AD)DS

SELF-CONTAINED CUBELET WITH BUILT-IN STORAGE BIN

DIMENSIONS

W x D x H

C-101BAH / C-101BAH-DS
14^{7/8} x 22^{5/8} x 33^{1/2}

C-101BAH-AD / C-101BAH-ADDS
14^{7/8} x 22^{5/8} x 31^{1/2}

- Air-cooled
- ADA compliant

AIR-COOLED

| Water Temp ° F. | 50° | 70° | 90° |
|-----------------|-----|-----|-----|
| Air Temp ° F. | | | |
| 70° | 92 | 89 | 84 |
| 80° | 81 | 71 | 66 |
| 90° | 66 | 62 | 57 |

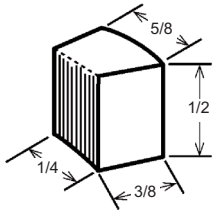
UTILITY CONSUMPTION (AIR 70°F/WATER 50°F)

| Model Number | KWH per 100 LBS. | Potable Water Gal. per 100 lbs. | Condenser Water Gal. per 100 lbs. |
|-----------------|------------------|---------------------------------|-----------------------------------|
| C-101BAH-(AD)DS | 12.1 | 12 | N/A |

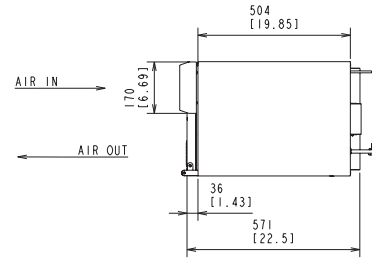
SPECIFICATIONS

| Model Number | Condenser | Amperage | Min. Circuit Ampacity | Shipping Weight |
|-----------------|------------|----------|-----------------------|-----------------|
| C-101BAH-(AD)DS | Air-Cooled | 4.0 | 15 | 120 lbs. |

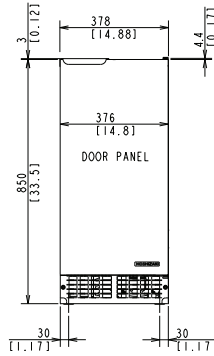
*CUBELET DIMENSIONS



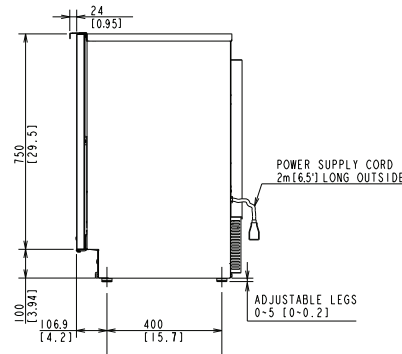
*approximate size
image not to scale



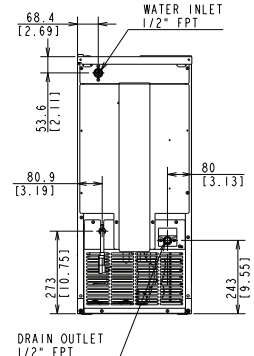
TOP DIMENSIONS



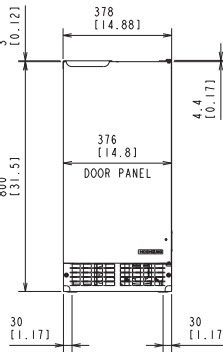
FRONT DIMENSIONS



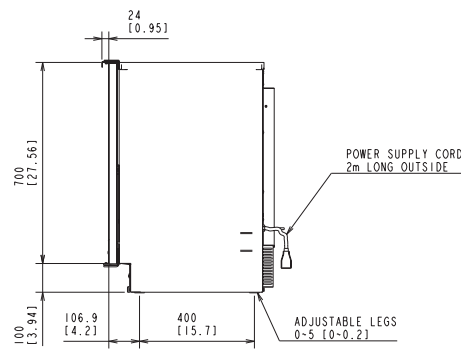
SIDE DIMENSIONS



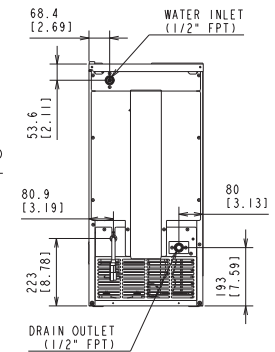
BACK DIMENSIONS



FRONT DIMENSIONS
(ADA compliant unit)



SIDE DIMENSIONS
(ADA compliant unit)



BACK DIMENSIONS
(ADA compliant unit)

ELECTRICAL & PLUMBING/C-101BAH-AD(DS)

- 115V/60/1
- 6.5' (2 m) Power Cord with NEMA 5-15P Plug
- 15 amp Max Fuse/HACR Breaker Size
- Icemaker Water Supply Line: Minimum 1/4" Nominal ID Copper Water Tubing or Equivalent
- Icemaker Drain Line: Minimum 1/2" Nominal ID Hard Pipe or Equivalent

OPERATING LIMITS

- Ambient Temp Range 45 - 100°F
- Water Temp Range 45 - 90°F
- Water Pressure 7 - 113psig
- Voltage Range 104 - 127V

