

\* Remote condenser shown with optional guard

## Features

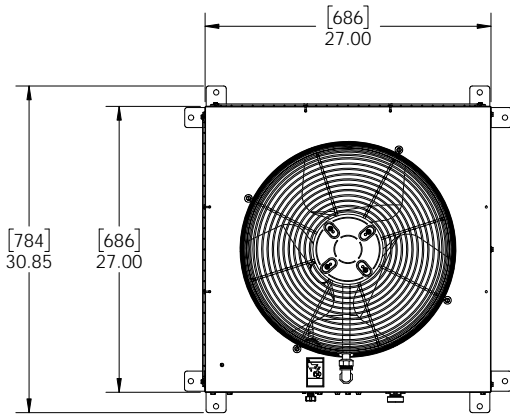
- Lightweight construction and an aluminum coil help reduce weight by nearly 20% compared to previous models.
- Condenser fits through a standard 30" x 36" roof hatch for ease of installation.
- Easy assembly and installation with innovative legs.
- More efficient motor reduces energy usage by 25% - 50%.
- Environmentally responsible – all remote condensers use R404A, an approved non-ozone depleting refrigerant.
- Constructed from sturdy, corrosion-resistant galvanized steel.
- Reduces air conditioning requirements and cost.
- Fan is located outside, ensuring quiet operation for customers.

## Required Accessories

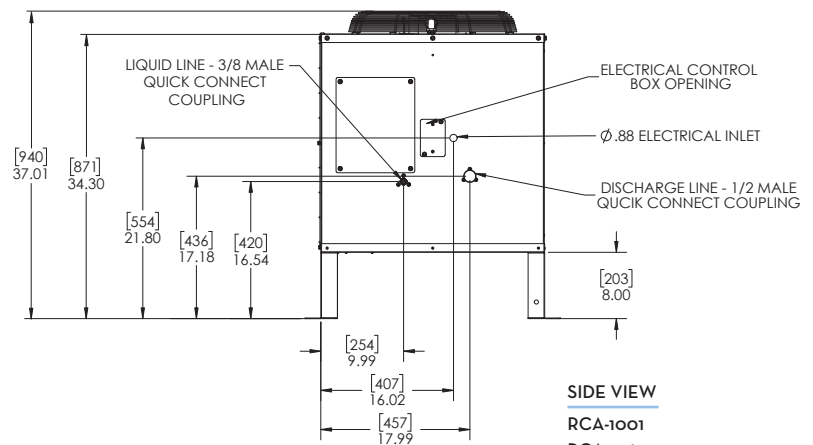
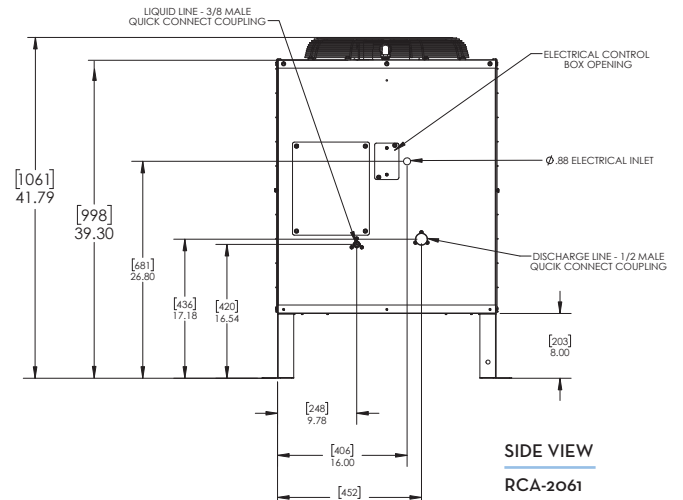
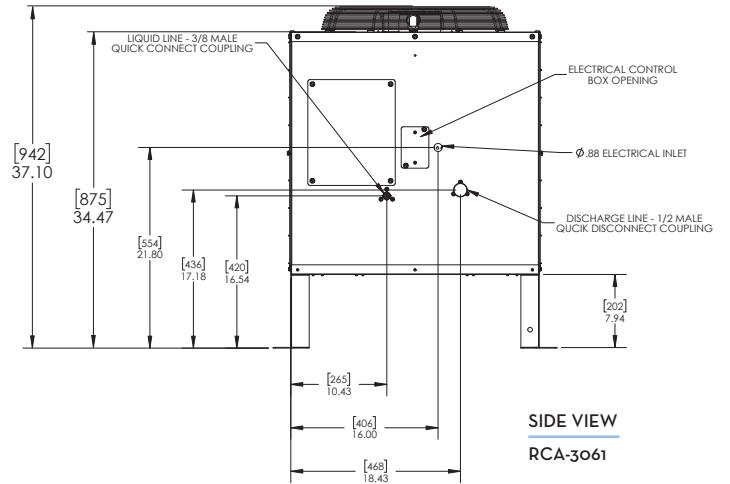
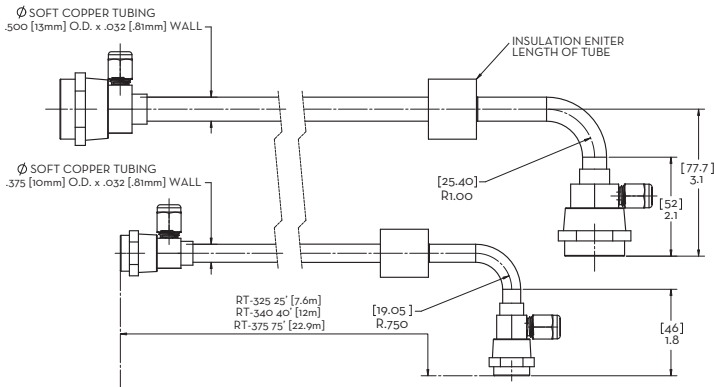
Model Number	Description	Shipping Weight lbs (kg)
RT-325-4O4	25 ft (7.6 m) Precharged Tubing Kit for R404A Models	13 (6)
RT-340-4O4	40 ft (12.0 m) Precharged Tubing Kit for R404A Models	18 (8)
RT-375-4O4	75 ft (22.9 m) Precharged Tubing Kit for R404A Models	36 (16)
1051222-01	Optional Grill Guard Kit for RCA-1001, RCA-1061, RGA-1001-HM and RGA-1061-HM	8 (3.6)
1051222-02	Optional Grill Guard Kit for RCA-2061	12 (5.4)
1051222-03	Optional Grill Guard Kit for RCA-3061	10 (4.5)

## Specifications

Model Number	Description	Voltage Characteristics	Fan Watts	Shipping Weight lbs (kg)
RCA-1001	Remote Condenser for model ICE0500R	115/60/1	93.2	97 (44)
RCA-1061	Remote Condenser for model ICE0606R, ICE605R, ICE0805R, ICE0806R	208-230/50-60/1		111 (50)
RCA-2061	Remote Condenser for models ICE0926R, ICE1006R, ICE1005R, ICE1007R, ICE1405R, ICE1406R, ICE1407R, ICE1506R, ICE1806R, ICE1807R			119 (54)
RCA-3061	Remote Condenser for models ICE2106R, ICE2107R			97 (44)
RGA-1001-HM	Remote Condenser for models GEMO650R, MFIO800R	115/60/1	93.2	97 (44)
RGA-1061-HM	Remote Condenser for models GEMO956R, GEM1306R, MFI1506R, MFI1256R	208-230/50-60/1		



TOP VIEW - ALL MODELS



NOTES:  
 Number of Wires: 3 (including ground)  
 Refrigerant Type: R404A