

Heavy Duty Griddles Manually Controlled and Open Burner Combinations



Model IMGA-3628

Griddle Features

- Range match profile when placed on a refrigerated base or equipment stand.
- Stainless steel front, sides, and landing ledge.
- Welded stainless steel seams.
- Large 5" (127) stainless steel landing ledge.
- 4" (102) heavy duty stainless steel legs with adjustable feet.
- One year parts and labor warranty.
- AGA and CGA design certified and NSF listed.



Model Numbers

Manually Controlled Griddles

- IMGA-2428 IMGA-3628
- IMGA-4828 IMGA-6028
- IMGA-7228

Manually Controlled Griddles with 2 Open Burner Combinations

- IMGA-2428-OB-2 IMGA-3628-OB-2
- IMGA-4828-OB-2 IMGA-6028-OB-2
- IMGA-7228-OB-2

Cook Top Features - Griddle Top

- Aeration baffles between burners spreads heat across griddle for more even heating.
- Full width rear flue distributes heat uniformly across griddle surface.
- One burner every 12" (305), rated at 30,000 BTU/hr (9 KW) ea.
- Each burner has an adjustable gas valve and continuous pilot for instant ignition.
- Thick 3/4" (19) highly polished steel griddle plate for a wide variety of cooking applications. Optional 1" (25) thick plate and optional chrome griddle top also available.
- Full 24" (610) depth plate for more cooking surface.
- Stainless steel grease trough, one piece rolled front.
- Large grease can with 1 gal. (3.8 L) capacity.
- 3 1/2" (89) wide grease gutter.

Cook Top Features - Open Burner Combinations

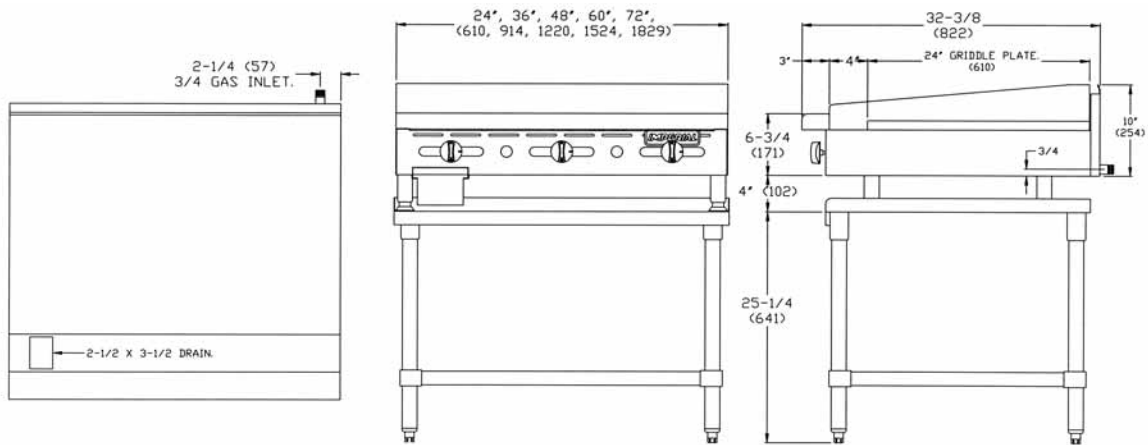
- PyroCentric™ burner heads with two rings of flame for even cooking no matter the pan size.
- PyroCentric burners are 28,000 BTU/hr (8 KW) with a 7,000 BTU/hr. (2 KW) low simmer feature.
- Cast iron burners are anti-clogging and removable for easy cleaning.
- No gaskets or screws.
- Grates are in 12" x 12" (305 x 305) sections to easily lift off for cleaning.
- Anti-clogging shield designed in the grate protects the pilot from grease and debris.
- Pots slide easily from section to section.

All measurements in () are metric equivalents.

Imperial Commercial Cooking Equipment

1128 Sherborn Street ■ Corona, CA 92879 ■ 800.343.7790 ■ Ph: 951.281.1830 ■ Fx: 951.281.1879
www.imperialrange.com ■ E-mail: imperialsales@imperialrange.com

Imperial Heavy Duty Griddle Series - Manually Controlled



Specification #:

Model#	Griddle Width	Griddle Burners	Overall Width	Gas Output B.T.U. (KW)	Ship Weight (Kg.)	Lbs.	Stand Model#	Ship Weight (Kg.)	Lbs.
Manually Controlled Griddles									
IMGA-2428	24" (610)	2	24" (610)	60,000 (18)	91	200	IMGS-24	23	50
IMGA-3628	36" (914)	3	36" (914)	90,000 (26)	138	305	IMGS-36	32	70
IMGA-4828	48" (1219)	4	48" (1219)	120,000 (35)	163	360	IMGS-48	39	85
IMGA-6028	60" (1524)	5	60" (1524)	150,000 (18)	188	415	IMGS-60	48	105
IMGA-7228	72" (1829)	6	72" (1829)	180,000 (18)	290	640	IMGS-72	62	135
Manually Controlled Griddles with (2) Open Burner Combinations									
IMGA-2428-OB-2	24" (610)	2	36" (914)	116,000 (34)	141	310	IMGS-36	32	70
IMGA-3628-OB-2	36" (914)	3	48" (1219)	146,000 (43)	179	395	IMGS-48	39	85
IMGA-4828-OB-2	48" (1219)	4	60" (1524)	176,000 (52)	231	510	IMGS-60	48	105
IMGA-6028-OB-2	60" (1524)	5	72" (1829)	206,000 (60)	276	610	IMGS-72	62	135
IMGA-7228-OB-2	72" (1829)	6	84" (2134)	236,000 (69)	331	730	IMGS-84	77	170

Note: Add "OB-4" to model number and 24" (610) to overall width for 4 Open Burner/Griddle Combination. Open burners are located on right side unless specified. For 1" (25) thick griddle plate add "-1" to model number.
Crated Dimensions: Height = 14" (356) Depth = 36" (914) Width: add 2 1/2" to Griddle width.

Standard Exterior Specifications

Front, ledge, grease trough, splash guard and sides shall be stainless steel with welded and finished stainless steel seams. Control knobs shall be durable cast metal with a polished chrome finish. Legs shall be 4" (102) stainless steel with adjustable feet.

Griddle Top Specifications

Griddle burner shall be 30,000 BTU/hr. (9 KW) "U" type located every 12" (305) for even cooking. Burner shall have one adjustable gas valve and standing pilot per burner. Aeration baffles shall be installed between burners and a full width rear flue shall be included to ensure a uniform griddle surface temperature. Griddle plate shall be 3/4" (19) thick, highly polished plate with no breaking-in required. Griddle plate shall be 24" (610) deep. Unit shall have a stainless steel 4" (102) high tapered splash guard. Grease trough shall be 3 1/2" (89) wide for easy cleaning. Removable grease can shall have a 1 gal. (3.8 L) capacity and a weep hole to indicate when can is full.

2 Open Burner Top Specifications

Open Burners shall be 28,000 BTU/hr. (8 KW) lift-off PyroCentric™ burner heads with no gaskets and no screws. There shall be one standing pilot for each burner. Top Grates shall be constructed in 12" x 12" (305 x 305) lift-off sections and be made of heavy-duty cast iron. Cast-in bowl shall direct heat upward. Top grate design shall include an integrated pilot shield.

Gas: Manifold pressure is 5.0" W.C. for natural gas or 10.0" for propane gas. Manifold size 3/4" NPT. 3/4" pressure regulator supplied with equipment to be installed at time of connection. Specify type of gas and elevation if over 2000 ft. (610 m).

Clearance: For use only on non-combustible floors. Legs or casters are required for non-combustible floors. Provide 0" clearance from non-combustible surfaces and 8" (203) from combustible surfaces.

Optional Items

■ 1" (25) thick griddle plate ■ Chrome griddle top ■ Griddle safety valve ■ Gas shut off valve 3/4" (19) ■ Quick disconnect and flexible gas hose ■ Stainless steel stands ■ 6" (152) casters for equipment stands ■ Integrated refrigerated base (see Sizzle 'n Chill specification sheet).

Combination Optional Items

■ Saute burner head ■ Wok burner head ■ 10" (254) stainless steel wok ring

AIA File #:

Imperial Commercial Cooking Equipment

1128 Sherborn Street ■ Corona, CA 92879 ■ 800.343.7790 ■ Ph: 951.281.1830 ■ Fx: 951.281.1879
 www.imperialrange.com ■ E-mail: imperialsales@imperialrange.com