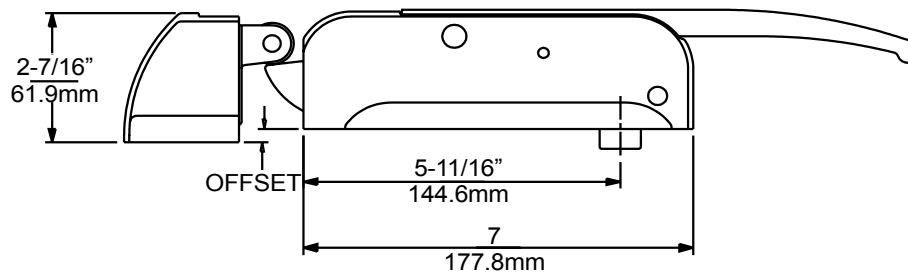
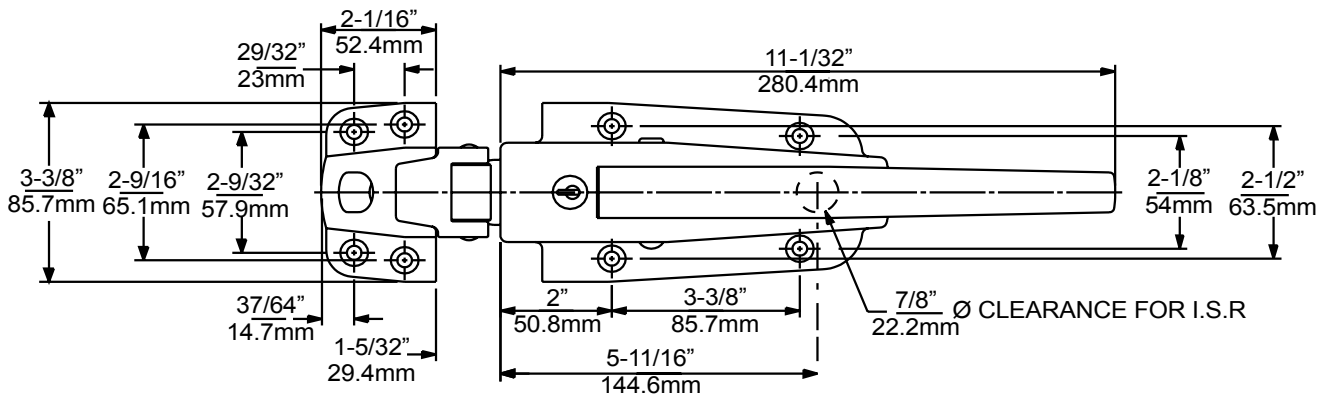


## 0056 SAFEGUARD® LATCH



ORDERING INFORMATION ON FOLLOWING PAGE

## 0056 SAFEGUARD® LATCH



Model No.	Item	Description	Finish
0056CH5020	Cylinder Locking Body	Heavy Spring	Polished Chrome
0056CH6021	Cylinder Locking Body	Heavy Spring	Brushed Chrome
0056CH0086	Cylinder Locking Body	Heavy Spring	Powder Coat
0056CL5020	Cylinder Locking Body	Light Spring	Polished Chrome
0056CL6021	Cylinder Locking Body	Light Spring	Brushed Chrome
0056CL0086	Cylinder Locking Body	Light Spring	Powder Coat
0056CLT208	Cylinder Locking Body	Light Spring	Stainless Steel
0056CX5020	Cylinder Locking Body	X-Light Spring	Polished Chrome
0056H05020	Padlocking Body	Heavy Spring	Polished Chrome
0056H06021	Padlocking Body	Heavy Spring	Brushed Chrome
0056LOT208	Padlocking Body	Light Spring	Stainless Steel
0056L05020	Padlocking Body	Light Spring	Polished Chrome
0056L06021	Padlocking Body	Light Spring	Brushed Chrome
0056L00086	Padlocking Body	Light Spring	Powder Coat
0056XL5020	Padlocking Body	X-Light Spring	Polished Chrome
0056XL6020	Padlocking Body	X-Light Spring	Brushed Chrome
0056XL0086	Padlocking Body	X-Light Spring	Powder Coat
0056005002	Strike	-1/8" to 1/4" (-3.2 to 6.4 mm)	Polished Chrome
0056005003	Strike	3/4" to 1-1/2" (19.0 to 38.1 mm)	Polished Chrome
0056005005	Strike	1-3/4" to 2-1/2" (44.5 to 63.5 mm)	Polished Chrome
0056005008	Strike	3" to 4" (76.2 to 101.6 mm)	Polished Chrome
0056006002	Strike	-1/8" to 1/4" (-3.2 to 6.4 mm)	Brushed Chrome
0056006003	Strike	3/4" to 1-1/2" (19.0 to 38.1 mm)	Brushed Chrome
0056006005	Strike	1-3/4" to 2-1/2" (44.5 to 63.5 mm)	Brushed Chrome
0056006008	Strike	3" to 4" (76.2 to 101.6 mm)	Brushed Chrome
005600T002	Strike	-1/8" to 1/4" (-3.2 to 6.4 mm)	Powder Coat
005600T003	Strike	3/4" to 1-1/2" (19.0 to 38.1 mm)	Powder Coat
005600T005	Strike	1-3/4" to 2-1/2" (44.5 to 63.5 mm)	Powder Coat
005600T008	Strike	3" to 4" (76.2 to 101.6 mm)	Powder Coat
0056CM0004	Cylinder Kit for 56C models.		

Cylinder locks may be keyed alike or differently; 5 key changes available. Please specify.