



ITEM #: \_\_\_\_\_ QTY: \_\_\_\_\_  
 MODEL #: \_\_\_\_\_  
 PROJECT NAME: \_\_\_\_\_

051018

3601 S. Banker St. Effingham, IL 62401 • P.O. BOX 609 • Ph: (888) 431-2667 • Fax: (800) 433-2667

**"KIB" KITCHEN ISLAND BAR**

**1-3/4" THICK TOP**

**FEATURES:**

- NORTHERN HARD ROCK MAPLE 1.75" THICK EDGE GRAIN TOP
- STANDARD WITH BOOS BLOCK CREAM FINISH WITH BEESWAX
- D14 - 15" UTENSIL DRAWER
- 8" DROP LEAF ON SIDE OPPOSITE UTENSIL DRAWER
- TWO CORNERS WITH 2" RADIUS
- SEE BASE COLOR SPEC SHEET FOR COLOR OPTIONS
- SHIPPED KNOCKED DOWN, EASY TO ASSEMBLE
- 4 CARTONS

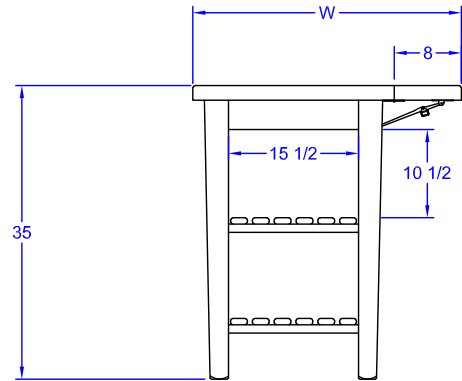
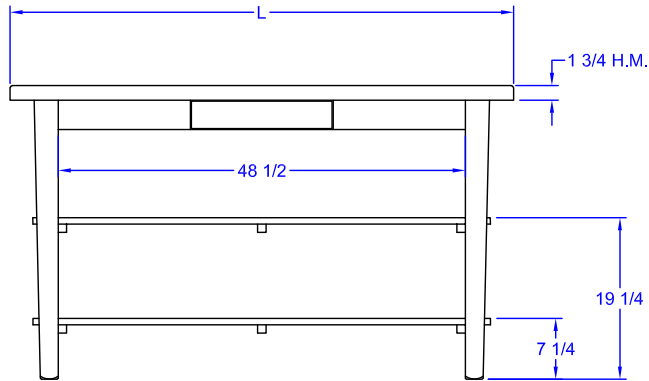
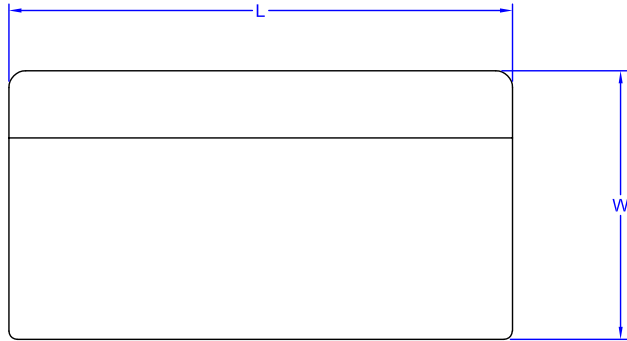


KIB01-0

**KITCHEN ISLAND BAR**

MODEL #	QTY
KIB01-0	
KIB02-0	
KIB03-0	
KIB04-0	

# DETAILED SPECIFICATIONS



## KITCHEN ISLAND BAR

MODEL #	SIZE	HEIGHT	WEIGHT (LBS)
KIB01-O	48" X 32" X 1-3/4"	35"	138
KIB02-O	60" X 32" X 1-3/4"	35"	174
KIB03-O	48" X 38" X 1-3/4"	35"	165
KIB04-O	60" X 38" X 1-3/4"	35"	207

SOME UNITS SHIP UNASSEMBLED FOR REDUCED SHIPPING COST. ALL DIMENSIONS ARE TYPICAL. TOLERANCE +/- .500"  
 John Boos & Co. is constantly engaged in a program of improving products and therefore reserves the right to change specifications without prior notice.

