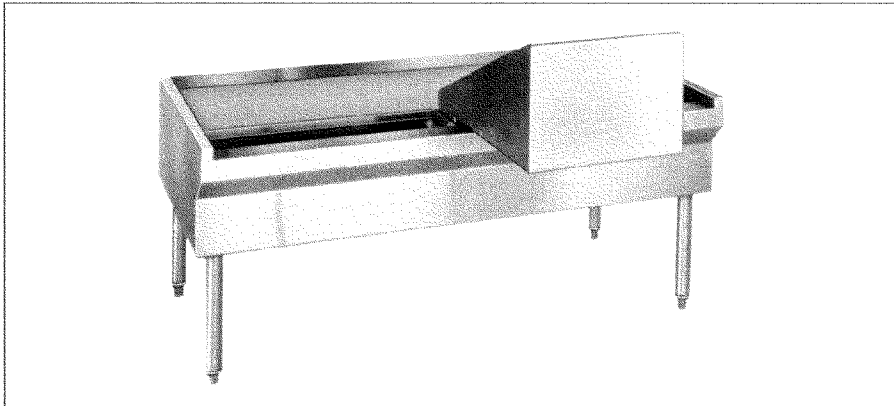


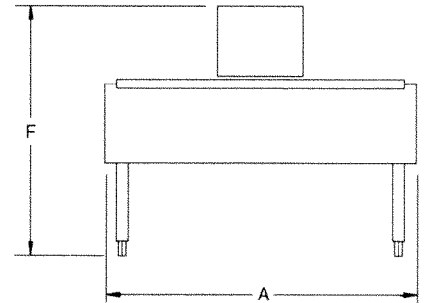


KETTLE STANDS

Model KTED – For Direct Steam or Electric Units

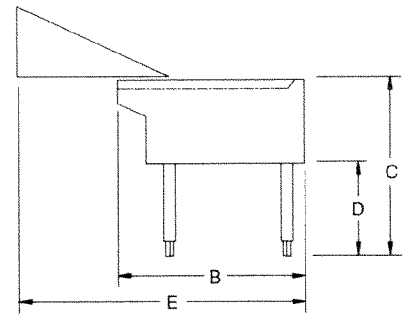


STANDARD FINISH: Stainless Steel

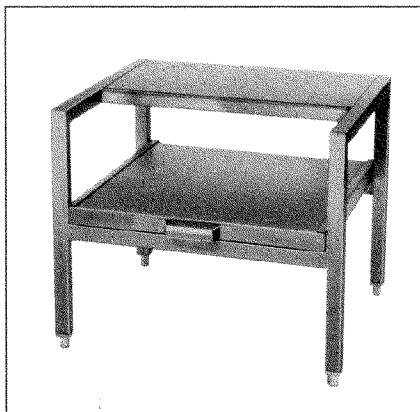


KETTLE TABLES

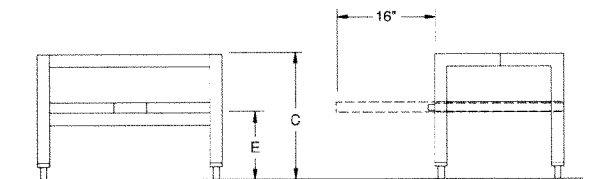
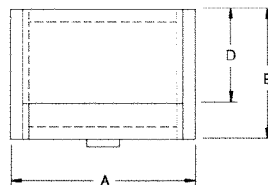
Model		A	B	C	D	E	F
KTED-26	inches	26	24	22	11-7/8	36-1/2	31
		660	610	559	302	927	787
KTED-40	mm	40	24	22	11-7/8	36-1/2	31
		1016	610	559	302	927	787
KTED-50	inches	50	24	22	11-7/8	36-1/2	31
		1270	610	559	302	927	787
KTED-64	mm	64	24	22	11-7/8	36-1/2	31
		1626	610	559	302	927	787
KTED-80-S	inches	80	24	22	11-7/8	36-1/2	31
		2032	610	559	302	927	787



Model KEDC – For Direct Steam or Electric Units



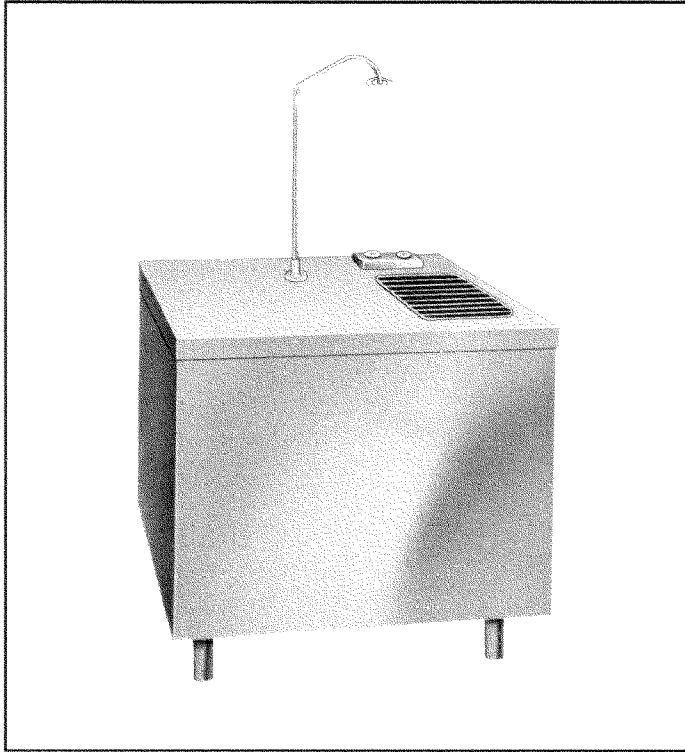
STANDARD FINISH: Stainless Steel



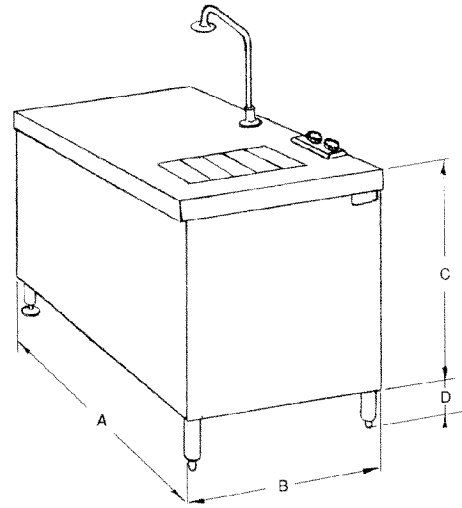
STANDS

Model		A	B	C	D	E
KEDC-24	inches	24	21	20-1/4	12.75	11
		610	533	533	324	279
KEDC-30	mm	30	21	20-1/4	12.75	11
		762	533	214	324	279

Model KDCT 30" For Direct Steam Kettles only



STANDARD FINISH: Stainless Steel



STAND

Model		A	B	C	D
KDCT-18		33	18	22	6
		838	457	559	152
KDCT-24	inches	33	24	22	6
	mm	838	610	559	152
KDCT-36		33	36	22	6
		838	914	559	152

MISCELLANEOUS INFORMATION:

Check local codes for installation and sanitary regulations.

INTENDED FOR COMMERCIAL USE ONLY. NOT FOR HOUSEHOLD USE.

Southbend, in line with its policy to continually improve its products, reserves the right to change materials or specifications without notice.



A MIDDLEBY COMPANY