



## **Ice Machine Parts List for Series Q270 Models**

**QR0270A**

**QD0273W**

**QR0271W**

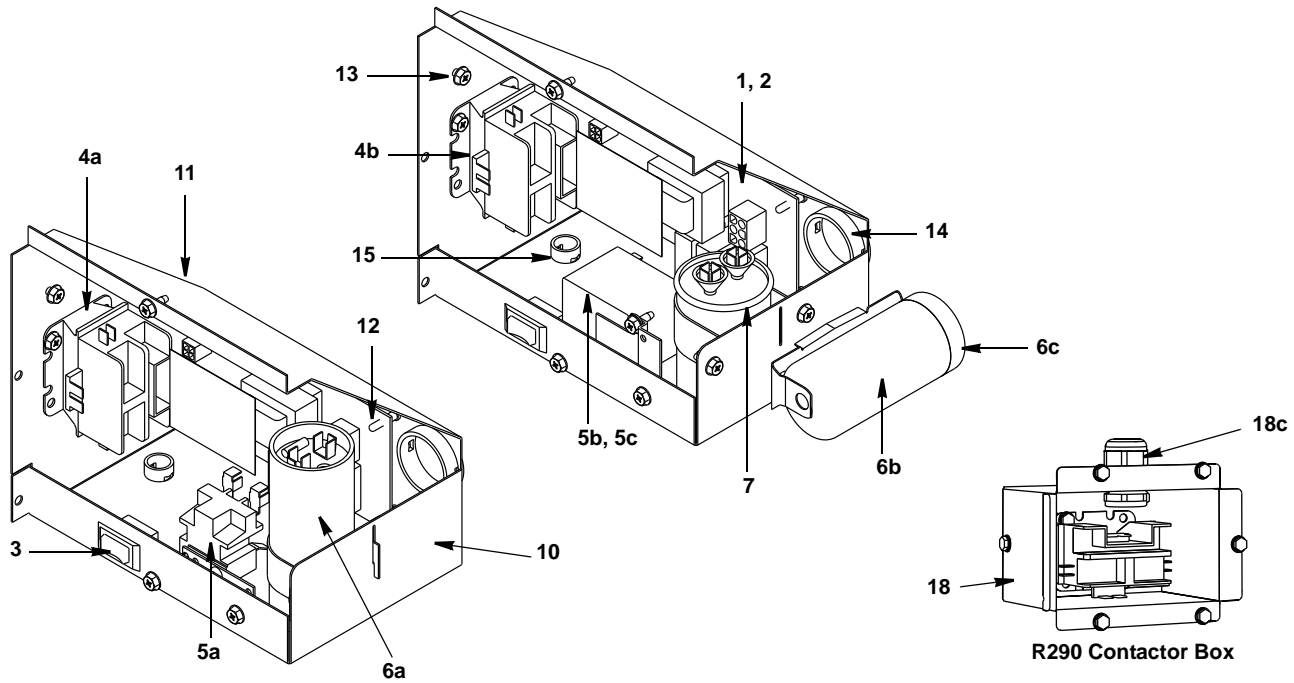
**QY0274A**

**QD0272A**

**QY0275W**

**QYP0274A**

## Q270 CONTROL BOX



### DESCRIPTION

	<b>PART NO.</b>
1 Control Board (for use with all voltages) . . . . .	† 7629073
2 10 Amp Fuse – Mounted on Control Board . . . . .	2511493
3 <b>Toggle Switch</b> Only . . . . .	2301513
a. Wiring Harness Only . . . . .	2032483
4 <b>Contactor</b>	
a. 115V/60 Hz/1 Ph. . . . .	† 2006569
b. 230V/50-60 Hz/1 Ph . . . . .	† 2006579
5 <b>Start Relay</b> . . . . .	(see page 4)
6 <b>Start Capacitor</b> . . . . .	(see page 4)
7 <b>Run Capacitor</b> . . . . .	(see page 4)
8 <b>Wiring Harness</b>	
a. Air-Cooled (Not shown) . . . . .	040000907
b. R290 Air-Cooled (Not shown) . . . . .	040002356
c. Water-Cooled (Not shown) . . . . .	040000906
d. Ice Thickness Control Probe (Wire Lead and Connectors Only) . . . . .	2007003
9 <b>Power Cord</b>	
a. 125V/60 Hz (Not shown) . . . . .	040001257
b. 230V/60 Hz (Not shown) . . . . .	2002163
c. 230V/50 Hz (Not shown) . . . . .	000000082

### Miscellaneous – Brackets, Screws, etc.

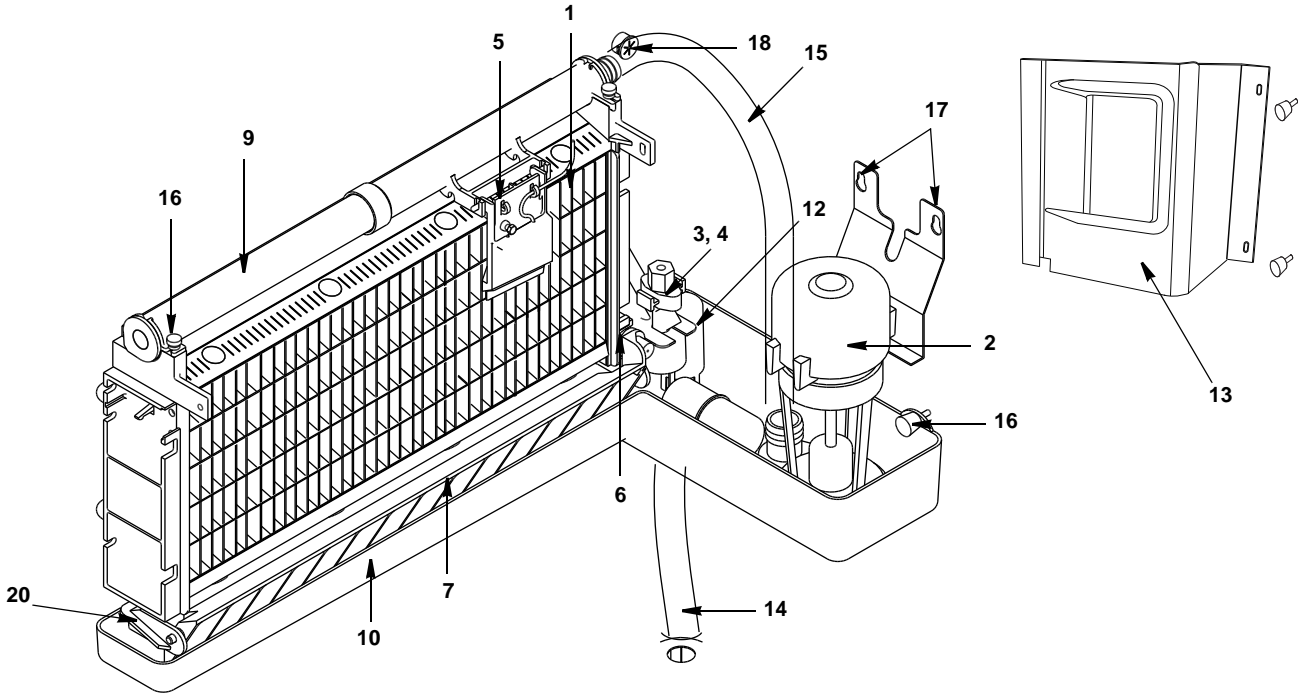
10 Control Box . . . . .	000001358
a. R290 230V/50 Hz/1ph . . . . .	040002358
11 Control Box Cover . . . . .	000001359
a. R290 230V/50 Hz/1ph . . . . .	040002357
12 Control Board Mounting Supports . . . . .	4302253
13 Screws, #10-24 x 0.25 Ground. . . . .	5202323
a. Lockwasher, #10. . . . .	5573203
14 Bushing SB1500-21/2240 . . . . .	† 2500139
15 Bushing SB625-8/2073 . . . . .	† 2502189

### R290 Components

16 Strain Relief - Cord Connector . . . . .	2502283
17 Access Valve . . . . .	040002245
a. Cap . . . . .	000009148
18 <b>R290 Contactor Box</b> . . . . .	000009209
a. Box Cover . . . . .	000009210
b. Mounting Bracket . . . . .	000009989
c. False Bottom . . . . .	000009211
d. Liquid Tight Cord Grip . . . . .	000009229
e. R290 230V/50 Hz/1ph Contactor Wiring Harness . . . . .	000009262

† Refer to Cross Reference Guide

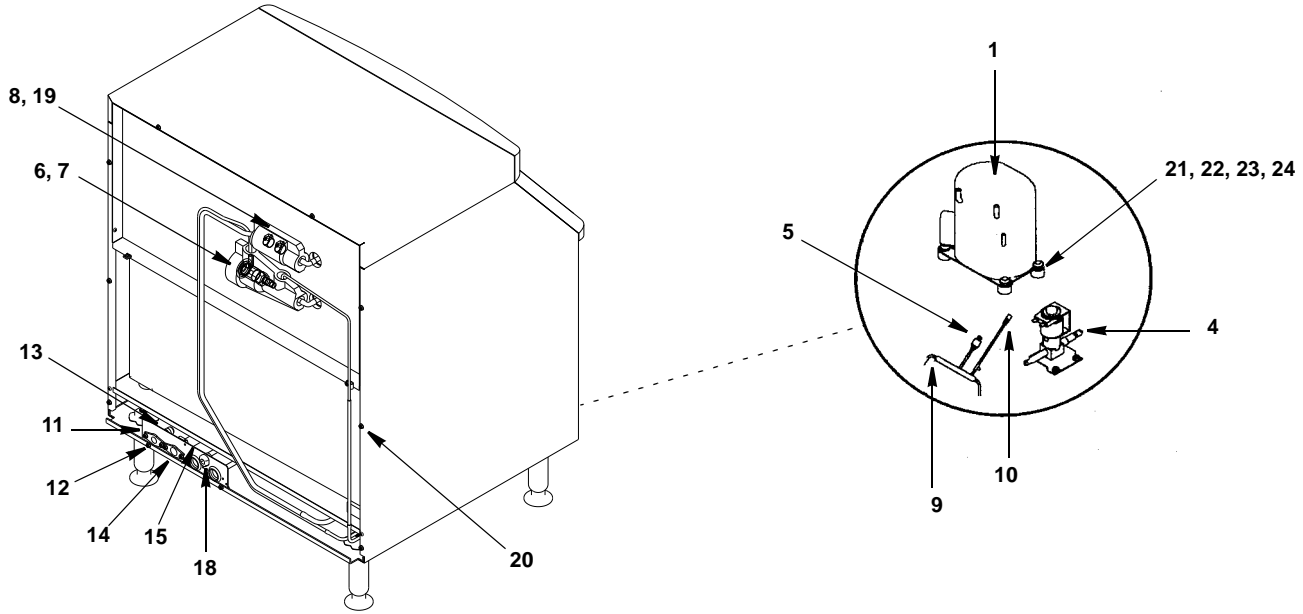
## Q270 EVAPORATOR COMPARTMENT



DESCRIPTION	PART NO.
<b>1 Evaporator Assembly</b>	
a. Regular Cube .....	† 7629549
b. Dice Cube .....	† 7629559
c. Half Dice Cube .....	† 7629569
<b>2 Water Pump</b>	
a. 115V/60 Hz .....	† 7623063
b. 208-230V/60 Hz or 230V/50 Hz - Up to Serial Number 310151004 .....	† 7626013
c. 208-230V/60 Hz or 230V/50 Hz - After to Serial Number 31051004 .....	040000945
d. Water Pump Mounting Plate .....	040001514
<b>3 Float Valve (Complete Assembly) - Up to Serial Number 031100000</b>	† 7602133
<b>4 Float Valve (Complete Assembly) - After Serial Number 031100000</b>	8369049
a. Float Valve Screen .....	† 8369069
b. Float Valve Plunger .....	† 8369089
c. Float Valve Compression Nut .....	† 5650729
d. Bracket .....	7621403
<b>5 Ice Thickness Control Probe</b>	† 7601603
<b>6 Magnetic Bin Switch (Mounted to Evaporator)</b>	† 7601613
<b>7 Water Flow Clamp (Not shown, used on Regular Cube Only)</b>	7620543
<b>8 Ice Damper</b>	† 7600483
a. Ice Damper Magnet and Cap .....	7629093
<b>9 Water Distribution Tube</b>	040001245
<b>10 Water Trough</b>	040001251
<b>11 Water Inlet Tubing (Not shown)</b>	4420291
<b>12 Siphon Cap</b>	4302223
<b>13 Water Pump Cover</b>	000006754
a. Thumbscrews .....	040001217
<b>Miscellaneous – Brackets, Screws, etc.</b>	
<b>14 Drain Tube</b>	040001219
<b>15 Tubing (Water Pump Out)</b>	040001234
<b>16 Thumbscrews, #8-32 x 0.63 Nylon</b>	040001217
<b>17 Screw, #10-24 x 0.50</b>	† 5202069
<b>18 Bushing (Ice Thickness Probe Wire)</b>	† 2500169
<b>19 Water Pump Lead (Not Shown)</b>	
a. 208-230V/60 Hz or 230V/50 Hz - Up to Serial Number 310151004 .....	2078063
b. 208-230V/60 Hz or 230V/50 Hz - After to Serial Number 31051004 .....	040000847
<b>20 Evaporator Frame Assembly (includes top, sides and bottom)</b>	040001766

† Refer to Cross Reference Guide

# Q270 REFRIGERATION COMPARTMENT – COMMON PARTS



## DESCRIPTION

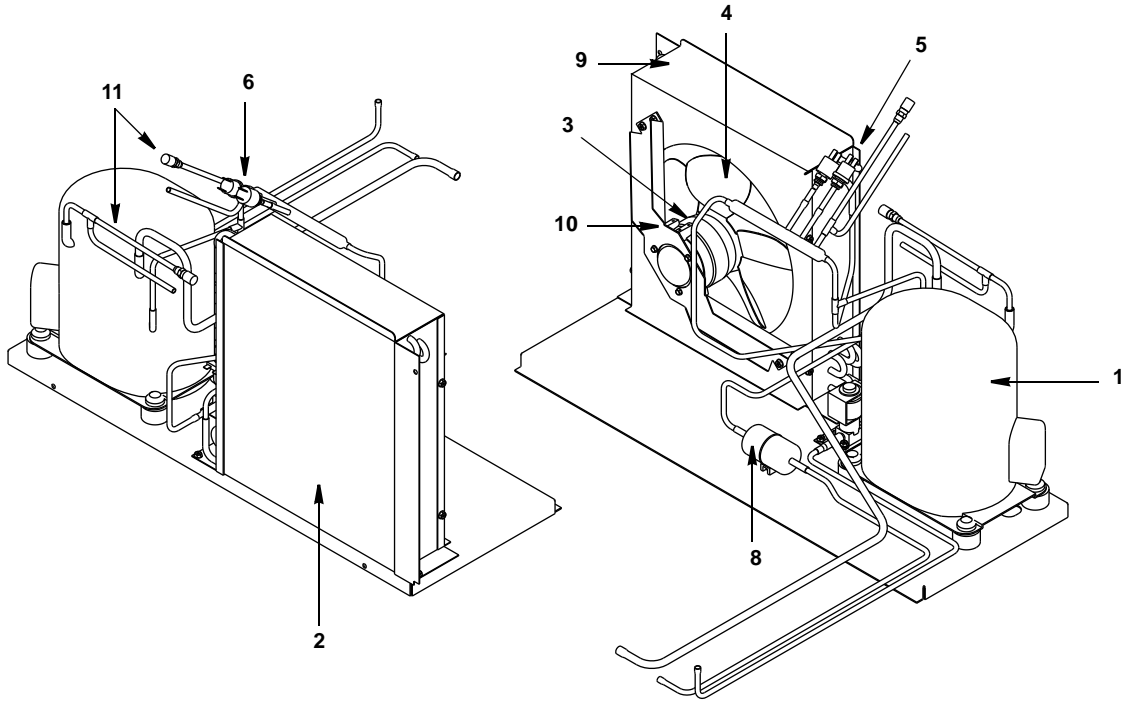
## PART NO.

**NOTE:** Replace a Tecumseh compressor/start components with a Tecumseh compressor/start components and a Danfoss compressor/start components with a Danfoss compressor/start components.  
**DO NOT INTERCHANGE COMPRESSORS OR START COMPONENTS.**

<b>1</b>	<b>Tecumseh Compressor</b>	
a.	115V/60 Hz/1 Ph. ....	† 7629363
	Starting Device .....	8503743
	Start Capacitor .....	8505773
	Overload for Compressor .....	8505733
b.	208/230V 60 Hz/1 Ph. ....	† 7629373
	Starting Device .....	8504553
	Start Capacitor .....	00000022
	Run Capacitor .....	8504003
	Overload for Compressor .....	8505743
c.	224/240V 50 Hz/1 Ph. ....	† 7629383
	Starting Device .....	8504483
	Start Capacitor .....	00000022
	Run Capacitor .....	8504003
	Overload for Compressor .....	8505753
<b>2</b>	<b>Danfoss Compressor SC10MLX - Up to 310009591</b>	
a.	115V/60 Hz/1 Ph. ....	7601343
	Starting Device (Danfoss) .....	8251033
	Start Capacitor (Danfoss) .....	8251023
b.	208/230V 60 Hz/1 Ph. ....	7601353
	Starting Device (Danfoss) .....	2002243
	Start Capacitor (Danfoss) .....	8504433
c.	224/240V 50 Hz/1 Ph. ....	7601353
	Starting Device (Danfoss) .....	2002243
	Start Capacitor (Danfoss) .....	8251093
<b>3</b>	<b>Danfoss Compressor SC12MLX - After to 310009591</b>	
a.	115V/60 Hz/1 Ph. ....	7601363
	Starting Device (Danfoss) .....	2002053
	Start Capacitor (Danfoss) .....	8505773
b.	208/230V 60 Hz/1 Ph. ....	7601373
	Starting Device (Danfoss) .....	2002103
	Start Capacitor (Danfoss) .....	00000022
c.	224/240V 50 Hz/1 Ph. ....	7601373
	Starting Device (Danfoss) .....	2002103
	Start Capacitor (Danfoss) .....	00000022
d.	R290 - 230V 50 Hz/1 Ph. ....	040002244
	Start Potential Relay (Danfoss) .....	000009950
	Run Capacitor (Danfoss) .....	2009493
	Run Capacitor Bracket .....	040002359
	Compressor Plug .....	000009064
	Terminal Cover .....	000009259
<b>4</b>	<b>Hot Gas Valve</b>	
a.	<b>Danfoss</b>	
	Hot Gas Valve Including 115V 60 Hz Electrical Coil. ....	† 7630011
	Hot Gas Valve 115V Coil Only .....	000005156
	Hot Gas Valve Including 208/230V 50/60 Hz Electrical Coil. ....	† 7630071
	Hot Gas Valve 208/230V 50/60 Hz Coil Only .....	000005157
	Bracket .....	00000805
a.	<b>Alco</b>	
	Hot Gas Valve 115V Coil Only Alco .....	2404363
	Hot Gas Valve 208/230V 50/60 Hz Coil Only Alco. ....	† 2404483
b.	<b>Sanhua</b>	
	Hot Gas Valve Including 115V 60 Hz Electrical Coil. ....	040001075
	Hot Gas Valve 115V Coil Only .....	040000101
	Hot Gas Valve Including 208/230V 50/60 Hz Electrical Coil. ....	040001071
	Hot Gas Valve 208/230V 50/60 Hz Coil Only .....	040000103
	Bracket .....	040000672

5	High Pressure Cut-out .....	† 2001243
	a. R290 230V/50 Hz/1ph .....	000008876
6	Expansion Valve .....	† 7602893
	a. R290 230V/50 Hz/1ph .....	000009954
7	Expansion Valve Body Insulation Boot	
	a. Alco .....	4007213
	b. Danfoss .....	4000363
8	Expansion Valve Bulb Insulation Boot .....	4007203
9	Manifold Strainer (in front of hot gas valve) .....	8251063
	a. R290 230V/50 Hz/1ph .....	040002227
10	Access Valve .....	8373253
<b>Miscellaneous – Brackets, Screws, etc.</b>		
11	Bracket (Water/Electrical Inlet) .....	6034601
12	Water Inlet Female Wing Adapter .....	† 8706093
13	Male Connector 1/4" OD x 1/8" NTPF .....	1360961
14	Bin Drain Female Wing Adapter .....	8706133
15	Bin Drain Tubing (Molded) .....	4421463
16	Bin Drain Hose Clamp (Not shown) .....	† 5650649
17	Water Inlet Tubing 0.375 ID .....	4420291
18	Strain Relief (Electrical Cord) .....	2502283
19	Clamp, Expansion Valve Bulb .....	† 5650529
20	Screw, #10-24 x 0.50 .....	† 5202069
21	Compressor Mounting Rubber Grommet .....	8503069
22	Compressor Mounting Washer .....	† 5573099
23	Compressor Hex Head Cap Screw .....	† 5037709
24	Compressor Mounting Sleeve 3/8" ID x 1.031 .....	† 8503949

## Q270 REFRIGERATION COMPARTMENT – AIR-COOLED



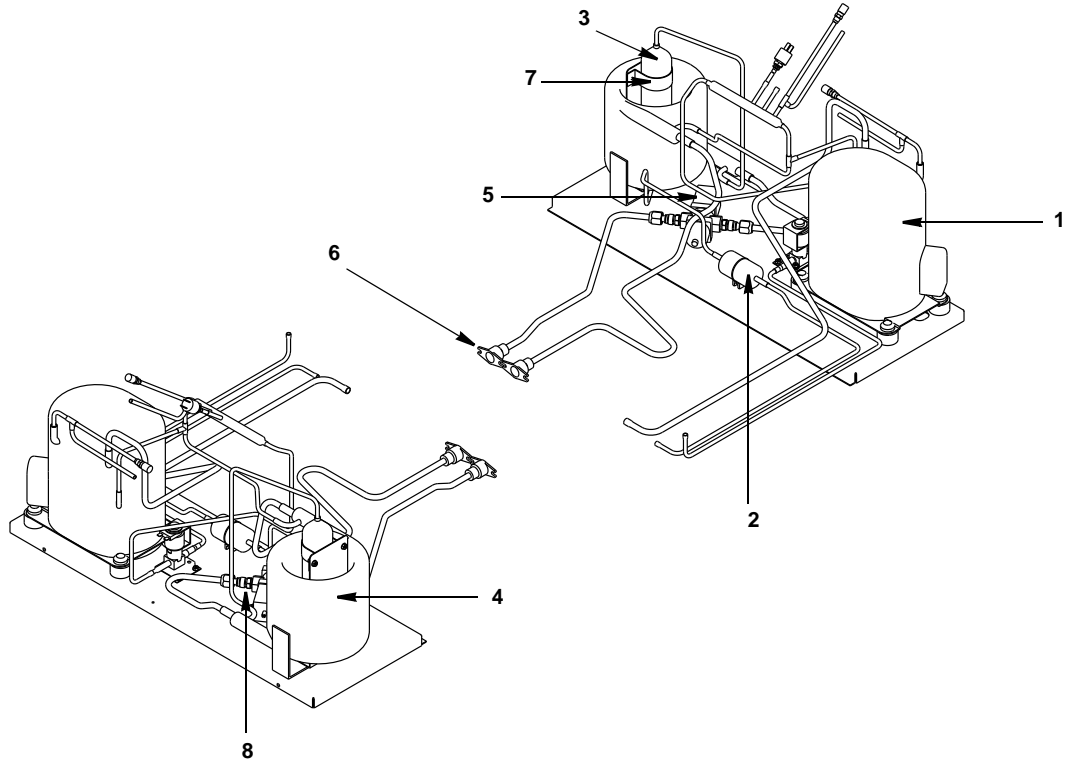
pt1291

### DESCRIPTION

		<b>PART NO.</b>
1	Compressor (Refer to COMMON PARTS Page) . . . . .	Page 4
2	Air Condenser . . . . .	8851383
	a. R290 230V/50 Hz/1ph . . . . .	00008871
	b. R290 230V/50 Hz/1ph Air Condenser Mounting Plates (2) . . . . .	00009060
3	<b>Fan Motor</b> . . . . .	
	a. 115V . . . . .	040001540
	b. 208-230V/60 Hz or 230V/50 Hz . . . . .	040001541
4	Fan Blade . . . . .	2416223
5	Fan Cycling Control . . . . .	2001263
	a. R290 230V/50 Hz/1ph . . . . .	00008877
6	High Pressure Cut-out (Refer to COMMON PARTS Page) . . . . .	Page 4
7	Air Filter (Not shown) . . . . .	7629523
	a. R290 230V/50 Hz/1ph . . . . .	4040293
8	Drier . . . . .	† 8930259
<b>Miscellaneous – Brackets, Screws, etc.</b>		
9	Fan Shroud . . . . .	6034591
	a. R290 230V/50 Hz/1ph . . . . .	00009930
10	Fan Motor Mounting Bracket . . . . .	6027431
11	Access Valve . . . . .	8373253

† Refer to Cross Reference Guide

# Q270 REFRIGERATION COMPARTMENT – WATER-COOLED



pt1292

## DESCRIPTION

1	Compressor (Refer to COMMON PARTS Page)	.....
2	Drier	.....
3	Receiver	.....
4	Water-cooled Condenser	.....
5	Water Regulating Valve	.....
6	Water Drain Female Wing Adapter	.....

## PART NO.

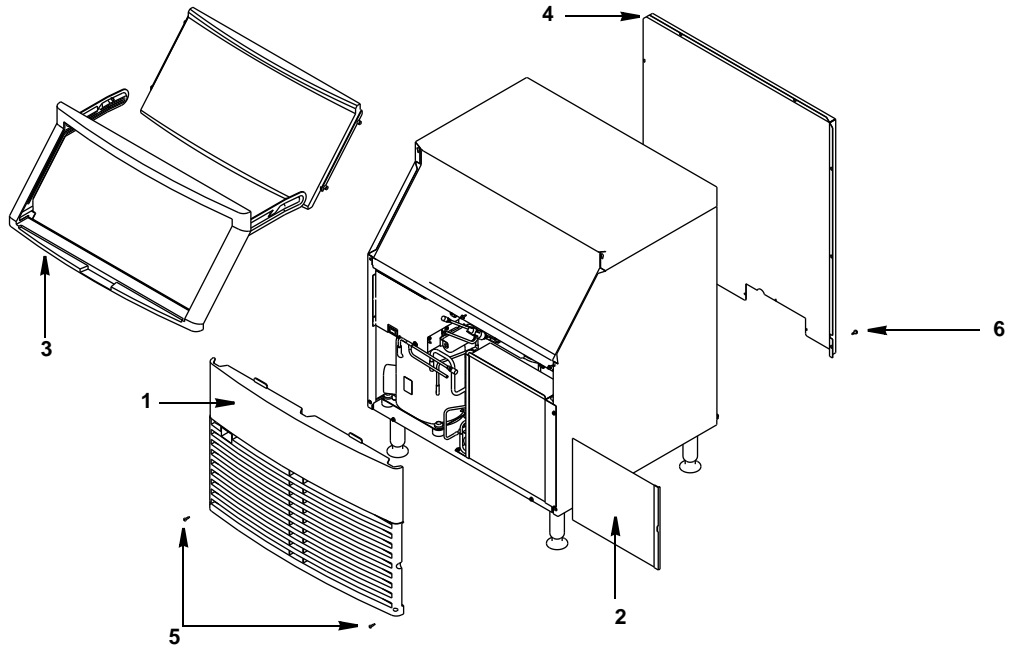
Page 4
† 8930259
00008892
† 8865313
8372103
8706103

## Miscellaneous – Brackets, Screws, etc.

7	Receiver Strap	.....
8	Water Coupling	.....

6001891
8332023

## Q270 PANELS



### DESCRIPTION

	<b>DESCRIPTION</b>	<b>PART NO.</b>
1	Front Panel Assembly .....	7629513
2	Air Filter .....	7629523
	a. R290 230V/50 Hz/1ph .....	4040293
3	Door Frame and Door Assembly .....	040001717
	a. Door Pin Sleeve .....	00006837
4	Back Panel, Upper .....	6034671

### Miscellaneous – Brackets, Screws, etc.

5	Front Cover Screw .....	† 5202239
6	Screw, #10-24 x .50 .....	† 5202069
7	Ice Scoop (Not shown) .....	† 3302603