

OptiPure

Model: **QT1+CR**
Part #: 160-52080

Snapshot

The QT1+CR is a dual-cartridge water treatment system with two Qwik-Twist cartridges, which reduce sediment over 0.5-microns, and reduce chlorine up to 20,000-gallons at a flow rate of 2.5 gpm and chloramine up to 6,000-gallons at 0.5 gpm.

ITEM #: _____ QTY: _____
JOB NAME/NUMBER: _____



System Benefits

- Reduces maintenance frequency and cost, and extends equipment life.
- Gradient-density depth filtration reduces dirt, rust, and other debris as small as 0.5-microns to assure clean, clear water for steam generation.
- CTO-QCR - catalytic carbon provides added protection against chloramines when present in water supplies.
- CTO-Q10 - activated carbon filtration protects equipment against corrosive chlorine.
- Sturdy, powder-coated mounting bracket and full-flow inlet shut-off valve simplify installation.
- Built-in pressure gauge allows visual monitoring of when filters need to be changed.
- Inlet shut-off valve makes filter replacement quick and simple.
- Utilizes Qwik-Twist cartridges that make changing filters quick, easy and sanitary.

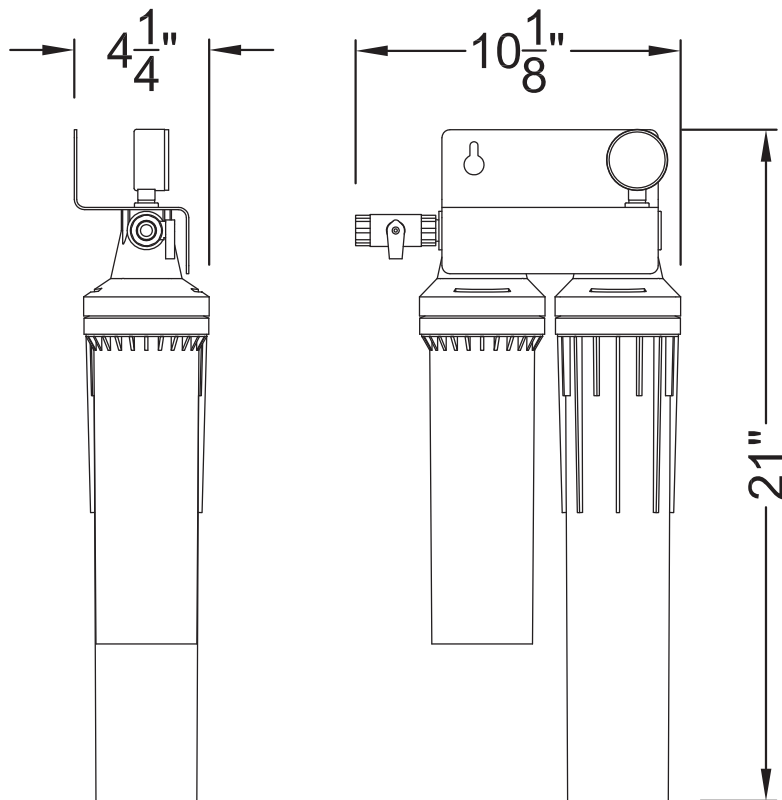
Application

STEAM & COMBI OVENS - For the reduction of chloramines, chlorine and sediment.

Installation Tips

- Feed-water connection to system should be COLD only.
- Do not exceed system specifications for temperature and pressure.
- Allow 3" clearance below system for filter cartridge removal and cartridge replacement.
- To be used for treated water connection only.
- Detailed installation, operation and maintenance manual included with each system.
- No activation procedure or flushing required for system to perform as specified.

OptiPure



WARNING:
Cancer and Reproductive Harm -
www.P65Warnings.ca.gov.

► Warranty

All system components and assembly except for filter cartridges, separation membranes, permeate pumps, electric motors, diaphragm pumps, and rotary vane pumps shall be warranted against defects in workmanship for a period of 60 months from the date of original shipment. For complete warranty information, contact OptiPure customer service or go to www.optipurewater.com.

Dealer/Distributor Info:

Model: **QT1+CR**
Part #: 160-52080

► Specifications

System	
Dimensions (Height x Width x Depth, Inches)	21h x 10.1"w x 4.3"d
Connection - Inlet & Outlet	3/8" FNPT
Operating Pressure Range	10 - 125 psi (0.7 - 8.6 bar)
Inlet Water Temperature Range	35° - 100°F (2° - 38°C)
Shipping Weight	12 lbs.
Performance	
Chlorine Reduction Capacity	20,000 gals. (75,708 L)
Chloramine Reduction Capacity	6,000 gals. (22,712 L)
Service Flow Rate	2.5 gpm (9.5 lpm)
Sediment Reduction	0.5 microns (nominal)

► Replacement Media

Model	Description	Part Number	Qty
CTO-Q10	Pre/Post-Filter	300-05828	1
CTO-QCR	Chloramine Filter	300-05831	1

► Options

Model	Description	Part Number
Flush Valve Kit	QT Flush Valve Kit	160-52912

It is recommended that pre/post-filters and mineral addition cartridges are changed every 6 months, when capacity is reached or when feedwater pressure or flow becomes inadequate.

Membrane life varies depending on feedwater conditions and pre-filter maintenance. It is 12-18 months under typical conditions, but it can be as long as 3-5 years.

This product is for commercial use only and must be installed and maintained according to manufacturer's guidelines.

Do not use on water that is microbiologically unsafe or of unknown quality without adequate disinfection before or after the system.

OptiPure, A Division of Aquion, Inc.
101 S. Gary Ave., Suite A
Roselle, IL 60172
p: 972.881.9797 e: info@optipure.net
www.optipurewater.com