

ITEM #: \_\_\_\_\_ QTY: \_\_\_\_\_  
 MODEL #: \_\_\_\_\_  
 PROJECT NAME: \_\_\_\_\_

051018

3601 S. Banker St. Effingham, IL 62401 • P.O. BOX 609 • Ph: (888) 431-2667 • Fax: (800) 433-2667

## **"PCA" BLOCK** **10" THICK BLOCK**

### **FEATURES:**

- NORTHERN HARD ROCK MAPLE 10" THICK END GRAIN TOP
- STANDARD WITH BOOS BLOCK CREAM FINISH WITH BEESWAX
- L-4 LEGS (PENCIL) STANDARD
- TKS WOOD KNIFE HOLDER STANDARD
- PCA1, PCA2, PCA3: 1 CARTON
- PCA4, PCA5: 2 CARTONS
- SEE BASE COLOR SPEC SHEET FOR COLOR OPTIONS
- SHIPPED KNOCKED DOWN
- PCA1 AND PCA2 UPSABLE
- OPTIONS: 4 - 2-1/2" COMMERCIAL GRADE LOCKING CASTERS: CAS03

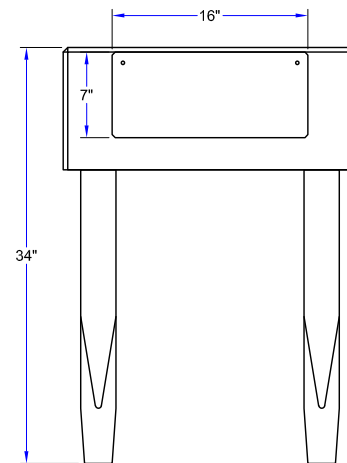
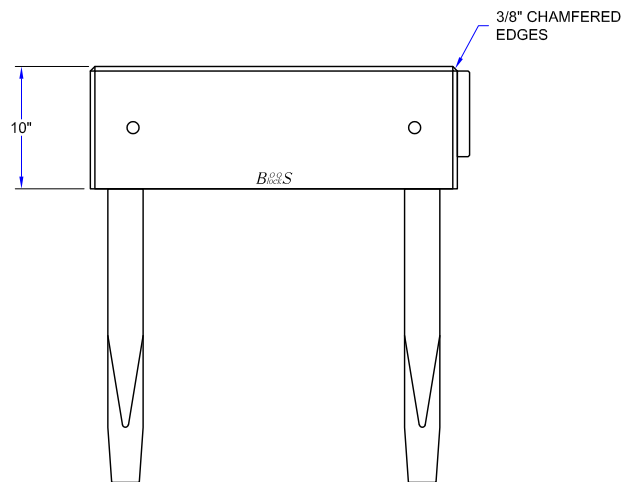
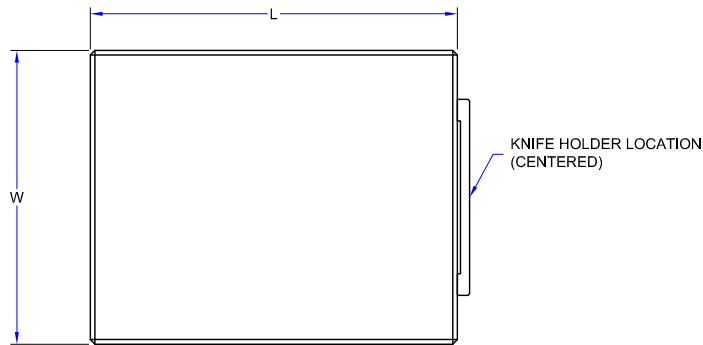


PCA3

### **"PCA" BLOCK**

| MODEL # | QTY |
|---------|-----|
| PCA1    |     |
| PCA2    |     |
| PCA3    |     |
| PCA4    |     |
| PCA5    |     |

# DETAILED SPECIFICATIONS



## "PCA" BLOCK

| MODEL # | SIZE            | HEIGHT | WEIGHT (LBS) |
|---------|-----------------|--------|--------------|
| PCA1    | 18" X 18" X 10" | 34"    | 115          |
| PCA2    | 24" X 18" X 10" | 34"    | 142          |
| PCA3    | 24" X 24" X 10" | 34"    | 185          |
| PCA4    | 30" X 24" X 10" | 34"    | 225          |
| PCA5    | 30" X 30" X 10" | 34"    | 266          |

SOME UNITS SHIP UNASSEMBLED FOR REDUCED SHIPPING COST. ALL DIMENSIONS ARE TYPICAL. TOLERANCE +/- .500"  
 John Boos & Co. is constantly engaged in a program of improving products and therefore reserves the right to change specifications without prior notice.



Boos  
locks

AQ AutoQuotes

3601 S. Banker St. • Effingham, IL 62401 • PO BOX 609 • quotes@johnboos.com

www.johnboos.com

041218

13