



Product Application

Ozark River Portable Sinks are designed to assist individuals and businesses comply with hand washing codes and regulations by placing hand washing at the point of contact.

The Premier Series is one of the more versatile models in regards to available styles and its cabinet size. This model is appropriate for these compliance application types:

- Food and Beverage Serving or Demonstration
- Waitress Stations
- Hospitality
- Catering Events
- Cafeterias
- Mobile Trailers
- Classrooms and Schools
- Medical Exam Rooms
- Lab and Testing Facilities
- Trade Shows, etc.

Standard Features

- Self-Contained Portable Sink
- On-Demand Hot Water System
- Patented Design
- Multiple Top and Basin Options
- Phthalate FREE Melamine Laminate Cabinet and Top
- Cabinet Colors: Maple or Cherry
- 5 Gal. Fresh and 6 Gal. Gray (Water Tanks)
- Liquid Soap Dispenser
- Swivel Casters, Front Locking
- Locking Cabinet
- Long Faucet Handles (ADA Compliant)
- GFCI Outlet Protection
- Exclusive Quick-Connect Tank System



Quick Connect Tank System



Soap Dispenser



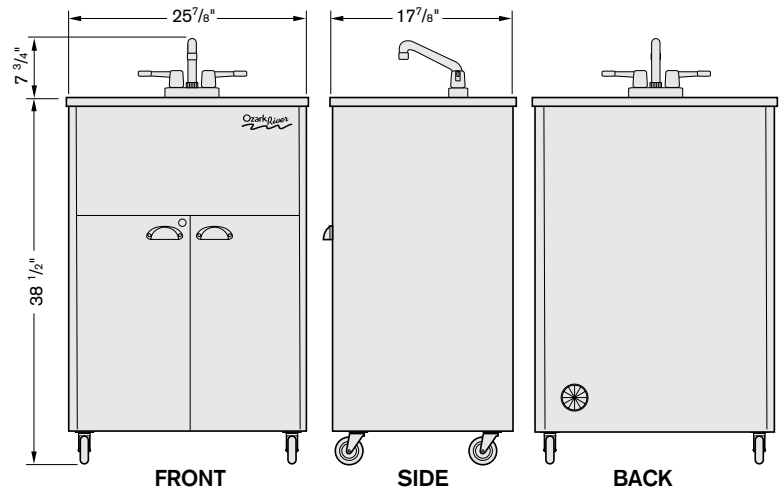
Easy Fill Water Tanks
1- 5 Gallon Fresh
1- 6 Gallon Waste

Standard Operating Requirements

- Each sink must have grounded, dedicated 110V, 20A circuit breaker
- Dry, inside level surface
- If extension cord is used, cord must be 12/3, rated at 20A or higher
- Water must meet EPA Standards with PH between 7.0 and 9.0.



ADSTM-AB-AB1
ADSTC-AB-AB1



Cabinet Colors Available:



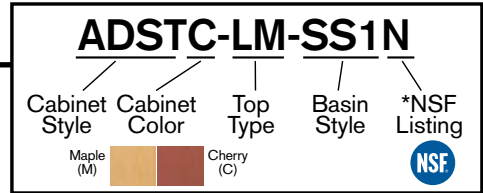
Maple (M) Cherry (C)

AUTOQUOTES



Quick Guide

How Our Model Numbers Work



* If *N* is not included in the Model Number, the product is not NSF Certified.

Premier Series

Standard Height Hot Water Portable Hand Washing Stations

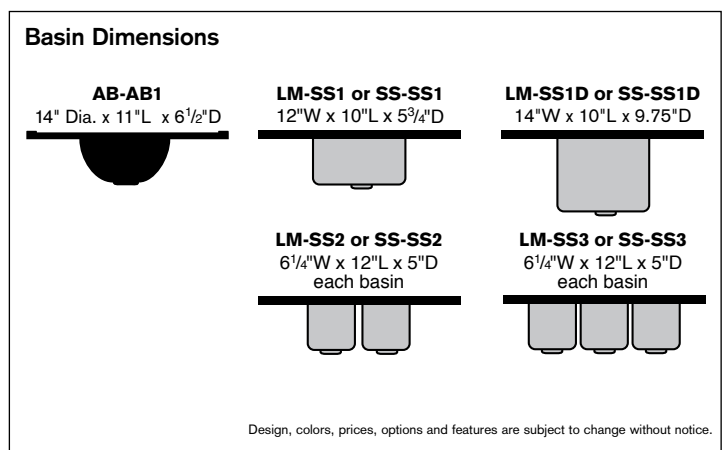
Model Number	ADSTM-AB-AB1 / ADSTC-AB-AB1
Model Name	Premier
Number of Basins	Single
Basin Material	ABS
Basin Dimensions	14" Dia. x 11" L x 6.5" D
Top Material	Integrated ABS
Cabinet Dimensions	25.625" W x 17.625" D x 38.50 H
Cabinet Material	Phthalate and Lead Free Melamine
Cabinet Colors:	Maple or Cherry
Product Weight	88 lbs.
NSF Certified	No
GPM	0.50
Fresh Water Tank	5 Gallon
Waste Water Tank	6 Gallon
Approx Hand Washings	40 qty. 15 second hand washings
Electrical Requirements	110V, 20 AMP Dedicated Outlet and Breaker
Warranty	2 Years

Model Number	ADSTM-LM-SS1N / ADSTC-LM-SS1N
Model Name	Premier 1
Number of Basins	Single
Basin Material	Stainless Steel
Basin Dimensions	12" W x 10" L x 5.75" D
Top Material	Phthalate and Lead Free Melamine
Cabinet Dimensions	25.625" W x 17.625" D x 38.50 H
Cabinet Material	Phthalate and Lead Free Melamine
Cabinet Colors:	Maple or Cherry
Product Weight	88 lbs.
NSF Certified	Yes
GPM	0.50
Fresh Water Tank	5 Gallon
Waste Water Tank	6 Gallon
Approx Hand Washings	40 qty. 15 second hand washings
Electrical Requirements	110V, 20 AMP Dedicated Outlet and Breaker
Warranty	2 Years

Model Number	ADSTM-LM-SS1DN / ADSTC-LM-SS1DN
Model Name	Premier 1D
Number of Basins	Single Deep
Basin Material	Stainless Steel
Basin Dimensions	14" Dia. x 10" L x 9.75" D
Top Material	Phthalate and Lead Free Melamine
Cabinet Dimensions	25.625" W x 17.625" D x 38.50 H
Cabinet Material	Phthalate and Lead Free Melamine
Cabinet Colors:	Maple or Cherry
Product Weight	88 lbs.
NSF Certified	Yes
GPM	0.50
Fresh Water Tank	5 Gallon
Waste Water Tank	6 Gallon
Approx Hand Washings	40 qty. 15 second hand washings
Electrical Requirements	110V, 20 AMP Dedicated Outlet and Breaker
Warranty	2 Years

Model Number	ADAVM-SS-SS2N / ADAVC-SS-SS2N
Model Name	Silver Advantage 2
Number of Basins	Double
Basin Material	Stainless Steel
Basin Dimensions	6.125" W x 12.15" L x 5" D (each basin)
Top Material	Stainless Steel
Cabinet Dimensions	48" W x 24" D x 36 H
Cabinet Material	Phthalate and Lead Free Melamine
Cabinet Colors	Maple or Cherry
Product Weight	190 lbs.
NSF Certified	Yes
GPM	0.50
Fresh Water Tank	5 Gallon
Waste Water Tank	6 Gallon
Approx Hand Washings	40 qty. 15 second hand washings
Electrical Requirements	110V, 20 AMP Dedicated Outlet and Breaker
Warranty	2 Years

Model Number	ADSTM-LM-SS3N / ADSTC-LM-SS3N
Model Name	Premier 3
Number of Basins	Triple
Basin Material	Stainless Steel
Basin Dimensions	6.125" W x 12.15" L x 5" D (each basin)
Top Material	Phthalate and Lead Free Melamine
Cabinet Dimensions	25.625" W x 17.625" D x 38.50 H
Cabinet Material	Phthalate and Lead Free Melamine
Cabinet Colors:	Maple and Cherry
Product Weight	88 lbs.
NSF Certified	Yes
GPM	0.50
Fresh Water Tank	5 Gallon
Waste Water Tank	6 Gallon
Approx Hand Washings	40 qty. 15 second hand washings
Electrical Requirements	110V, 20 AMP Dedicated Outlet and Breaker
Warranty	2 Years



Design, colors, prices, options and features are subject to change without notice.