

ITEM #: _____ QTY: _____
 MODEL #: _____
 PROJECT NAME: _____

050318

3601 S. Banker St. Effingham, IL 62401 • P.O. BOX 609 • Ph: (888) 431-2667 • Fax: (800) 433-2667

"RN-C" LE CLASSIQUE

FEATURES:

- CHERRY EDGE GRAIN TOP, STANDARD VARNIQUE FINISH
- BLACK PAINTED BASE WITH CHOICE OF 0, 1, OR 2 BLACK SLATTED SHELVES
- USE SUFFIX -S FOR ONE BLACK SLATTED SHELF
- USE SUFFIX -2S FOR TWO BLACK SLATTED SHELVES
- UPSABLE: RN-C3624, RN-C4824, RN-C4830
- OPTIONS: (1) 15" BLACK UTENSIL DRAWER: RN-D14, (2) 15" BLACK UTENSIL DRAWER FOR 60" LENGTH ONLY: RN-D14



RN-C4830

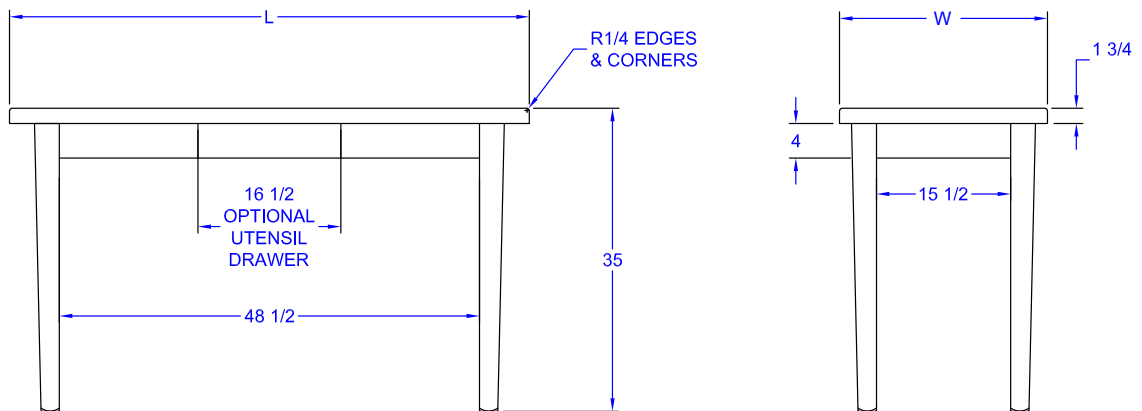
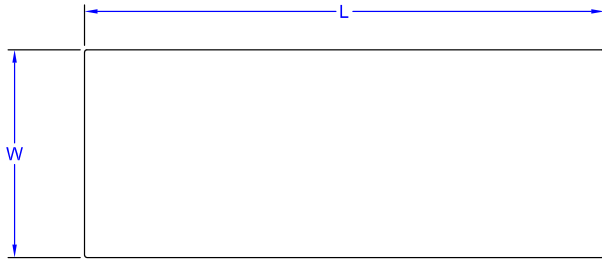


CAS-RN

LE CLASSIQUE

NO SHELF	QTY	1 SHELF	QTY	2 SHELVES	QTY
RN-C3624		RN-C3624-S		RN-C3624-2S	
RN-C4824		RN-C4824-S		RN-C4824-2S	
RN-C6024		RN-C6024-S		RN-C6024-2S	
RN-C4830		RN-C4830-S		RN-C4830-2S	
RN-C6030		RN-C6030-S		RN-C6030-2S	
RN-C4836		RN-C4836-S		RN-C4836-2S	
RN-C6036		RN-C6036-S		RN-C6036-2S	

DETAILED SPECIFICATIONS



LE CLASSIQUE

NO SHELF	WT. (LBS)	1 SHELF	WT. (LBS)	2 SHELVES	WT. (LBS)	SIZE	HEIGHT
RN-C3624	55	RN-C3624-S	75	RN-C3624-2S	95	36" X 24" X 1-3/4"	35"
RN-C4824	67	RN-C4824-S	92	RN-C4824-2S	117	48" X 24" X 1-3/4"	35"
RN-C6024	78	RN-C6024-S	108	RN-C6024-2S	134	60" X 24" X 1-3/4"	35"
RN-C4830	76	RN-C4830-S	107	RN-C4830-2S	138	48" X 30" X 1-3/4"	35"
RN-C6030	90	RN-C6030-S	127	RN-C6030-2S	154	60" X 30" X 1-3/4"	35"
RN-C4836	93	RN-C4836-S	125	RN-C4836-2S	157	48" X 36" X 1-3/4"	35"
RN-C6036	108	RN-C6036-S	148	RN-C6036-2S	190	60" X 36" X 1-3/4"	35"

SOME UNITS SHIP UNASSEMBLED FOR REDUCED SHIPPING COST. ALL DIMENSIONS ARE TYPICAL. TOLERANCE +/- .500"
 John Boos & Co. is constantly engaged in a program of improving products and therefore reserves the right to change specifications without prior notice.



3601 S. Banker St. • Effingham, IL 62401 • PO BOX 609 • quotes@johnboos.com

www.johnboos.com