



ITEM #: _____ QTY: _____
 MODEL #: _____
 PROJECT NAME: _____

021318

3601 S. Banker St. Effingham, IL 62401 • P.O. BOX 609 • Ph: (888) 431-2667 • Fax: (800) 433-2667

"RN-PPB" PRO PREP BLOC

FEATURES:

- CHERRY END GRAIN TOP, STANDARD BOOS BLOCK CREAM FINISH WITH BEESWAX - ON CUTTING SURFACE ONLY
- BLACK CAVIAR PAINTED BASE
- CHERRY SLATTED SHELF
- FLAT COPPER TIE BARS WITH 6 COPPER POT HOOKS
- OPTIONS: 15" BLACK UTENSIL DRAWER (NOT AVAILABLE ON 24X24 BLOCK): RN-D14, 3" BLACK LOCKING CASTER: CAS-RN, CHERRY POT RACK: RN-POTR30, RN-POTR36



RN-POTR30



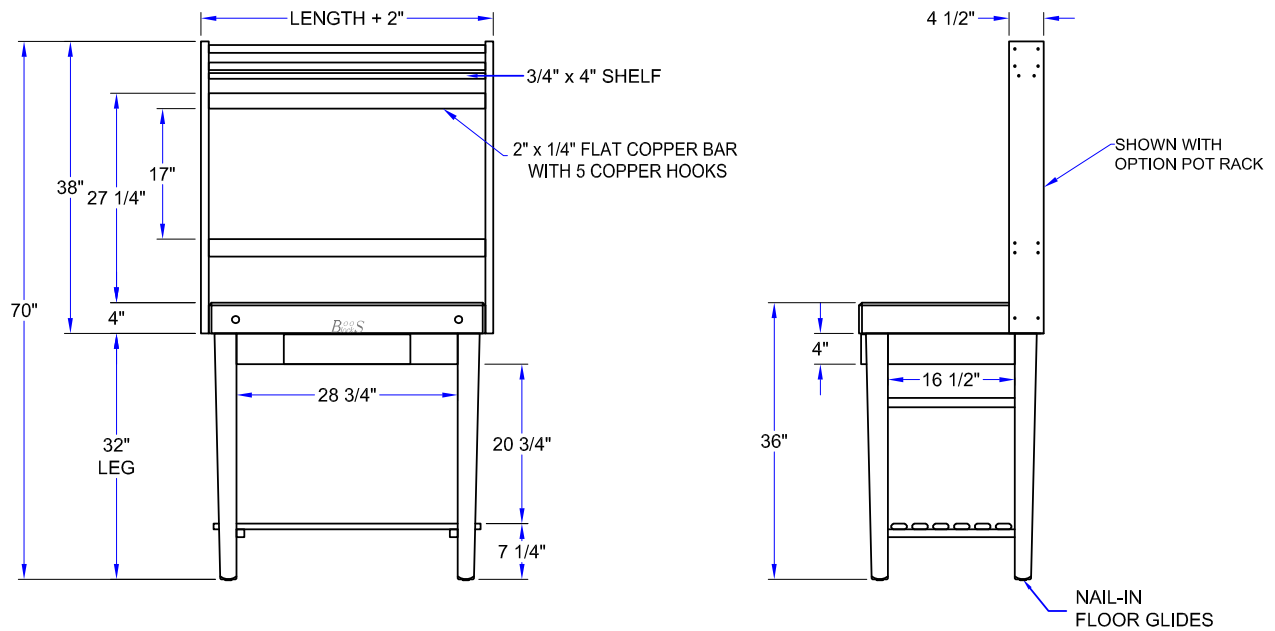
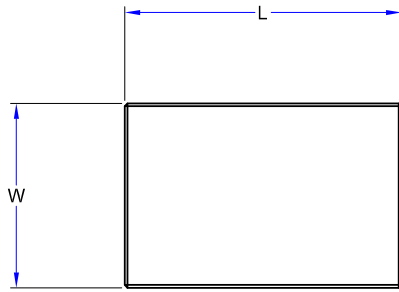
CAS-RN

RN-PPB3024D

PRO PREP BLOC

MODEL #	QTY
RN-PPB2424	
RN-PPB3024	
RN-PPB3624	
RN-PPB3030	

DETAILED SPECIFICATIONS



PRO PREP BLOC

MODEL #	SIZE	HEIGHT	WEIGHT (LBS)
RN-PPB2424	24" X 24" X 4"	36"	95
RN-PPB3024	30" X 24" X 4"	36"	98
RN-PPB3624	36" X 24" X 4"	36"	146
RN-PPB3030	30" X 30" X 4"	36"	102

SOME UNITS SHIP UNASSEMBLED FOR REDUCED SHIPPING COST. ALL DIMENSIONS ARE TYPICAL. TOLERANCE +/- .500"
 John Boos & Co. is constantly engaged in a program of improving products and therefore reserves the right to change specifications without prior notice.



3601 S. Banker St. • Effingham, IL 62401 • PO BOX 609 • quotes@johnboos.com

021318



www.johnboos.com

193