

robot coupe® R301 Ultra Commercial Food Processor

Combination Vegetable Prep and Vertical Cutter-Mixer



- Direct drive, fan-cooled, capacitor-type ½ H.P. motor.
- Instant motor brake.
- Stainless steel cutter bowl with handle.
- Attachments easily removed for cleaning.
- Two deep feed openings.
- Stainless steel cutting blades.
- New continuous feed unit with attached large feed pusher.
- Stock pot shaped cutter bowl.
- See-thru lid.
- Packed with two cutting blades as standard.
- Attractive, compact design.
- 1 year parts and labor warranty.

Prepare 600-800 servings in 2½ hours.

Vegetable prep attachment designed for quality, continuous feed slicing, shredding, grating and julienne. Accommodates 21 different processing plates.

Bowl attachment designed for vertical cutting and mixing: mix, chop, puree, blend, mix and knead doughs.

Robot Coupe U.S.A., Inc.
P.O. Box 16625
Jackson, MS 39236-6625
1-800-824-1646
www.robotcoupeusa.com
e-mail: robocoup@misnet.com
SPECIFICATIONS ON
REVERSE SIDE



robot coupe® R301 Ultra Commercial Food Processor

Specifications

STANDARD PACK: Includes motor base unit, stainless cutter bowl with stainless steel "S" blade, continuous feed unit with discharge plate, one medium 5/64" (2mm) grating plate and 5/32" (4mm) slicing plate.

ELECTRICAL: 115V, 60 Hz, 9 Amps.

MOTOR: 1/2 H.P direct drive, capacitor-type, fan-cooled, single phase, 1725 R.P.M.

SWITCHING: Advanced control panel incorporates new pulse switch, on-off magnetic interlock switches.

BOWL CAPACITY: 3-1/2 Quarts.

WEIGHT: 30 lbs. net, 40 lbs. approximate shipping weight.

OPTIONAL EQUIPMENT: Citrus juicer attachment, 19 additional processing plates. Free-standing plate rack holds 9 processing plates.

STANDARDS: UL-Electrical, ETL-Sanitation.

PROCESSING PLATES:

Slicing Plates

- R210 - 5/64" (2mm)
- R211 - 5/32" (4mm)
- R270 - 1/4" (6.5mm)
- R291 - 1/32" (1mm)
- R292 - 1/8" (3mm)
- R293 - 3/16" (5mm)

Grating Plates

- R271 - 1/64" (0.5mm) Hard Cheese
- R208 - 1/16" (1.5mm) Fine
- R209 - 5/64" (2mm) Medium
- R281 - 5/32" (4mm) Medium Coarse
- R280 - 1/4" (6.5mm) Coarse
- R215 - 5/16" (8mm) Extra Coarse

Pulping Plates

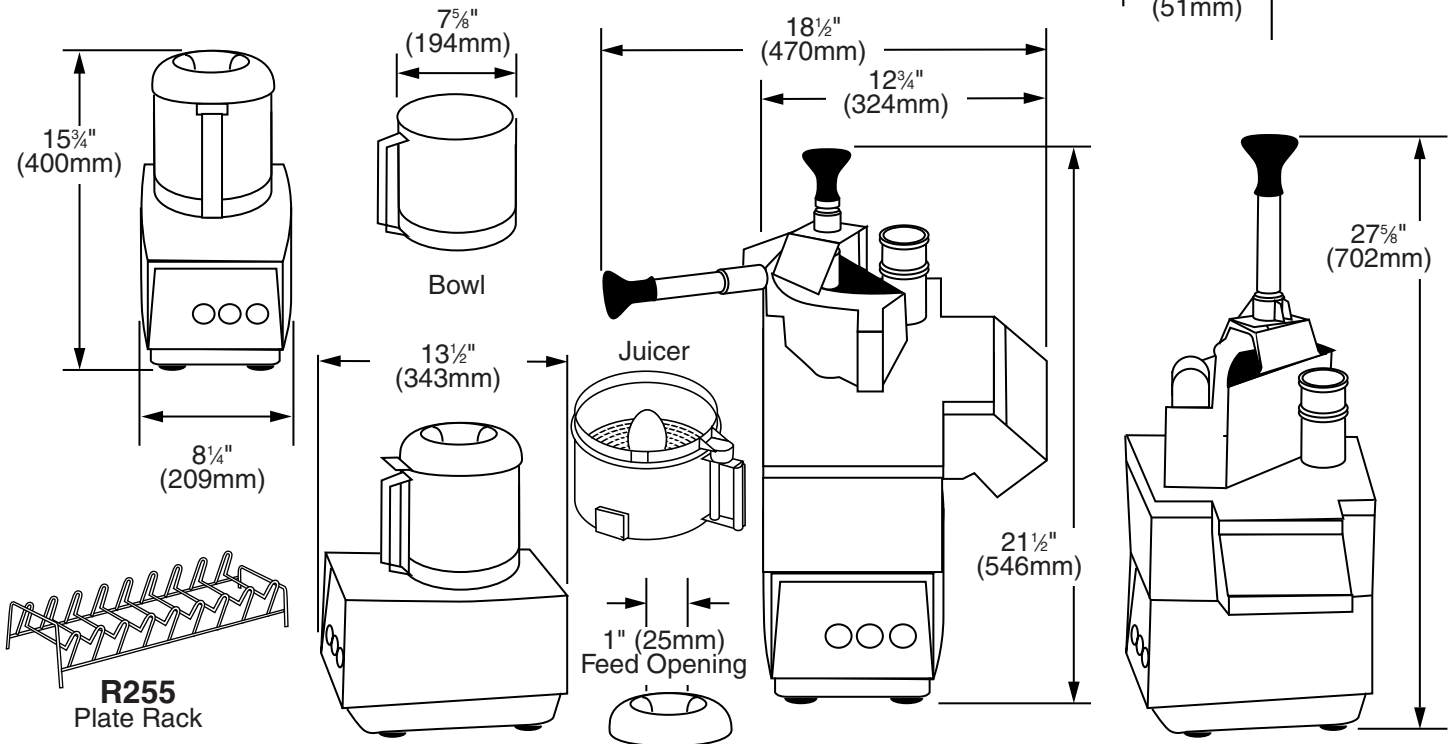
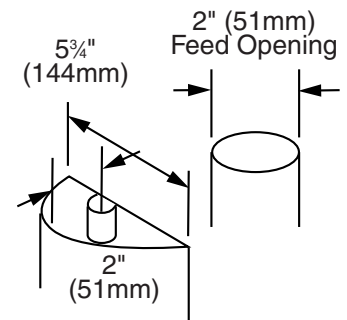
- R294 - 1/64" (.7mm) Pulping
- R295 - 1/32" (1mm) Pulping

Waved slicing plate

- R212 - 1/16" (1.5mm)

Julienne Plates

- R213 - 1/4" (6.5mm)
- R214 - 5/64" (2mm)
- R288 - 5/32" (4mm)
- R296 - 5/64" x 5/32" (2x4mm)
- R297 - 5/64" x 1/4" (2x6mm)
- R298 - 5/16" x 5/16" (8x8mm)



Robot Coupe U.S.A., Inc.
P.O. Box 16625
Jackson, MS 39236-6625
1-800-824-1646
www.robotcoupeusa.com
e-mail: robocoup@misnet.com

Distributed by: