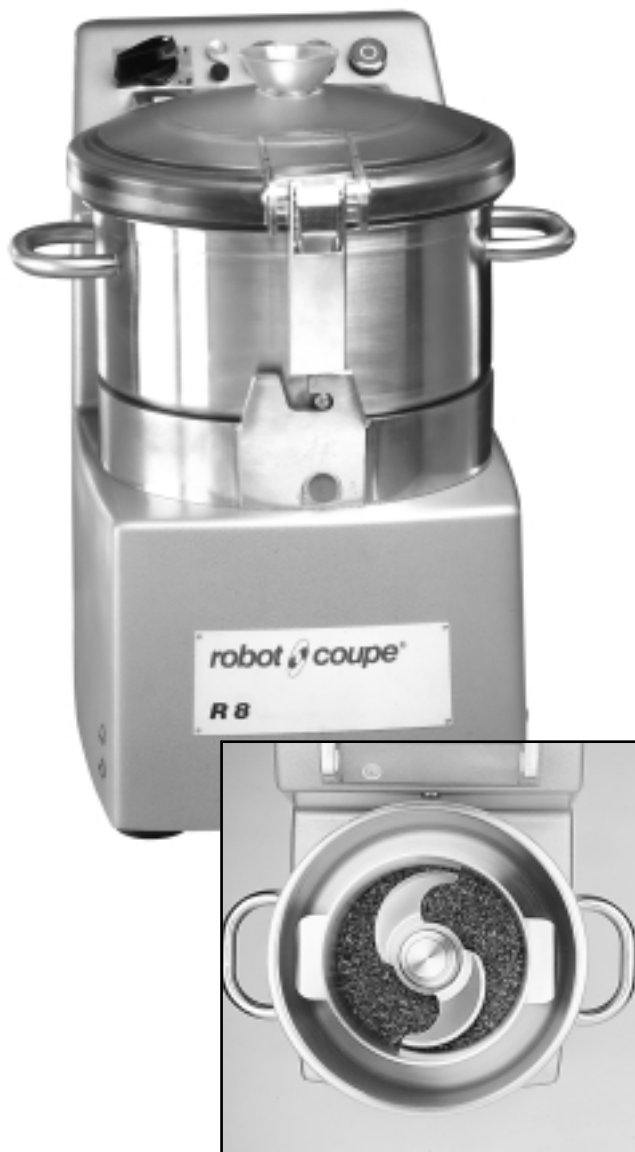


Stainless Steel Bowl with Adjustable “S” Blade



R8U—bowl-within-a-bowl

Bowl designed for vertical cutting and mixing in 8 quart quantities: puree, mix, chop, blend, mix and knead dough. R8U functions as above on 8 quart and 3½ quart bowls.

- R8 unit has 8 quart stainless steel cutter bowl with adjustable 2-blade knife assembly. R8U has 8 quart stainless steel bowl and knife assembly as well as 3½ quart stainless steel bowl with knife assembly to fit inside larger bowl for small and large processing in one machine.
- “Stock-pot” bowl shape.
- Adjustable blade to accommodate different foods and desired consistency.
- Cannot operate until bowl and lid are properly locked into position.
- “See-thru” lid has air tight seal and funnel.
- 3-phase, 2-speed motor. 2 HP on low speed, 3 HP on high speed
- Magnetic safety switch.
- Pulse control and power indicator lights.
- 1 year warranty on parts and labor.



Robot Coupe U.S.A., Inc.
P.O. Box 16625
Jackson, MS 39236-6625
1-800-824-1646
FAX: (601) 898-9134
www.robotcoupeusa.com
e-mail: robocoup@misnet.com
SPECIFICATIONS ON
REVERSE SIDE

Specifications

STANDARD MODEL: R8 - Motor unit with 8 qt. stainless steel cutter bowl and adjustable cutter blade.

R8U - same as R8 with additional 3½ qt. stainless steel bowl.

SWITCHING: Magnetic safety switch, lever speed control, pulse switch, push-button "on-off", and power indicator lights.

BOWL CAPACITIES: **R8** - 8 qts.
R8U - 8 qt. and 3½ qt. bowl.

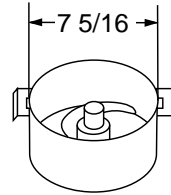
ELECTRICAL REQUIREMENTS: 208-240V, 60Hz, 8.2/8.3 Amp, 3-phase. Equipped with 20 Amp NEMA L15-20 plug. Requires minimum 20 Amp branch circuit protection. Contact your electrician for local code requirements.

MOTOR: 2-3 HP, 2-speed (1725/3450 RPM).

WEIGHT: Approximate shipping weight.
R8-110 lbs.
R8U-117 lbs.

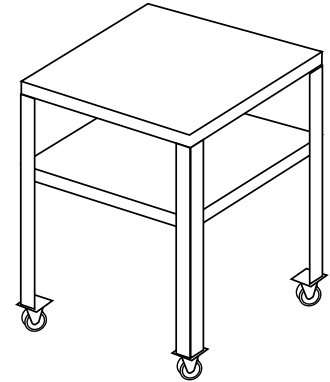
OPTIONAL EQUIPMENT: Serrated blade and blade assembly, equipment cart.

STANDARDS: ETL-Sanitation, ETL-Electrical.

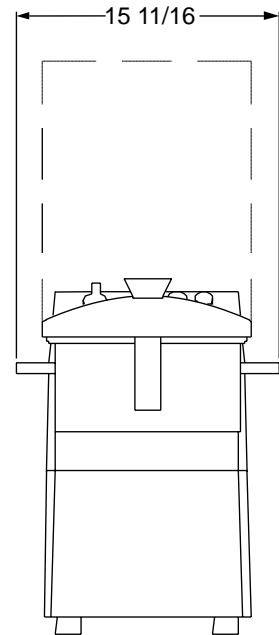
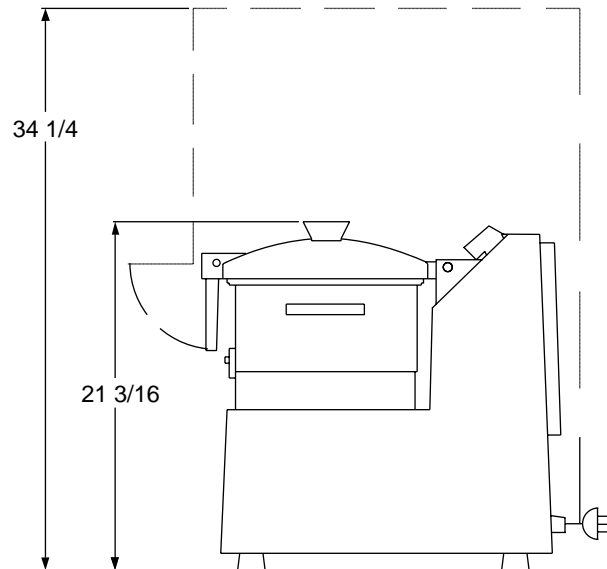
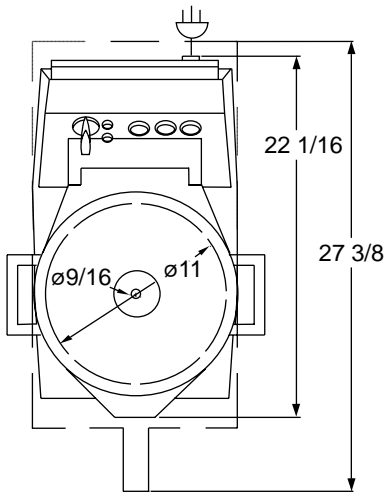
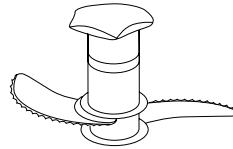


3½ qt. bowl

R8U071
Equipment Cart



2-blade assembly with serrated blades



Distributed by:

Robot Coupe U.S.A., Inc.
P.O. Box 16625
Jackson, MS 39236-6625
1-800-824-1646
FAX: (601) 898-9134
www.robotcoupeusa.com
e-mail: robocoup@misnet.com