



ITEM #: _____ QTY: _____
 MODEL #: _____
 PROJECT NAME: _____

051018

3601 S. Banker St. Effingham, IL 62401 • P.O. BOX 609 • Ph: (888) 431-2667 • Fax: (800) 433-2667

"SARB" SARATOGA FARM BLOCK

4" THICK BLOCK

FEATURES:

- NORTHERN HARD ROCK MAPLE 4" THICK END GRAIN TOP
- STANDARD WITH BOOS BLOCK CREAM FINISH WITH BEESWAX
- 2 CARTONS, UPSABLE
- OPTIONS: 4 - 2-1/2" COMMERCIAL GRADE LOCKING CASTERS: CAS03

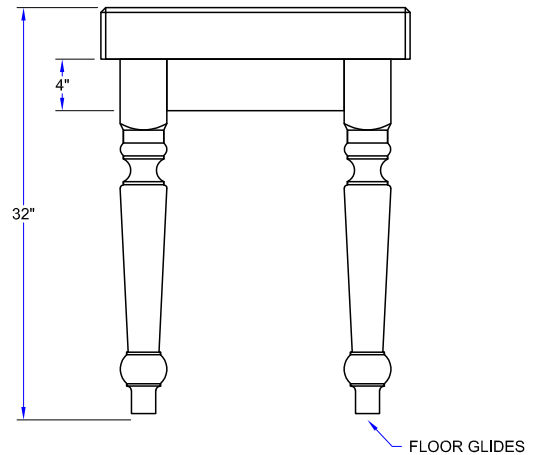
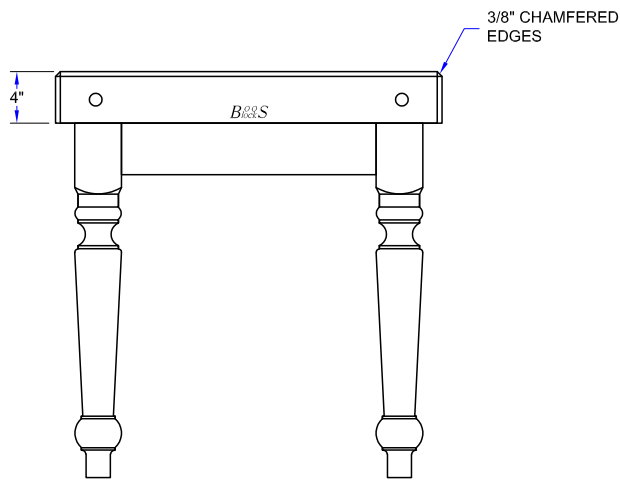
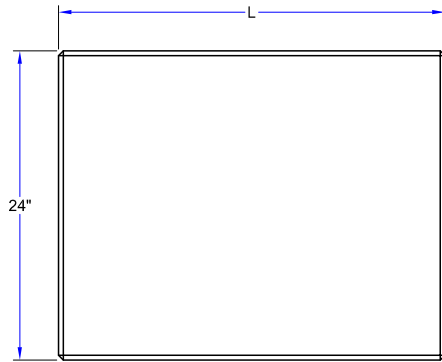


SARB1-M

SARATOGA FARM BLOCK

MODEL #	QTY
SARB1-M	
SARB2-M	

DETAILED SPECIFICATIONS



SARATOGA FARM BLOCK

MODEL #	SIZE	HEIGHT	WEIGHT (LBS)
SARB1-M	24" X 24" X 4"	32"	105
SARB2-M	30" X 24" X 4"	32"	120

SOME UNITS SHIP UNASSEMBLED FOR REDUCED SHIPPING COST. ALL DIMENSIONS ARE TYPICAL. TOLERANCE +/- .500"
 John Boos & Co. is constantly engaged in a program of improving products and therefore reserves the right to change specifications without prior notice.



Boos
locks

AQ AutoQuotes

3601 S. Banker St. • Effingham, IL 62401 • PO BOX 609 • quotes@johnboos.com

www.johnboos.com

012618