

**SBC490BI**

34.5" x 23.63" x 24.88" (H x W x D)

Full-sized built-in beer dispenser with black exterior and complete tap accessory kit

**Highlights:**

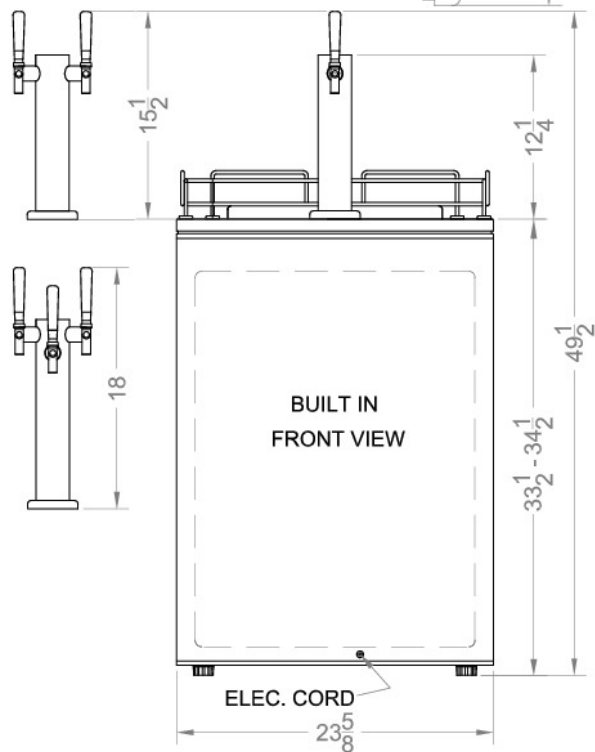
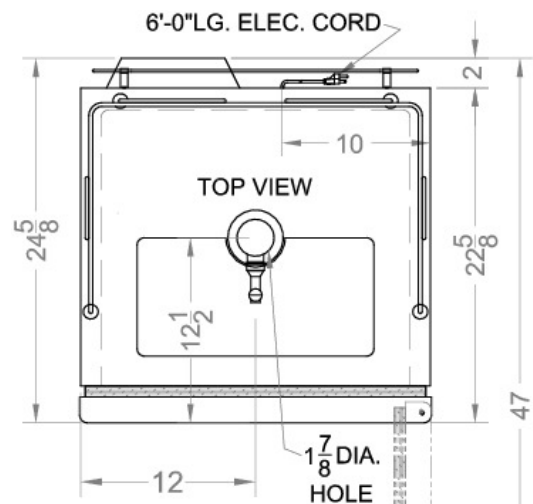
- Flexible design allows built-in or freestanding use
- Accepts half, quarter, and mini kegs of your favorite brew
- Includes everything you need to pour the perfect draft
- Converts to a refrigerator for added convenience



Full-sized	Large interior accepts half, quarter, and mini kegs
Built-in capability	Make the best use of space by installing your beer dispenser under the counter and flush with other cabinets
Fully finished black cabinet	Allows the beer dispenser to be used freestanding
KIT 490 included	Includes a 5lb. CO2 tank and regulator, draft arm, Sankey American tap, connection hardware, and cleaning kit
Convertible to a refrigerator	Transform the beer cooler into a standard refrigerator with adjustable shelves
Automatic defrost	Reduced user maintenance with auto defrost operation
Adjustable thermostat	Manage the interior temperature with ease and accuracy
Casters included	Make the beer cooler portable by installing this sturdy caster set to the base
Top guard rail included	If using the unit freestanding, install this silver rail on top to reduce spills and neaten service
100% CFC free	Environmentally friendly design without ozone-damaging chemicals

## Specifications:

Height	34.5"
Width	23.63"
Depth	24.88"
Capacity	6.4 cu.ft.
Interior Height 1	29.0"
Interior Width 1	21.25"
Interior Depth 1	18.75"
Shipping Weight	152.0 lbs.
Voltage/Frequency	115 V AC/60 Hz
Amps	1.7
Energy Usage/Year	418.0 kWh/year
US Electrical Safety	UL
Canadian Electrical Safety	ULC
Reversible	No
Door Swing	RHD
Shelf Quantity	2
Shelf Type	Wire
Defrost Type	Automatic
Depth with door at 90°	47.0"
Thermostat Type	Dial
Fan Type	Exterior
High Side PSI	280.0
Level Legs Quantity	4
Low Side PSI	88.0
Freon Type	R134a
Freon Oz	2.1
Parts/Labor Warranty	1 Year
Compressor Warranty	5 Years



Summit Appliance Division, Felix Storch, Inc.  
 770 Garrison Ave • Bronx, NY 10474  
 Phone: 718-893-3900 • Fax: 718-842-3093  
 Email: info@summitappliance.com